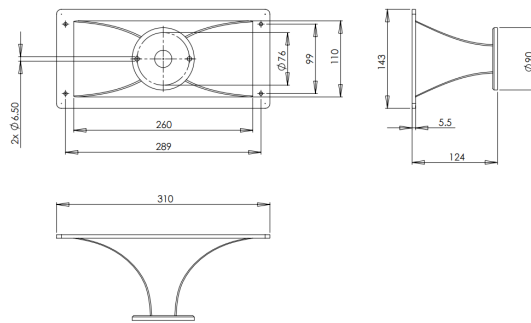
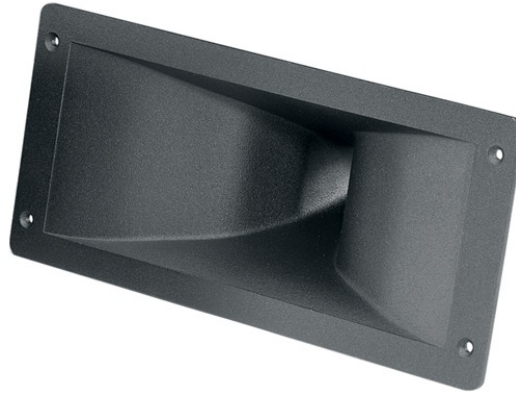


ME45

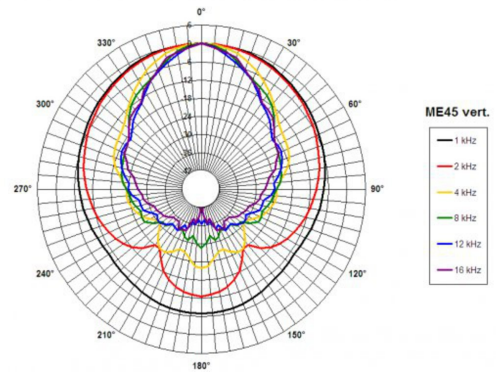
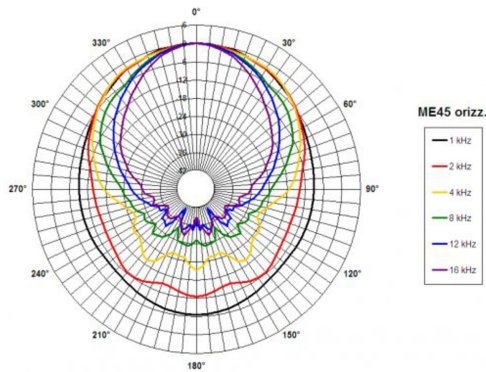
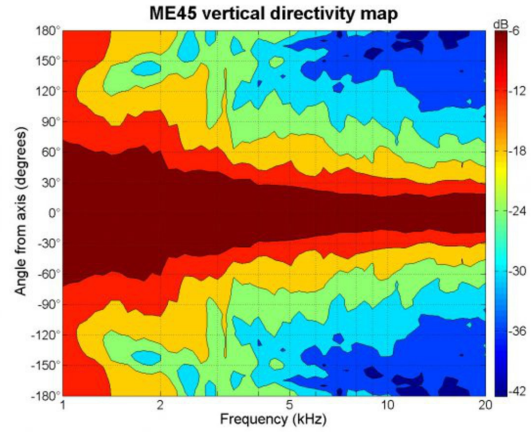
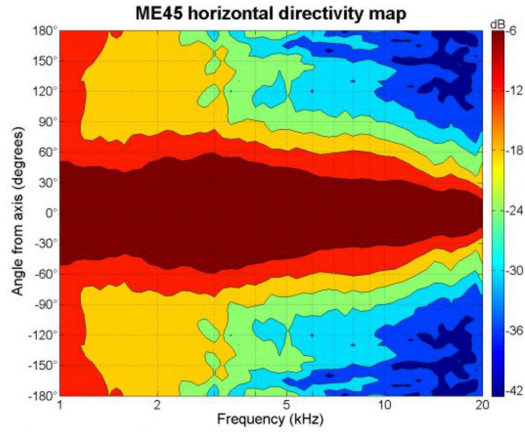
0Ω

Horns - 1.0 Inches

- 1" throat entry
- 90° x 40° nominal coverage
- Exponential flare
- Excellent loading down to 1 kHz

ME45

Horns- 1.0 Inches



SPECIFICATIONS¹

Throat Diameter	25 mm (1.0 in)
Nominal Coverage Horizontal	90 °
Nominal Coverage Vertical	40 °
Cutoff Frequency	1.0 kHz
Material	Cast Aluminium
Dimensions	310x140x124 mm (12.2x5.6x4.9 in)

MOUNTING AND SHIPPING INFO

Baffle Cutout Dimension	260x110 mm (10.2x4.3 in)
Air Volume Occupied by Driver	0.26 dm ³ (0.01 ft ³)
Net Weight	0.86 kg (1.9 lb)
Shipping Units	1
Shipping Weight	0.96 kg (2.12 lb)
Shipping Box	320x150x125 mm (12.60x5.91x4.92 in)
Other Details	2x 6.5 mm (0.255 in) holes 180° on 76 mm (3 in) diameter

1. Horn mounted on B&C DE 25 compression driver.