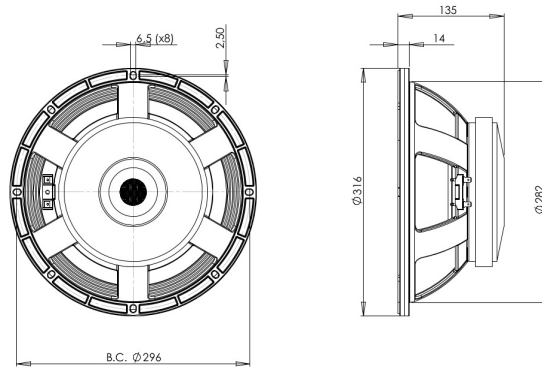


# 12MH801

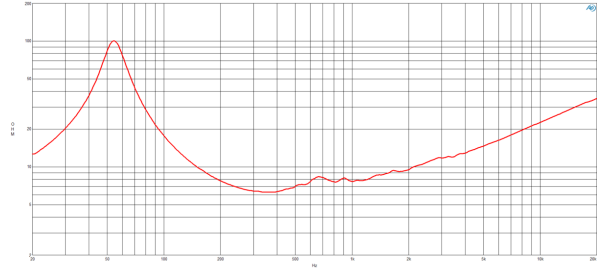
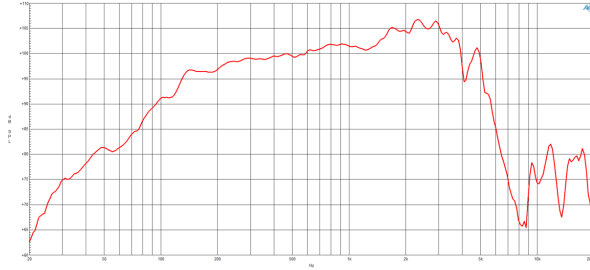
**8Ω****LF Drivers - 12.0 Inches**

- 700 W continuous program power capacity
- 76 mm (3 in) aluminum voice coil
- 55 - 5000 Hz response
- 100 dB sensitivity
- Aluminum demodulating ring allows a very low distortion figure



# 12MH801

LF Drivers- 12.0 Inches



## SPECIFICATIONS

Nominal Diameter	320 mm (12.0 in)
Nominal Impedance	8 Ω
Minimum Impedance	6.3 Ω
Nominal Power Handling <sup>1</sup>	350 W
Continuous power handling <sup>2</sup>	700 W
Sensitivity (1W/1m) <sup>3</sup>	100.0 dB
Frequency Range	55 - 5000 Hz
Voice Coil Diameter	76 mm (3.0 in)
Winding Material	Aluminum
Former Material	Glass Fibre
Winding Depth	16.0 mm (0.63 in)
Magnetic Gap Depth	8.0 mm (0.31 in)
Flux Density	1.45 T

## DESIGN

Surround Shape	Accordion
Cone Shape	Radial
Magnet Material	Ferrite
Spider	Single
Pole Design	T-Pole
Woofer Cone Treatment	None

## PARAMETERS<sup>4</sup>

Resonance Frequency	53 Hz
Re	5.0 Ω
Qes	0.22
Qms	5.6
Qts	0.21
Vas	76.0 dm <sup>3</sup> (2.68 ft <sup>3</sup> )
Sd	522.0 cm <sup>2</sup> (80.91 in <sup>2</sup> )
η <sub>o</sub>	4.82 %
Xmax	± 6.0 mm
Xvar	± 7.0 mm
Mms	46.0 g
Bl	18.6 T·m
Le	0.57 mH
EBP	240 Hz

## MOUNTING AND SHIPPING INFO

Overall Diameter	316 mm (12.44 in)
Bolt Circle Diameter	296 mm (11.6 in)
Baffle Cutout Diameter	282.0 mm (11.1 in)
Depth	135 mm (5.31 in)
Flange and Gasket Thickness	14 mm (0.55 in)
Air Volume Occupied by Driver	3.3 dm <sup>3</sup> (0.12 ft <sup>3</sup> )
Net Weight	7.4 kg (16.31 lb)
Shipping Units	1
Shipping Weight	8.3 kg (18.3 lb)
Shipping Box	360x360x200 mm (14.17x14.17x7.87 in)

## SERVICE KIT

Recone kit	RCK12MH8018
------------	-------------

1. 2 hours test made with continuous pink noise signal within the range Fs-10Fs. Power calculated on rated minimum impedance. Loudspeaker in free air.
2. Power on Continuous Program is defined as 3 dB greater than the Nominal rating.
3. Applied RMS Voltage is set to 2.83 V for 8 ohms Nominal Impedance.
4. Thiele-Small parameters are measured after a high level 20 Hz sine wave preconditioning test.

**B&C Speakers s.p.a.**

Via Poggiomoro, 1 - Loc. Vallina, 50012 Bagno a Ripoli (FI) - ITALY - Tel. +39 055 65721 - Fax +39 055 6572312 - mail@bcspeakers.com