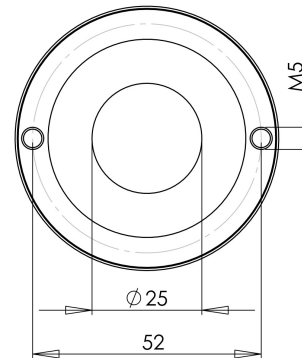
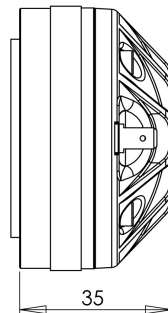
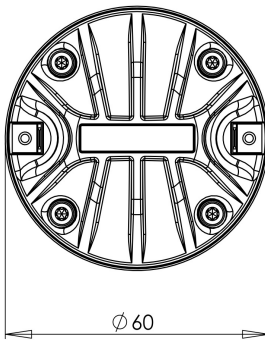


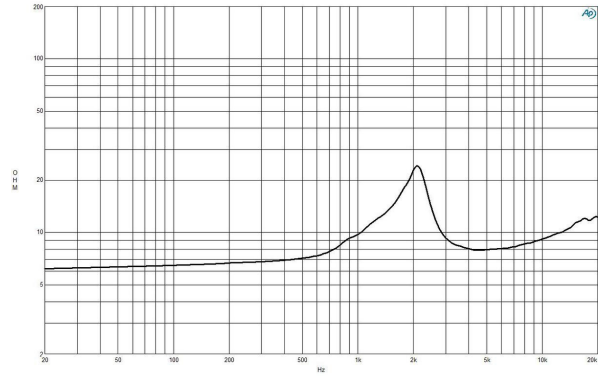
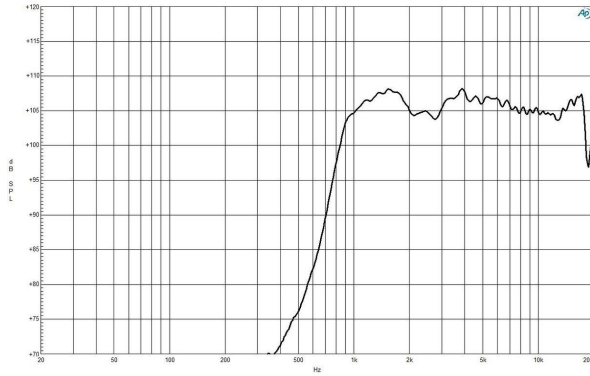
# DE110

**8Ω****HF Drivers - 1.0 Inches**

- 50 W continuous program power capacity
- Ultra Compact 60mm diameter
- 1" horn throat diameter
- 36 mm (1.4 in) aluminium voice coil
- HT Polymer diaphragm
- 2000 - 18000 Hz response
- 106 dB sensitivity

# DE110

## HF Drivers- 1.0 Inches



### SPECIFICATIONS<sup>1</sup>

Throat Diameter	25 mm (1.0 in)
Nominal Impedance	8 Ω
Minimum Impedance	8.0 Ω
Nominal Power Handling <sup>2</sup>	25 W
Continuous power handling <sup>3</sup>	50 W
Sensitivity (1W/1m) <sup>4</sup>	106.0 dB
Frequency Range	2.0 - 18.0 kHz
Recommended Crossover <sup>5</sup>	2.0 kHz
Voice Coil Diameter	36 mm (1.4 in)
Winding Material	Aluminium
Inductance	0.14 mH
Diaphragm Material	HT Polymer
Flux Density	1.8 T
Magnet Material	Neodymium Ring

### MOUNTING AND SHIPPING INFO

Two M5 holes 180° on 52 mm (2.05 in) diameter	
Overall Diameter	60 mm (2.36 in)
Depth	35 mm (1.38 in)
Net Weight	0.32 kg (0.71 lb)
Shipping Units	1
Shipping Weight	0.35 kg (0.76 lb)
Shipping Box	105x105x65 mm (4.13x4.13x2.56 in)

### SERVICE KIT

Replacement diaphragm	MMDDE1108
-----------------------	-----------

1. Driver mounted on B&C ME 45 horn.
2. 2 hour test made with continuous pink noise signal within the range from the recommended crossover frequency to 20 kHz. Power calculated on rated minimum impedance.
3. Power on Continuous Program is defined as 3 dB greater than the Nominal rating.
4. Applied RMS Voltage is set to 2.83 V for 8 ohms Nominal Impedance.
5. 12 dB/oct. or higher slope high-pass filter.