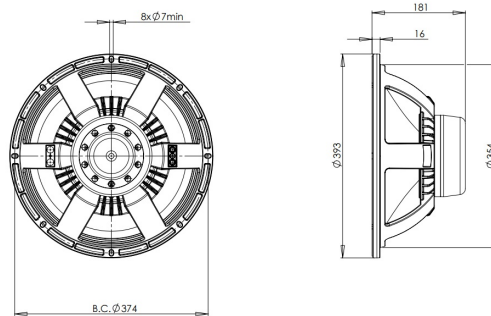


# 15NW100

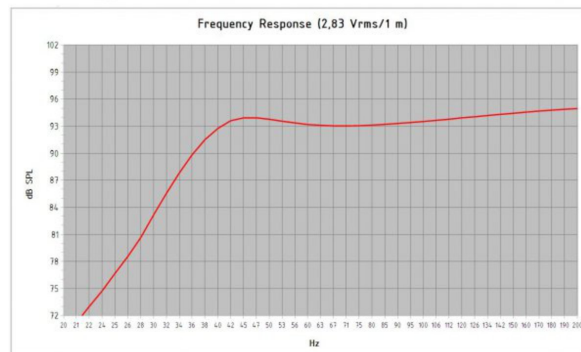
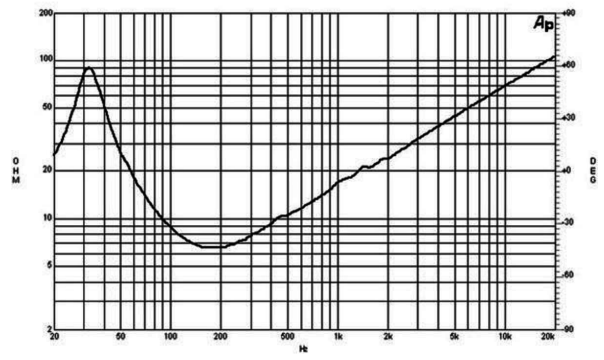
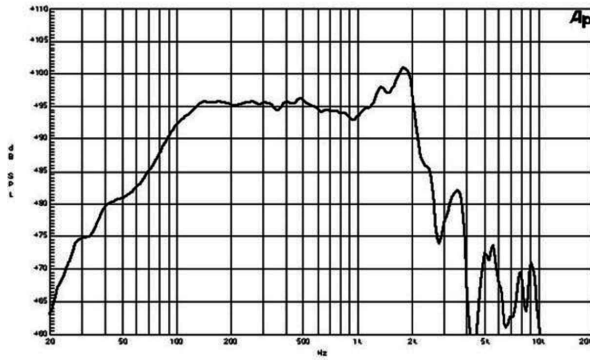
**8Ω****LF Drivers** - 15.0 Inches

- 2000 W continuous program power capacity
- 100 mm (4 in) copper voice coil
- 35 - 1500 Hz response
- 97 dB sensitivity
- FEA optimized Neodymium magnet assembly
- Double silicone spider with optimized compliance
- Ventilated voice coil gap for reduced power compression



# 15NW100

LF Drivers- 15.0 Inches



Model: **15 NW 100**  
 Enclosure Type: **Bass Reflex**  
 Internal Net Volume (Liters): **100**  
 Tuning Frequency (Hz): **40**  
 Frequency (-3 dB) (Hz): **40.5**  
 Port Area (cm<sup>2</sup>): **222.3**  
 Port Length (cm): **27.1**  
 Excursion Limited Maximum SPL at 1 meter (dB): **121.0** equal to **414.8** Watts (Bass Band Power Rating)  
 Thermal Limited Maximum SPL at 1 meter (dB): **124.8** equal to **1000.0** Watts (Mid Band Power Rating)

## SPECIFICATIONS

Nominal Diameter	380 mm (15.0 in)
Nominal Impedance	8 Ω
Minimum Impedance	6.2 Ω
Nominal Power Handling <sup>1</sup>	1000 W
Continuous power handling <sup>2</sup>	2000 W
Sensitivity (1W/1m) <sup>3</sup>	97.0 dB
Frequency Range	35 - 1500 Hz
Voice Coil Diameter	100 mm (4.0 in)
Winding Material	Copper
Former Material	Glass Fibre
Winding Depth	25.0 mm (1.0 in)
Magnetic Gap Depth	12.0 mm (0.5 in)
Flux Density	1.2 T

## DESIGN

Surround Shape	Triple Roll
Cone Shape	Radial
Magnet Material	Neodymium Inside Slug
Spider	Double Silicone
Pole Design	T-Pole
Woofers Cone Treatment	TWP Waterproof Both Sides
Recommended Enclosure	100.0 dm <sup>3</sup> (3.53 ft <sup>3</sup> )
Recommended Tuning	40 Hz

## PARAMETERS<sup>4</sup>

Resonance Frequency	33 Hz
Re	5.1 Ω
Qes	0.23
Qms	4.3
Qts	0.22
Vas	139.0 dm <sup>3</sup> (4.9 ft <sup>3</sup> )
Sd	855.0 cm <sup>2</sup> (132.5 in <sup>2</sup> )
η <sub>o</sub>	2.1 %
X <sub>max</sub>	± 9.0 mm
X <sub>var</sub>	± 11.0 mm
M <sub>ms</sub>	173.0 g
Bl	28.0 Txm
Le	1.9 mH
EBP	143 Hz

B&C Speakers s.p.a.

Via Poggiomoro, 1 - Loc. Vallina, 50012 Bagno a Ripoli (FI) - ITALY - Tel. +39 055 65721 - Fax +39 055 6572312 - mail@bcspeakers.com

**MOUNTING AND SHIPPING INFO**

Overall Diameter	393 mm (15.5 in)
Bolt Circle Diameter	374 mm (14.7 in)
Baffle Cutout Diameter	354.0 mm (13.9 in)
Depth	181 mm (7.1 in)
Flange and Gasket Thickness	16 mm (0.62 in)
Air Volume Occupied by Driver	6.0 dm <sup>3</sup> (0.21 ft <sup>3</sup> )
Net Weight	8.65 kg (19.07 lb)
Shipping Units	1
Shipping Weight	9.95 kg (21.94 lb)
Shipping Box	425x425x224 mm (16.73x16.73x8.82 in)

**SERVICE KIT**

Recone kit	RCK15NW1008
------------	-------------

1. 2 hours test made with continuous pink noise signal within the range Fs-10Fs. Power calculated on rated minimum impedance. Loudspeaker in free air.
2. Power on Continuous Program is defined as 3 dB greater than the Nominal rating.
3. Applied RMS Voltage is set to 2.83 V for 8 ohms Nominal Impedance.
4. Thiele-Small parameters are measured after a high level 20 Hz sine wave preconditioning test.