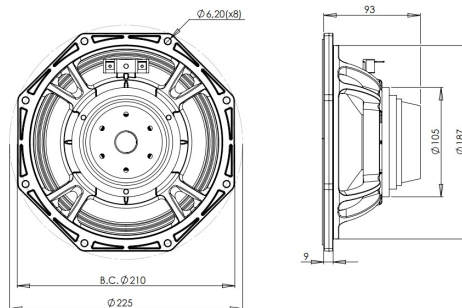


# 8MBX51

**8Ω****LF Drivers - 8.0 Inches**

- Product Preview - Coming Soon....
- 400 W continuous program power capacity
- 50 mm (2 in) copper voice coil
- 60 - 4000 Hz response
- 96.5 dB sensitivity
- Neodymium ring magnet assembly
- Aluminium ring allows a very low distortion figure
- Ventilated voice coil gap for reduced power compression

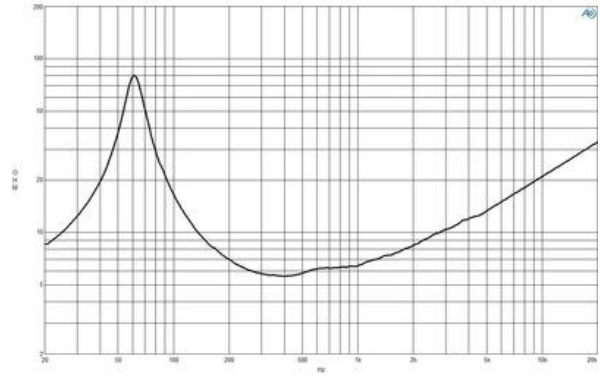
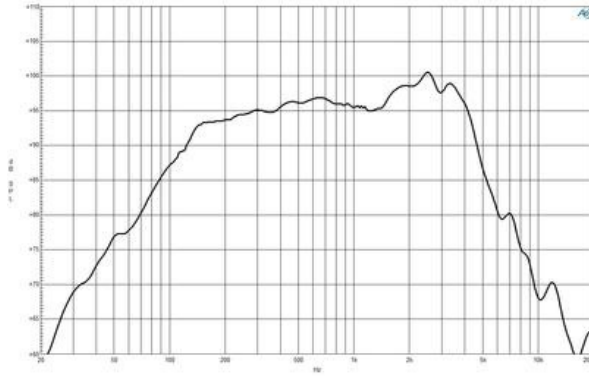


## Title

The MBX series mid-bass woofers from B&C Speakers offer acoustic designers a new range of high efficiency, wide bandwidth alternatives that are not currently available in the B&C range. These full-featured transducers incorporate lightweight neodymium motors, inside/outside wound copper clad aluminum wire voice coils, weatherproof impregnated paper cones, and a symmetrical inductance profile. The MBX Series is especially well suited for two-way loudspeaker enclosures.

# 8MBX51

## LF Drivers- 8.0 Inches



### SPECIFICATIONS

Nominal Diameter	200 mm (8.0 in)
Nominal Impedance	8 $\Omega$
Minimum Impedance	5.9 $\Omega$
Nominal Power Handling <sup>1</sup>	200 W
Continuous Power Handling <sup>2</sup>	400 W
Sensitivity <sup>3</sup>	96.5 dB
Frequency Range	60 - 4000 Hz
Voice Coil Diameter	51 mm (2.0 in)
Winding Material	Aluminium
Former Material	Glass Fibre
Winding Depth	15.0 mm (0.59 in)
Magnetic Gap Depth	7.0 mm (0.28 in)
Flux Density	1.3 T

### DESIGN

Surround Shape	Triple Roll
Cone Shape	Curvilinear
Magnet Material	Neodymium Ring
Spider	Single
Pole Design	T-Pole
Woofer Cone Treatment	Waterproof Impregnated Cone
Recommended Enclosure	19.0 dm <sup>3</sup> (0.67 ft <sup>3</sup> )
Recommended Tuning	63 Hz

### PARAMETERS<sup>4</sup>

Resonance Frequency	60 Hz
Re	4.9 $\Omega$
Qes	0.31
Qms	5.6
Qts	0.29
Vas	23.0 dm <sup>3</sup> (0.81 ft <sup>3</sup> )
Sd	220.0 cm <sup>2</sup> (34.1 in <sup>2</sup> )
$\eta_0$	1.7 %
Xmax	6.0 mm
Xvar	8.0 mm
Mms	20.0 g
Bl	11.4 Txm
Le	0.4 mH
EBP	193 Hz

### MOUNTING AND SHIPPING INFO

Overall Diameter	225 mm (8.86 in)
Bolt Circle Diameter	210 mm (8.27 in)
Baffle Cutout Diameter	187.0 mm (7.36 in)
Depth	93 mm (3.66 in)
Flange and Gasket Thickness	9 mm (0.35 in)
Air Volume Occupied by Driver	1.1 dm <sup>3</sup> (0.04 ft <sup>3</sup> )
Net Weight	1.8 kg (3.97 lb)
Shipping Units	1
Shipping Weight	2.25 kg (4.96 lb)
Shipping Box	255x255x150 mm (10.04x10.04x5.91 in)

### SERVICE KIT

RCK008MBX518

- 2 hours test made with continuous pink noise signal (6 dB crest factor) within the range Fs-10Fs. Power calculated on rated minimum impedance. Loudspeaker in free air.
- Power on Continuous Program is defined as 3 dB greater than the Nominal rating.
- Applied RMS Voltage is set to 2.83 V for 8 ohms Nominal Impedance.
- Thiele-Small parameters are measured after a high level 20 Hz sine wave preconditioning test.