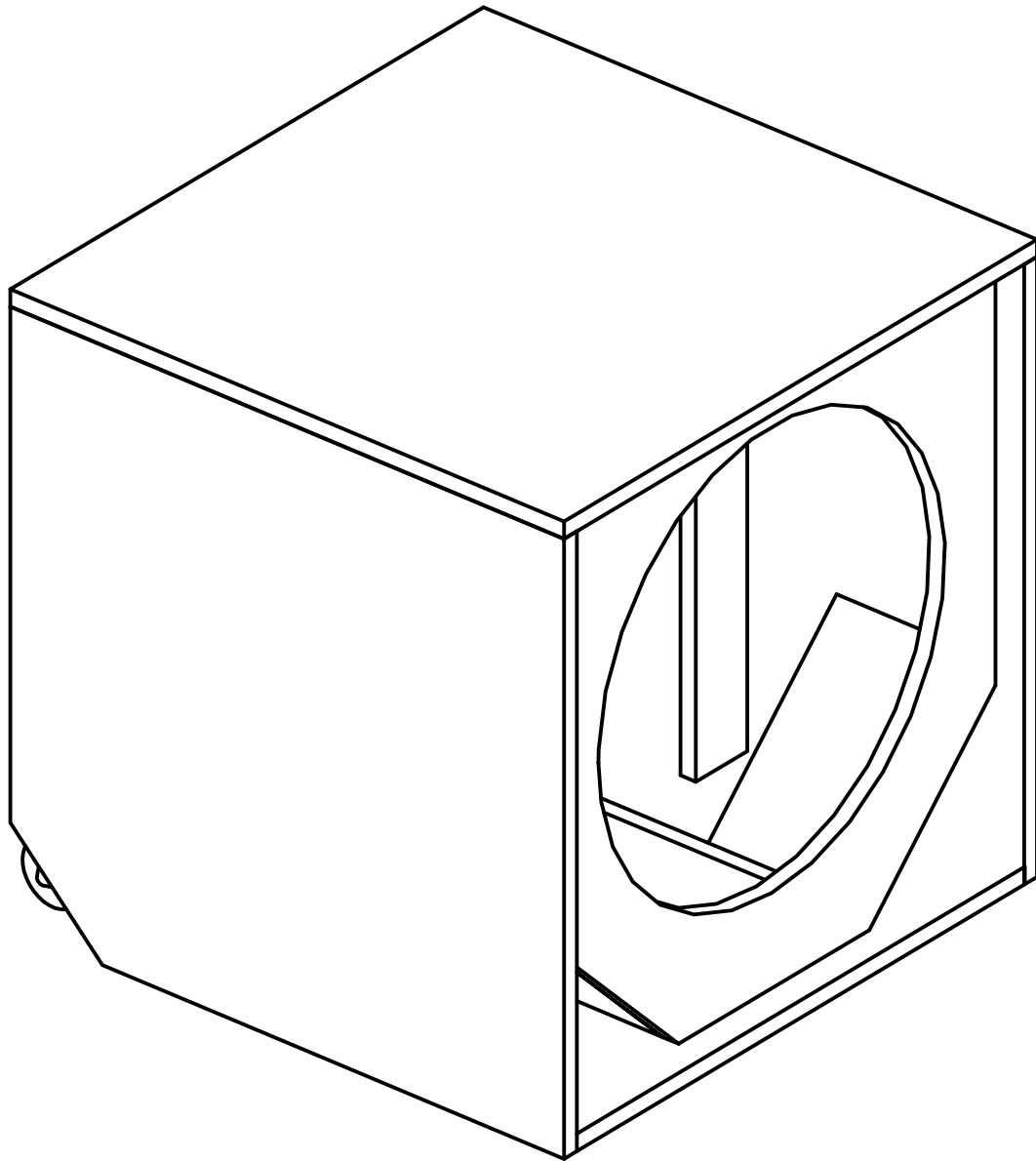




# S21AN

B&C Component Options  
21SW115 8 ohm

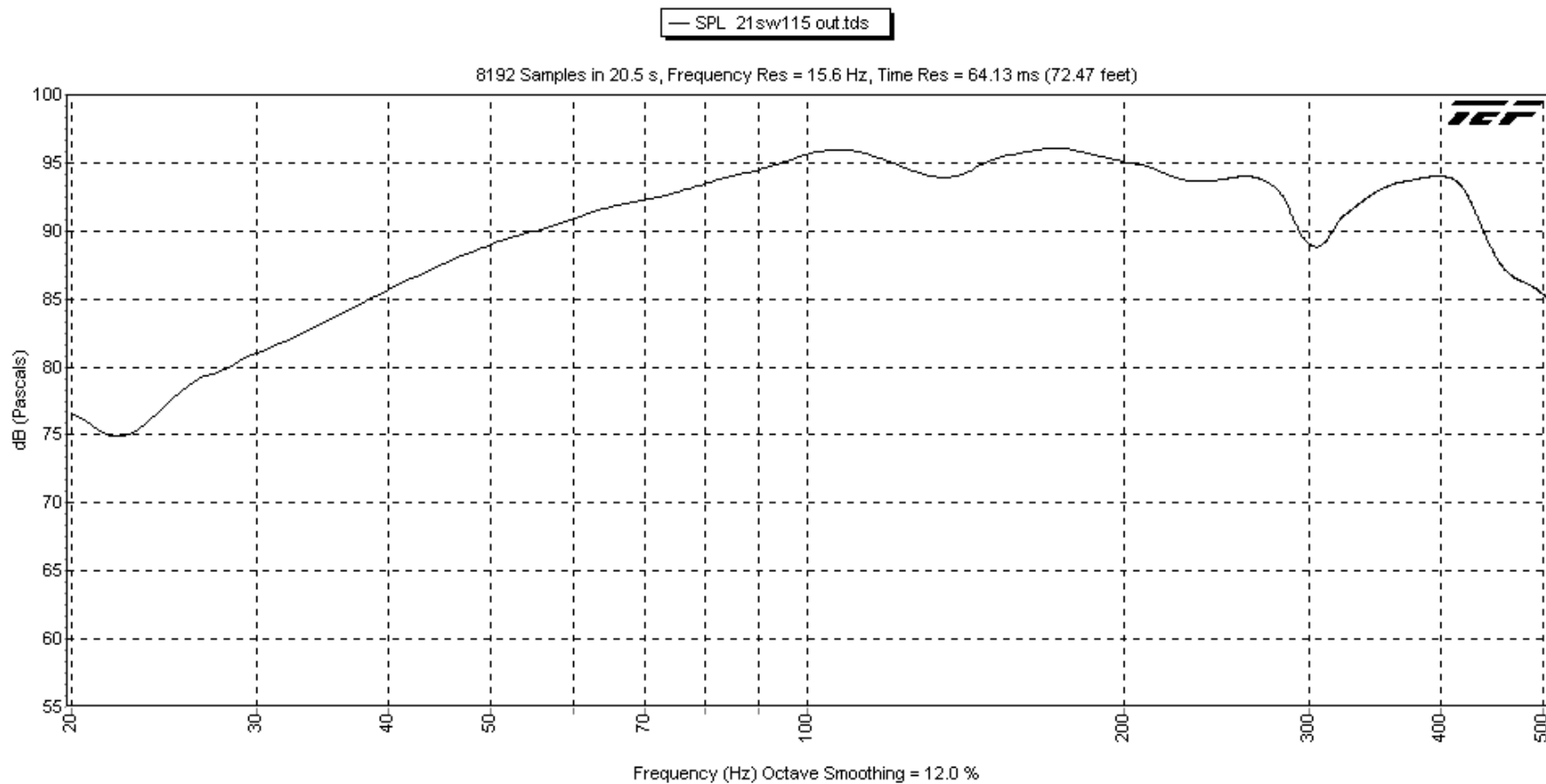
[www.bcspeakers.com](http://www.bcspeakers.com)



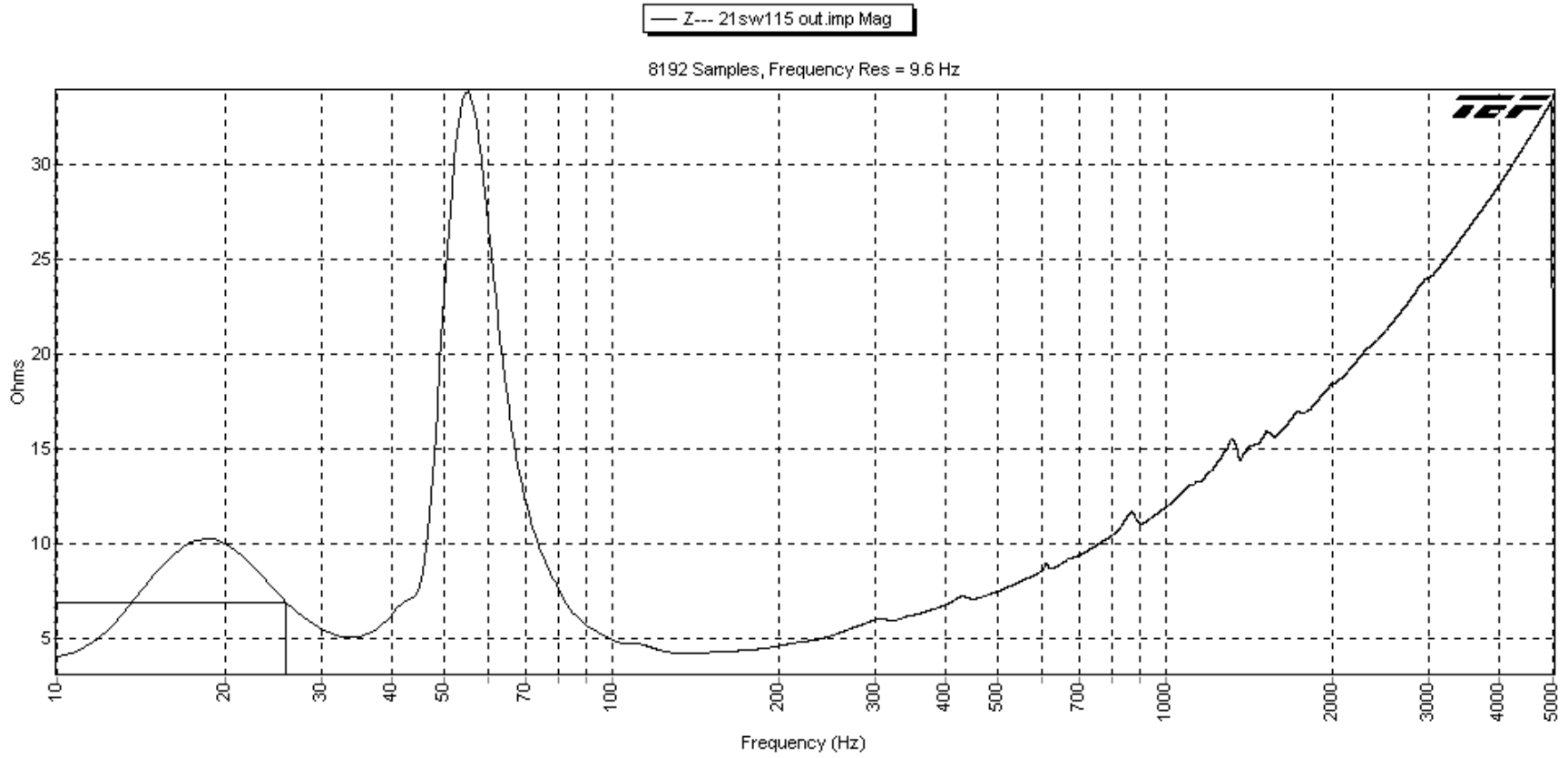
S21AN

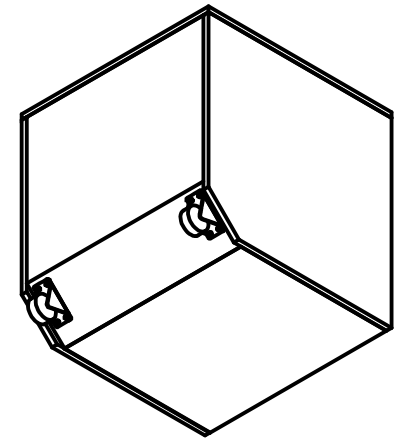
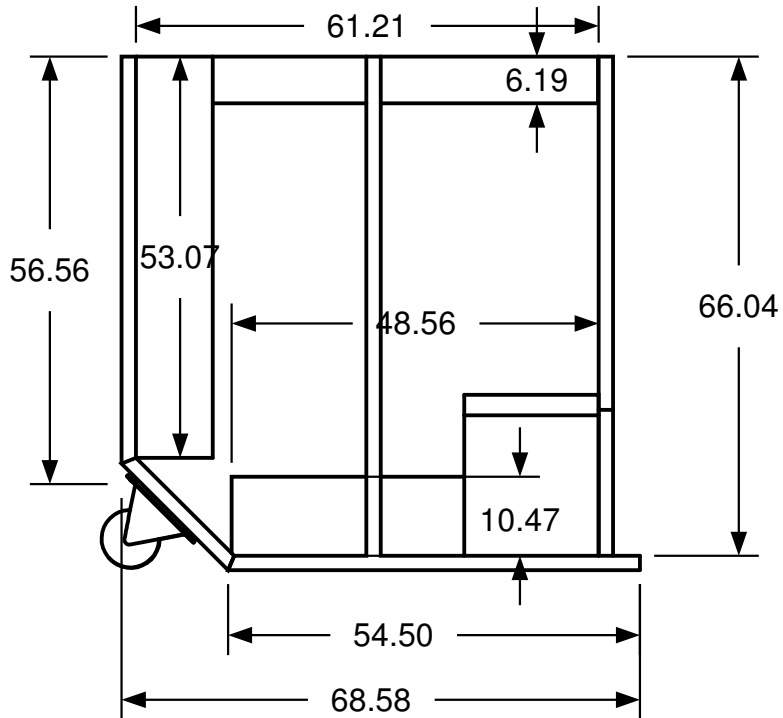
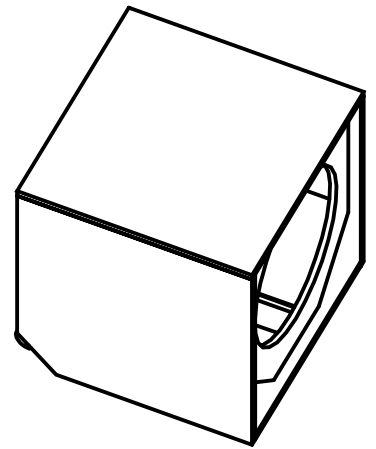
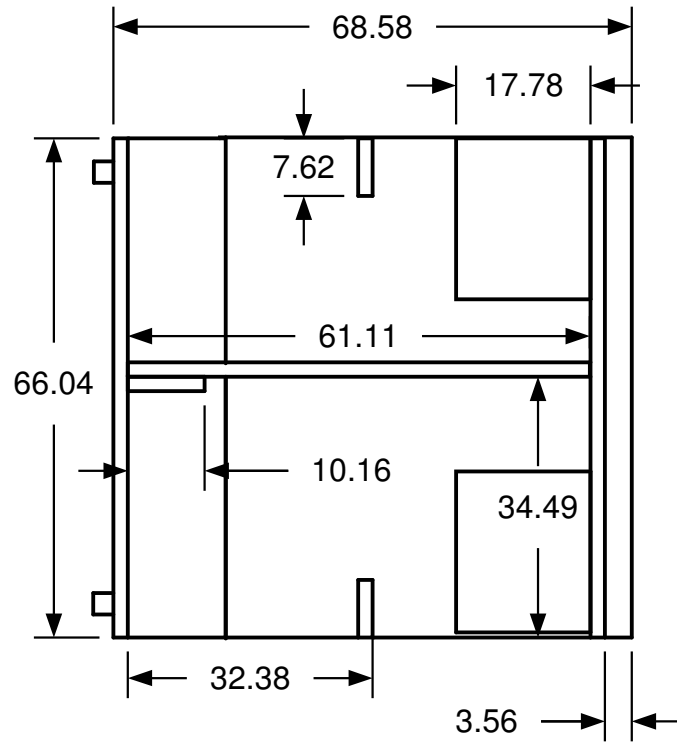
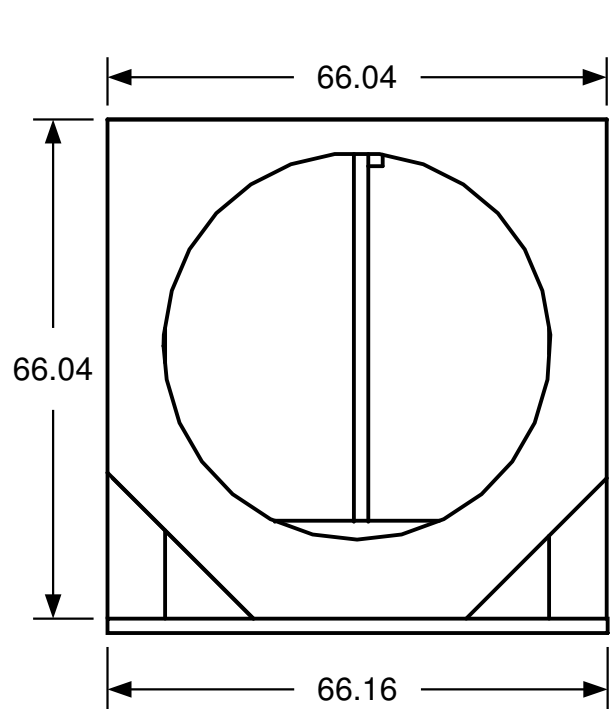
Material 18mm Birch Plywood

SPL 21sw115 out  
12/9/09 2:40:22 AM out  
2v

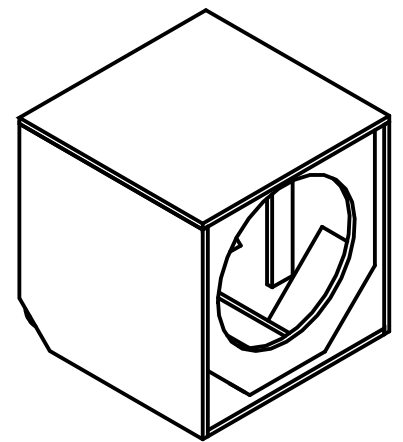
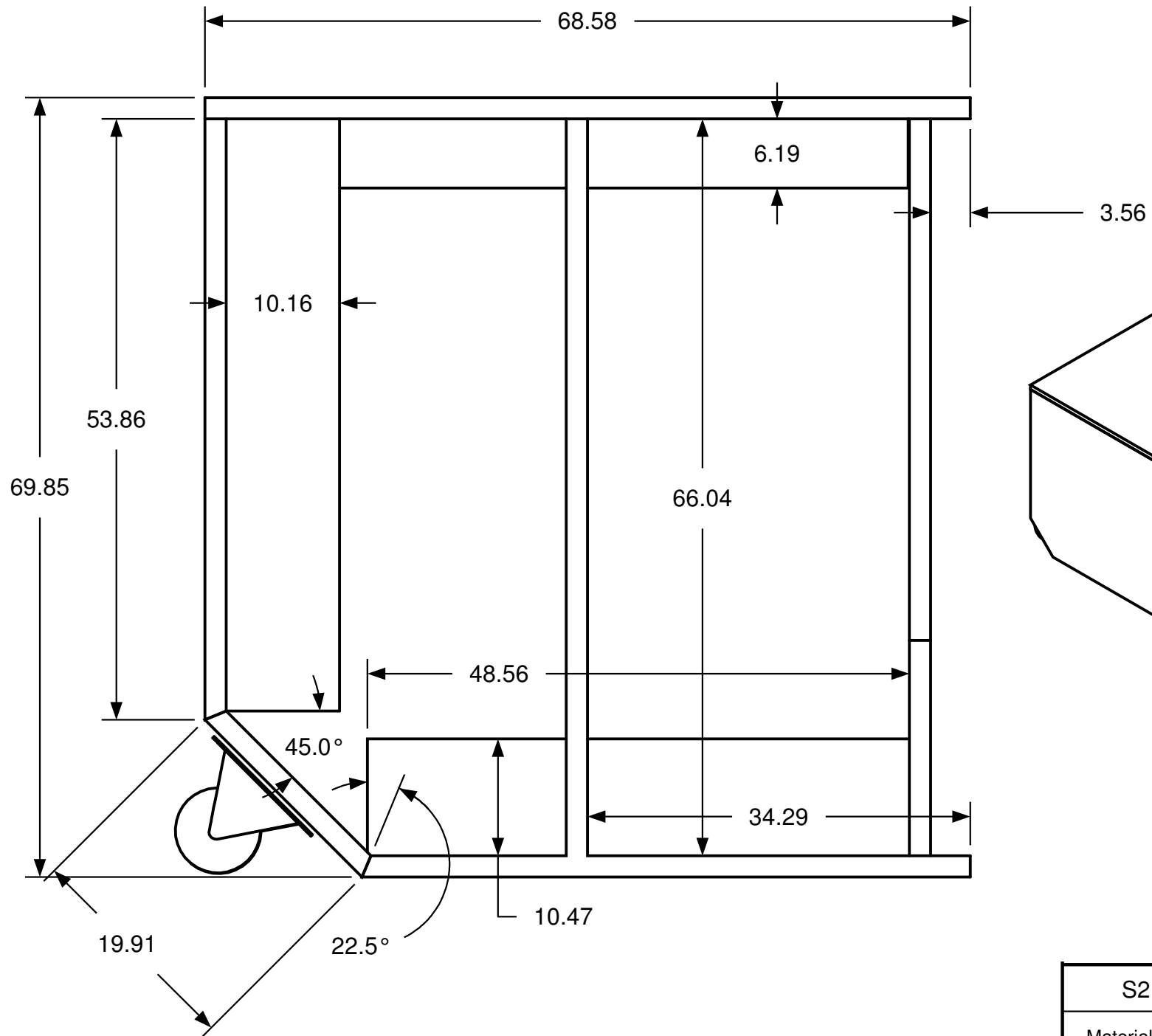


Z--- 21sw115 out  
out 12/9/09 3:06:10 AM  
2v  
Cursor = 6.9 dB at 25.8 Hz ( degs)

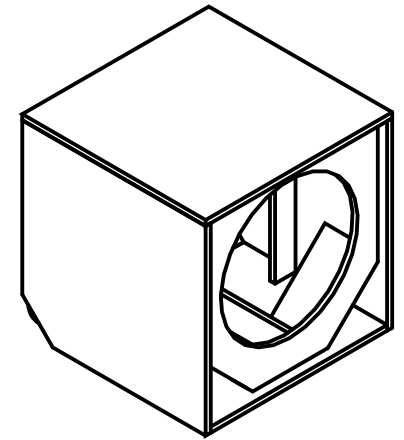
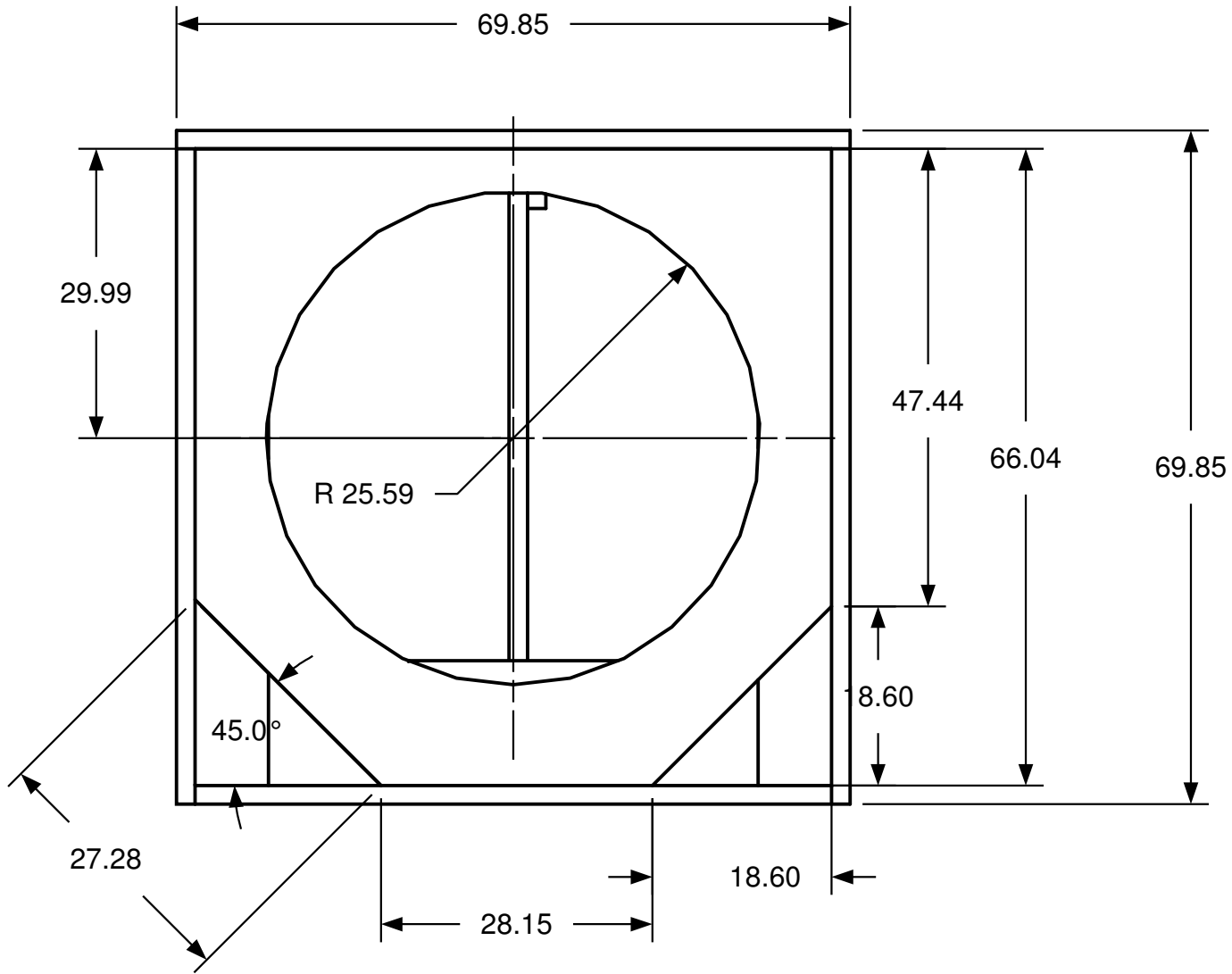




S21AN interior parts
Material 18mm Birch Plywood



S21AN SIDE VIEW
Material 18mm Birch Plywood



S21AN Baffle
Material 18mm Birch Plywood