



F152A

Full Range Enclosure

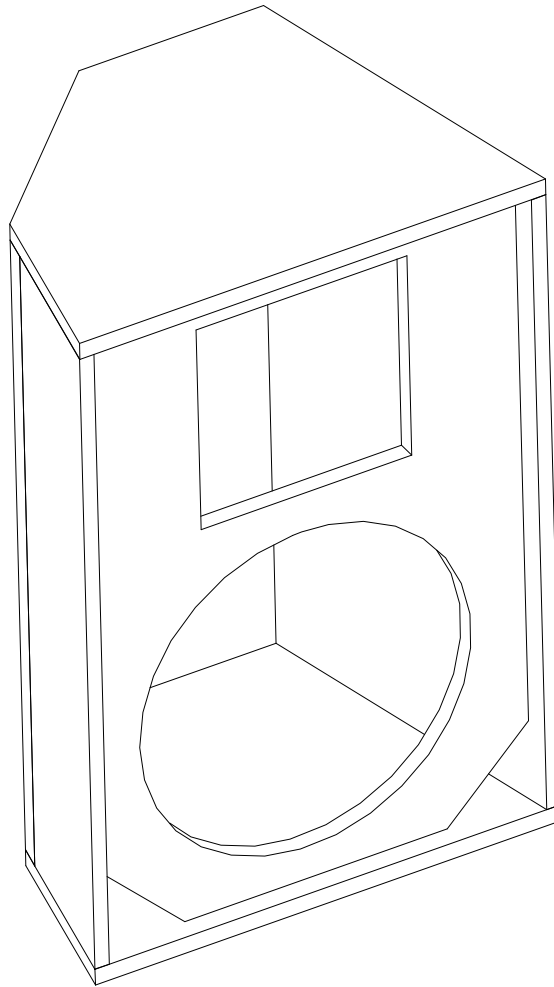
B&C Component Options

15" Woofer – 15PLB76 8 ohm

1.4" High Frequency Driver – DE82TN 8 ohm

80°x60° 1.4" Horn – ME90

www.bcspeakers.com



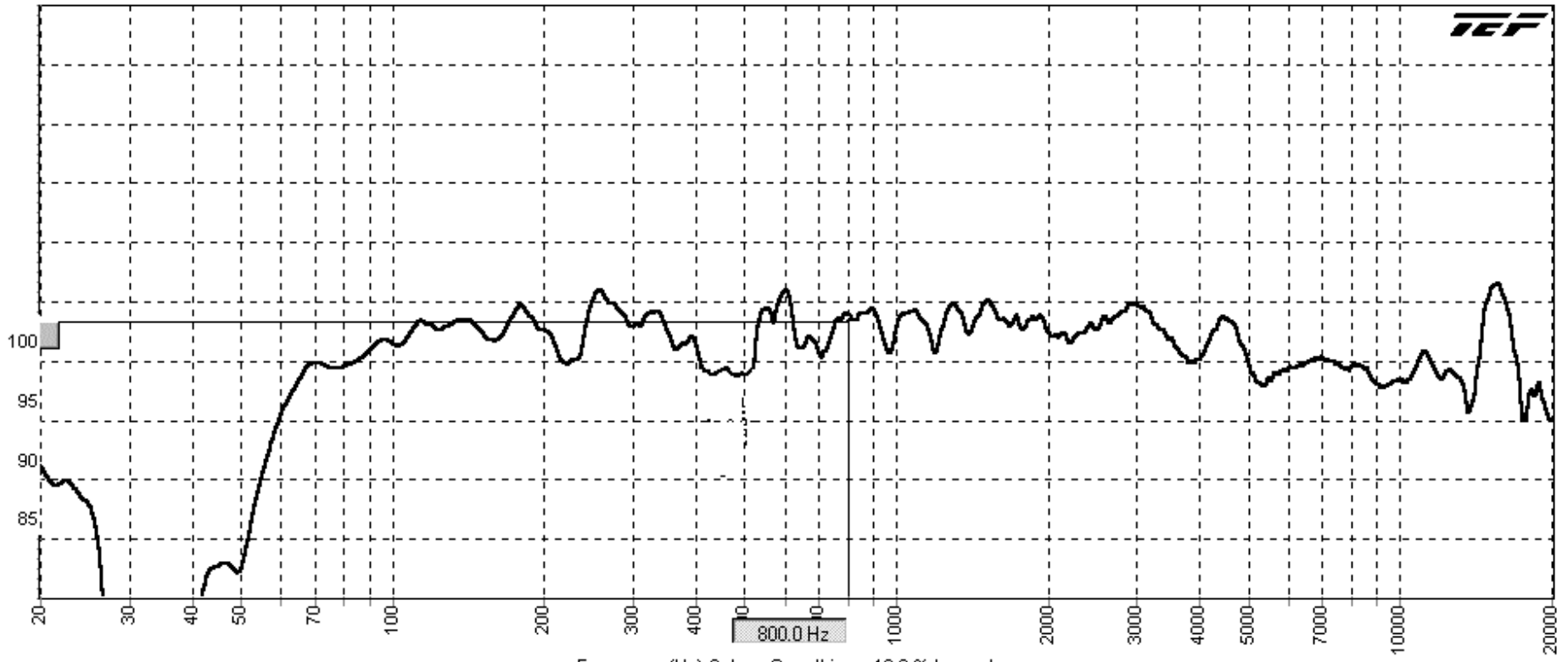
F152A

Material 18mm Birch Plywood

F152A

— SPL LOW + net aug 5 2010.tds — SPL hi +net aug 5 2010.tds

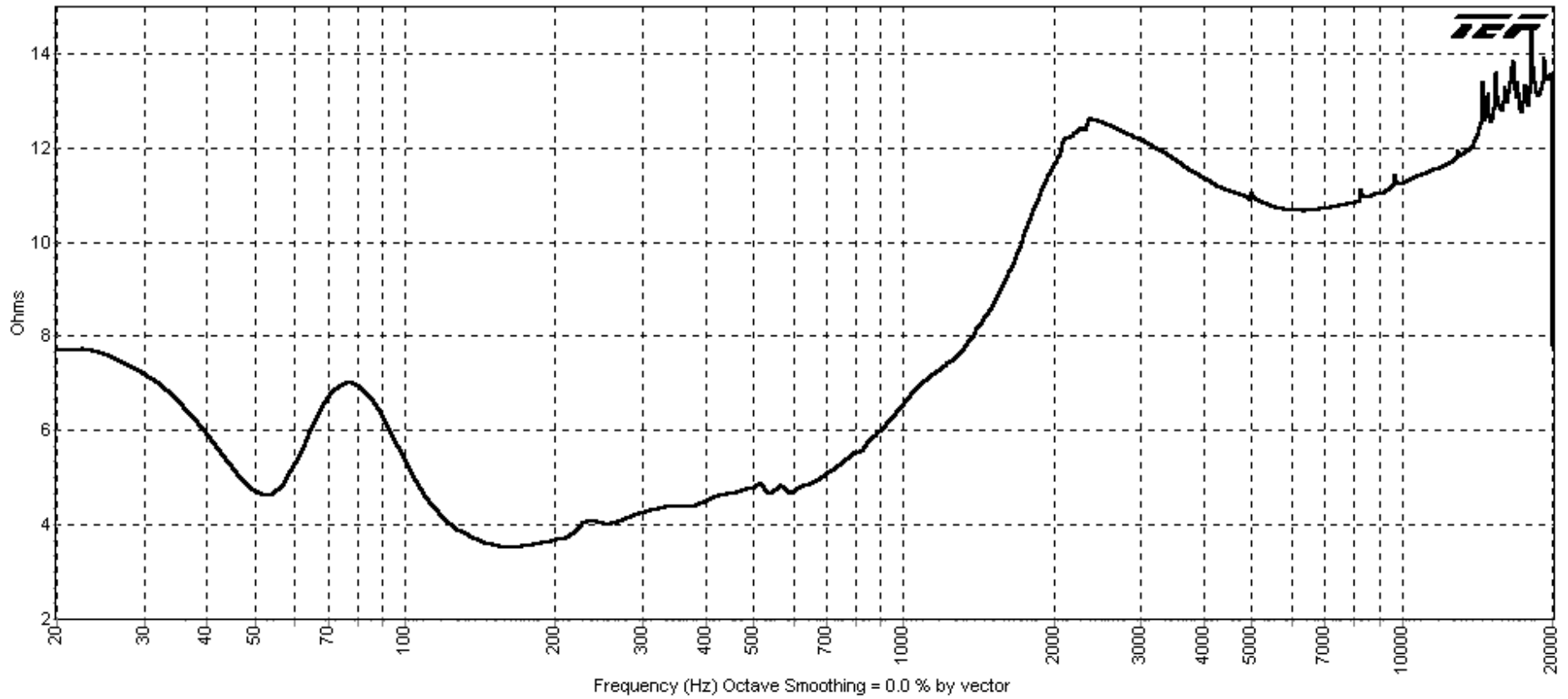
8192 Samples in 11.6 s, Frequency Res = 40.7 Hz, Time Res = 24.56 ms (27.76 feet)

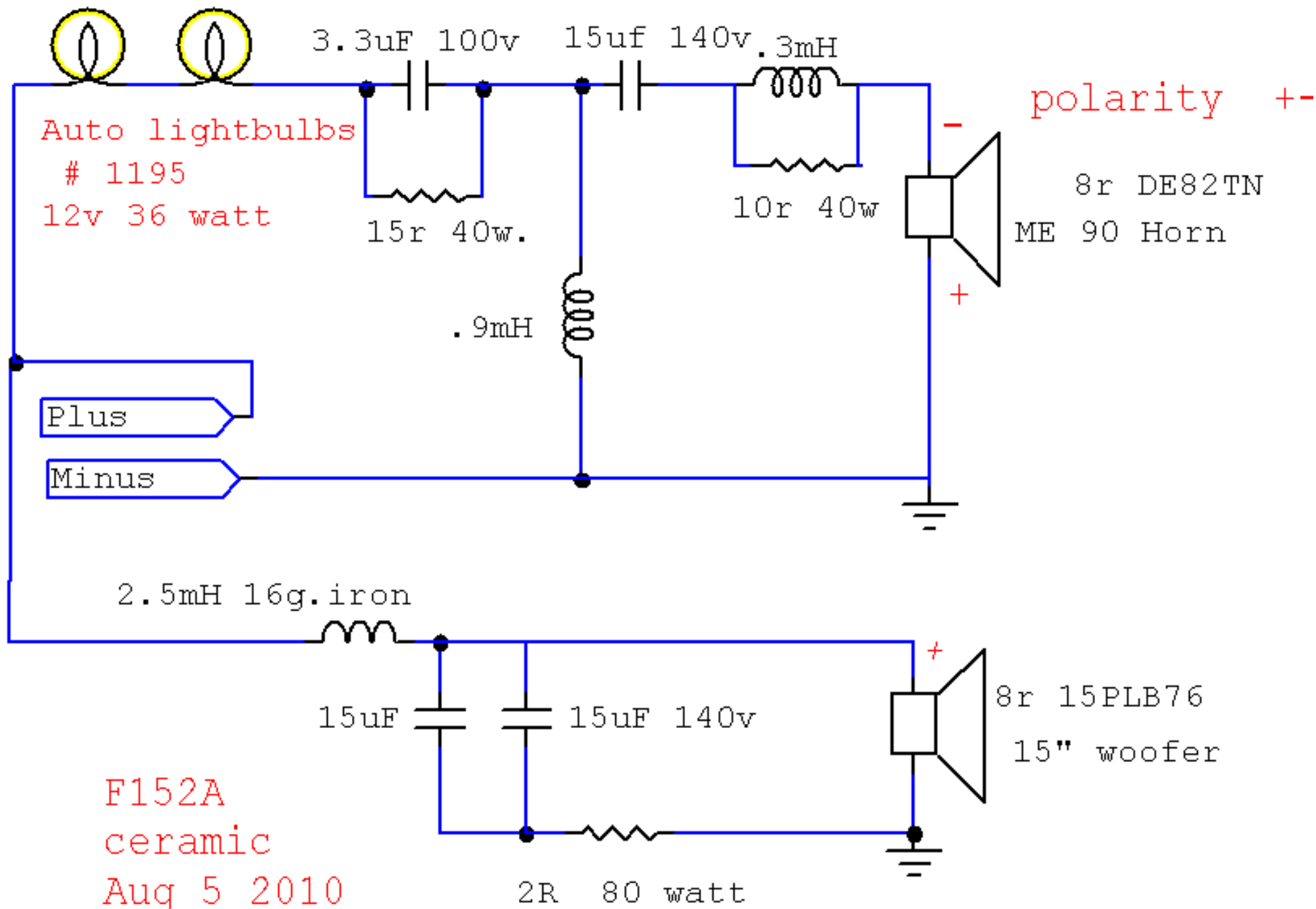


Frequency (Hz) Octave Smoothing = 12.0 % by vector

— Z_f152a.imp

8192 Samples, Frequency Res = 26.2 Hz





F152A
ceramic
Aug 5 2010

