



# **F121A**

## **Full Range Enclosure**

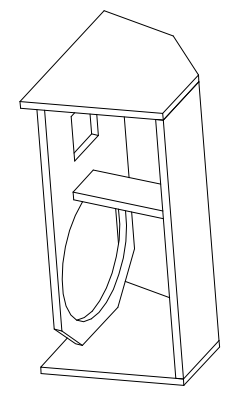
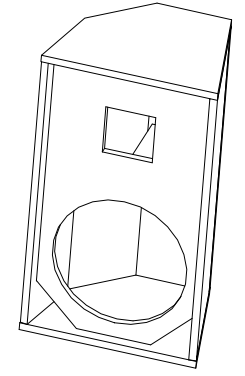
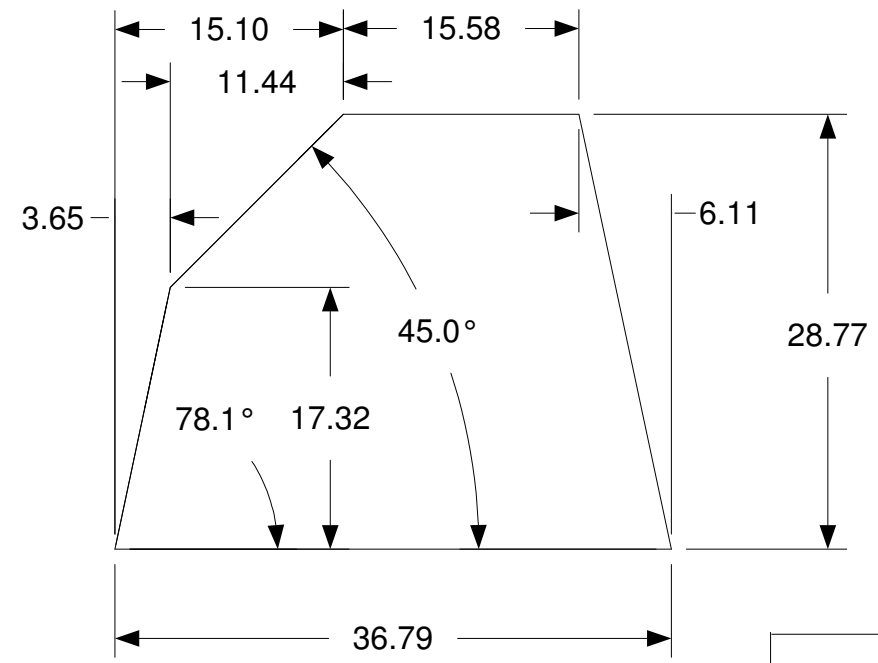
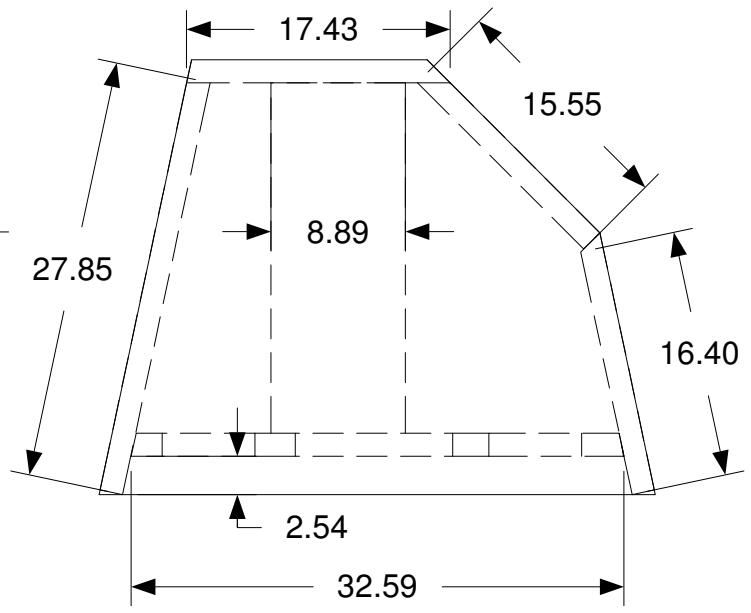
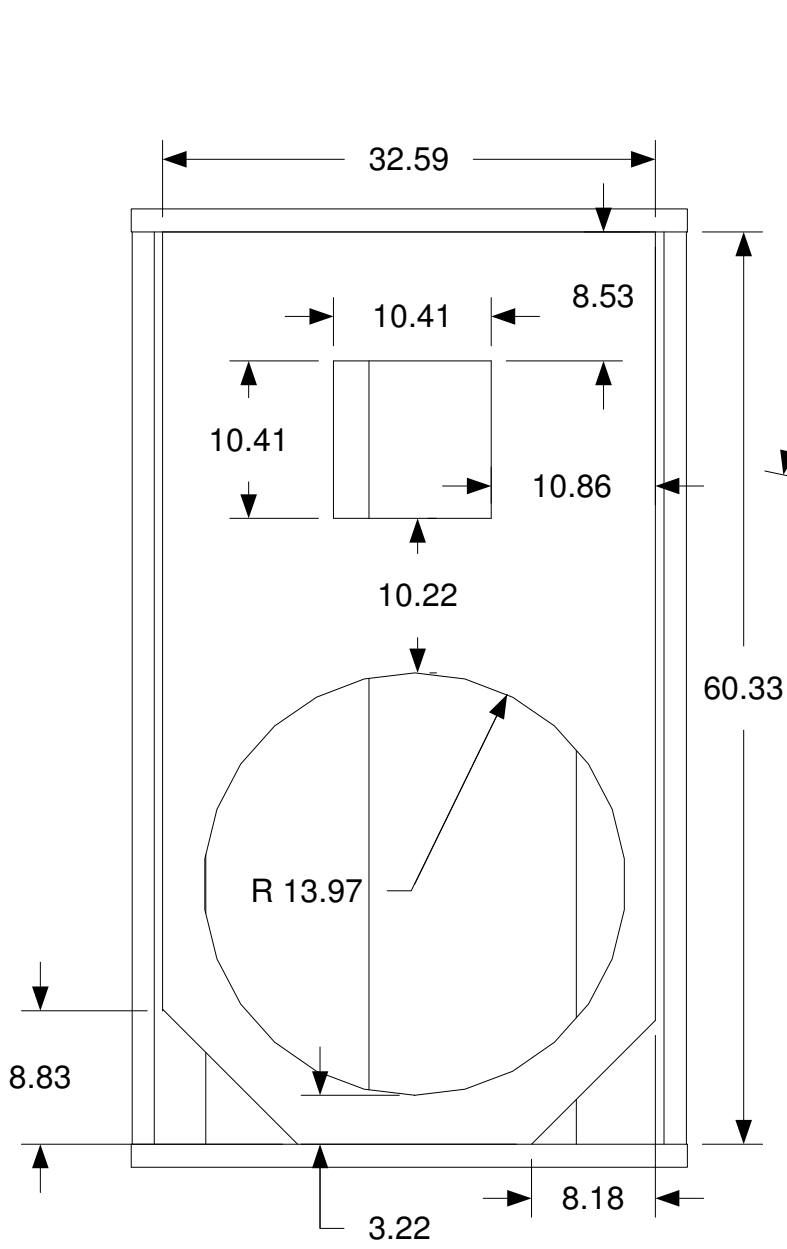
### **B&C Component Options**

12" Woofer – 12PLB76 8 ohm

1" Neodymium High Frequency Driver – DE400TN 8 ohm

90°x60° 1" Exit Horn – ME20

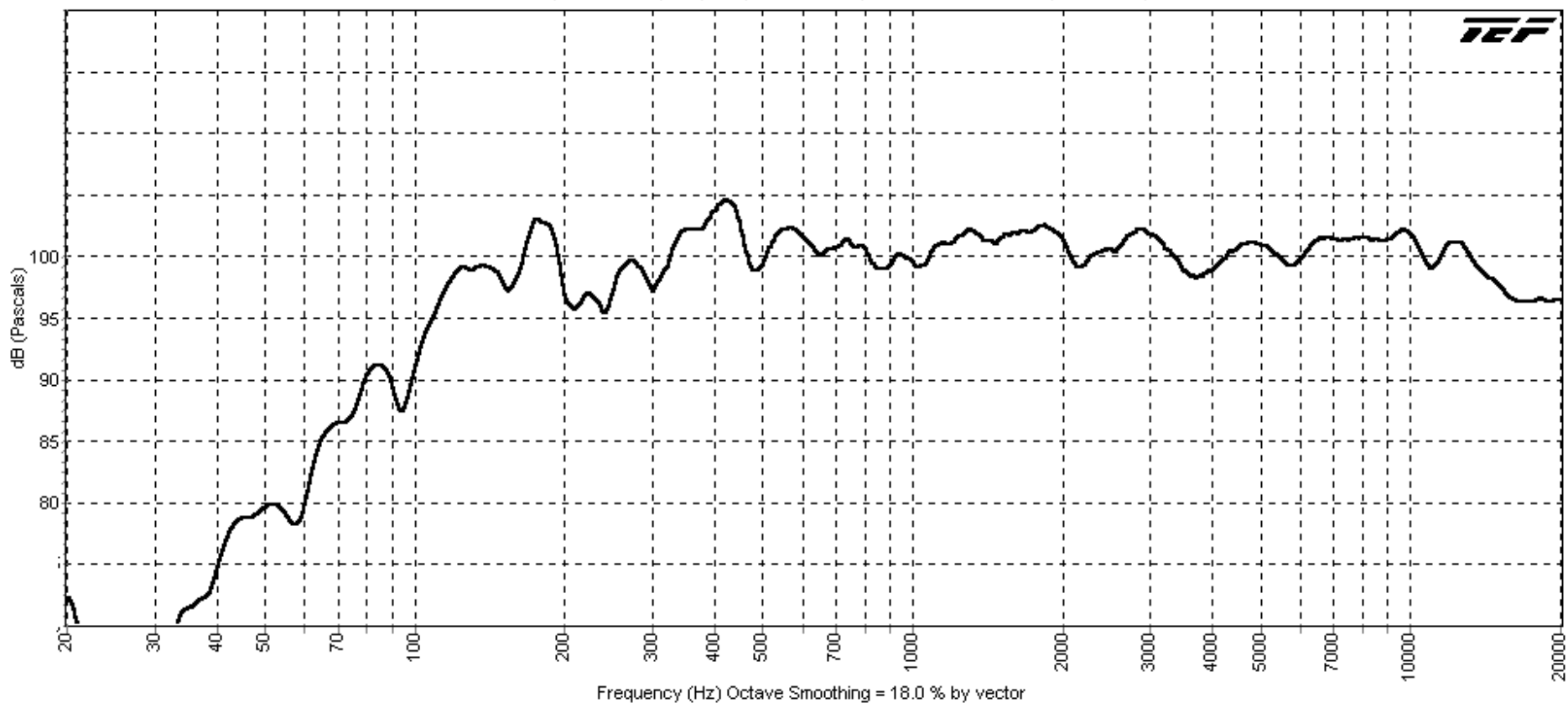
[www.bcspeakers.com](http://www.bcspeakers.com)



**F121A & F121AN**

Material 15mm Birch Plywood

8192 Samples in 34.1 s, Frequency Res = 2.9 Hz, Time Res = 349.15 ms (394.54 feet)



Z--f121an.imp

8192 Samples, Frequency Res = 18.3 Hz

