



F122A

Full Range Enclosure

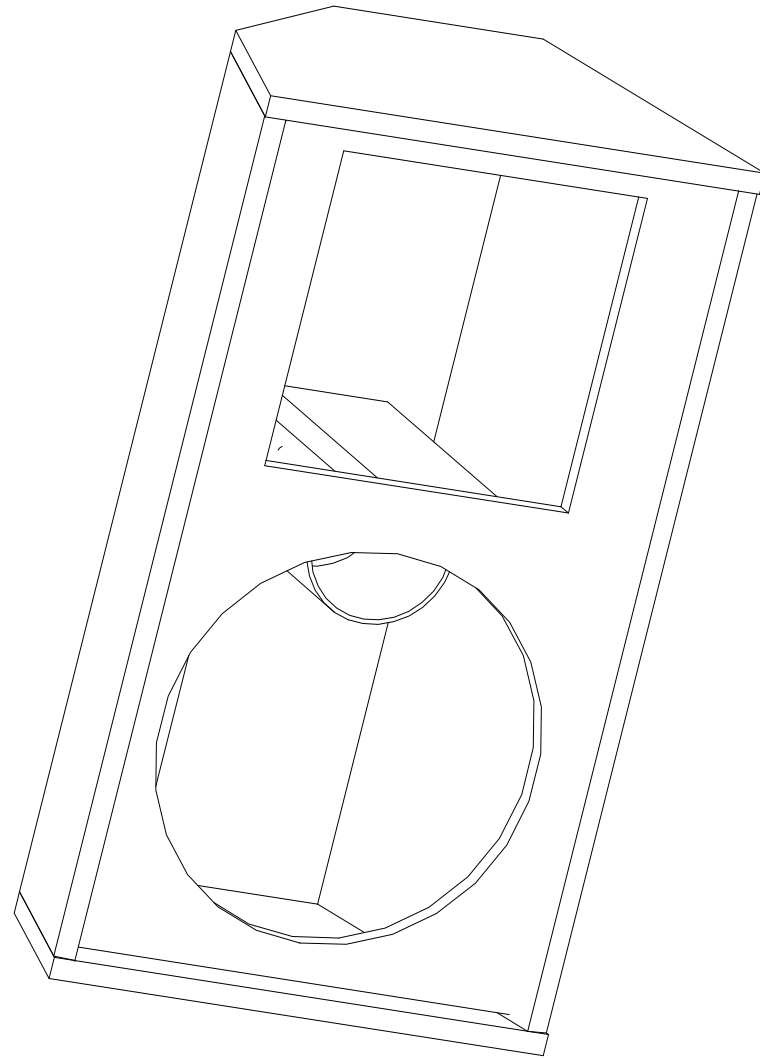
B&C Component Options

12" Woofer – 12PLB76 8 ohm

1.4" High Frequency Driver – DE82TN 8 ohm

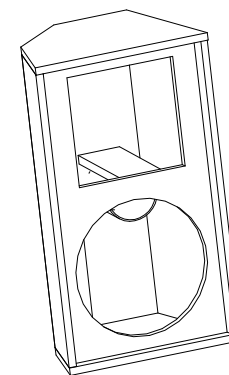
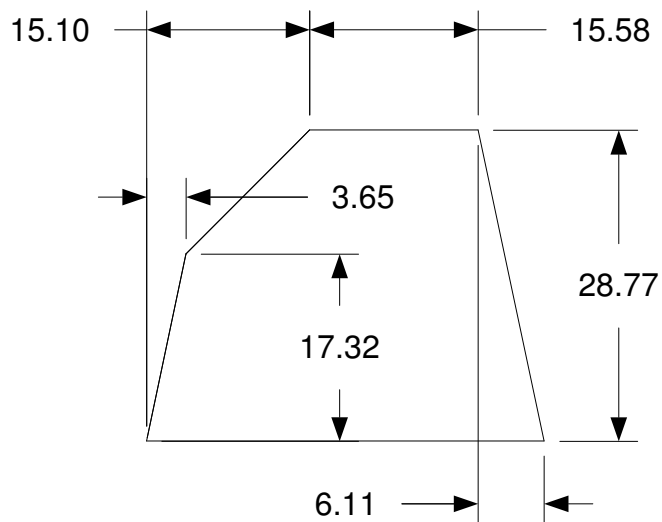
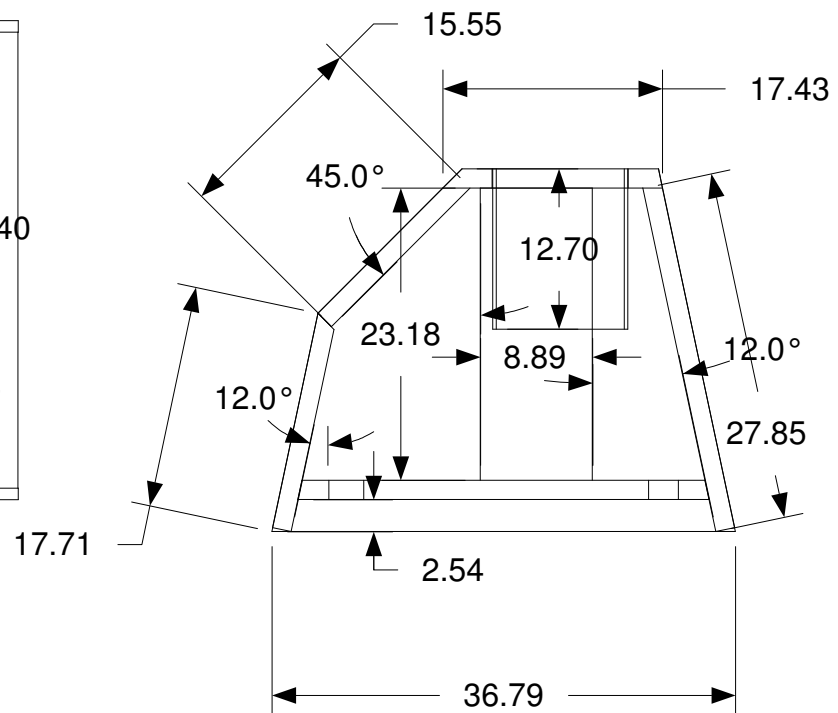
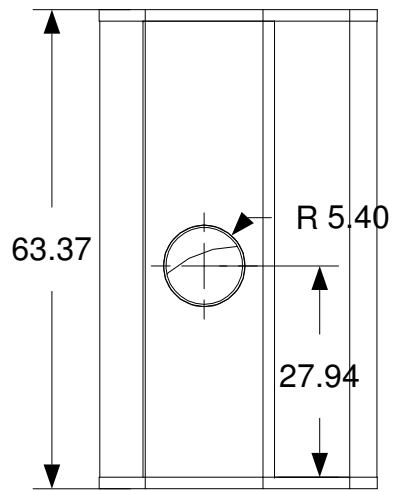
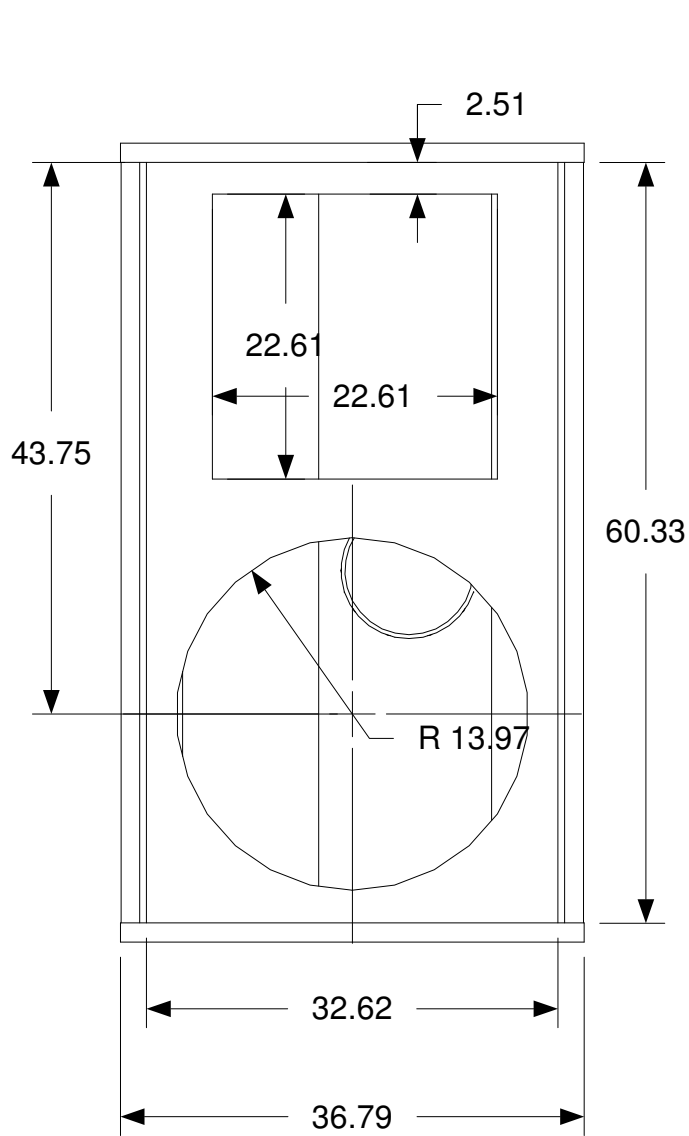
80°x60° 1.4" Horn – ME90

www.bcspeakers.com



F122A 3D

Material 15mm Birch Plywood



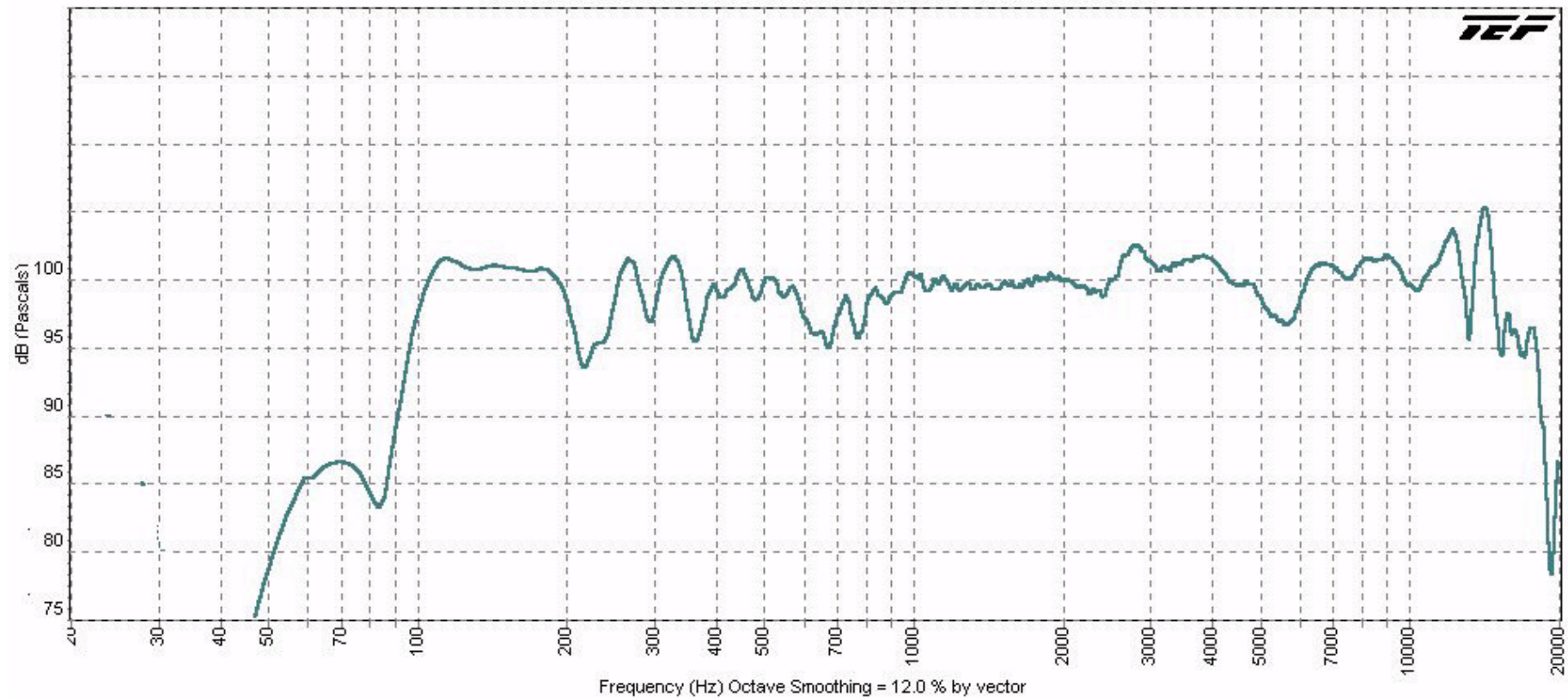
F122A(+N) general dims

Material 15mm Birch Plywood

LF plus net f122a ceramic may 5
5/6/10 3:15:46 AM Living room
1m 0deg living room

all net f122a ceramic may 5.tds

8192 Samples in 42.7 s, Frequency Res = 21.6 Hz, Time Res = 46.21 ms (52.22 feet)



LF plus net f122a ceramic may 5
Living room 5/6/10 3:17:22 AM
1m 0deg living room
Cursor = 6.6 Ohms at 183.4 Hz (degs)

