



F151A

Full Range Enclosure

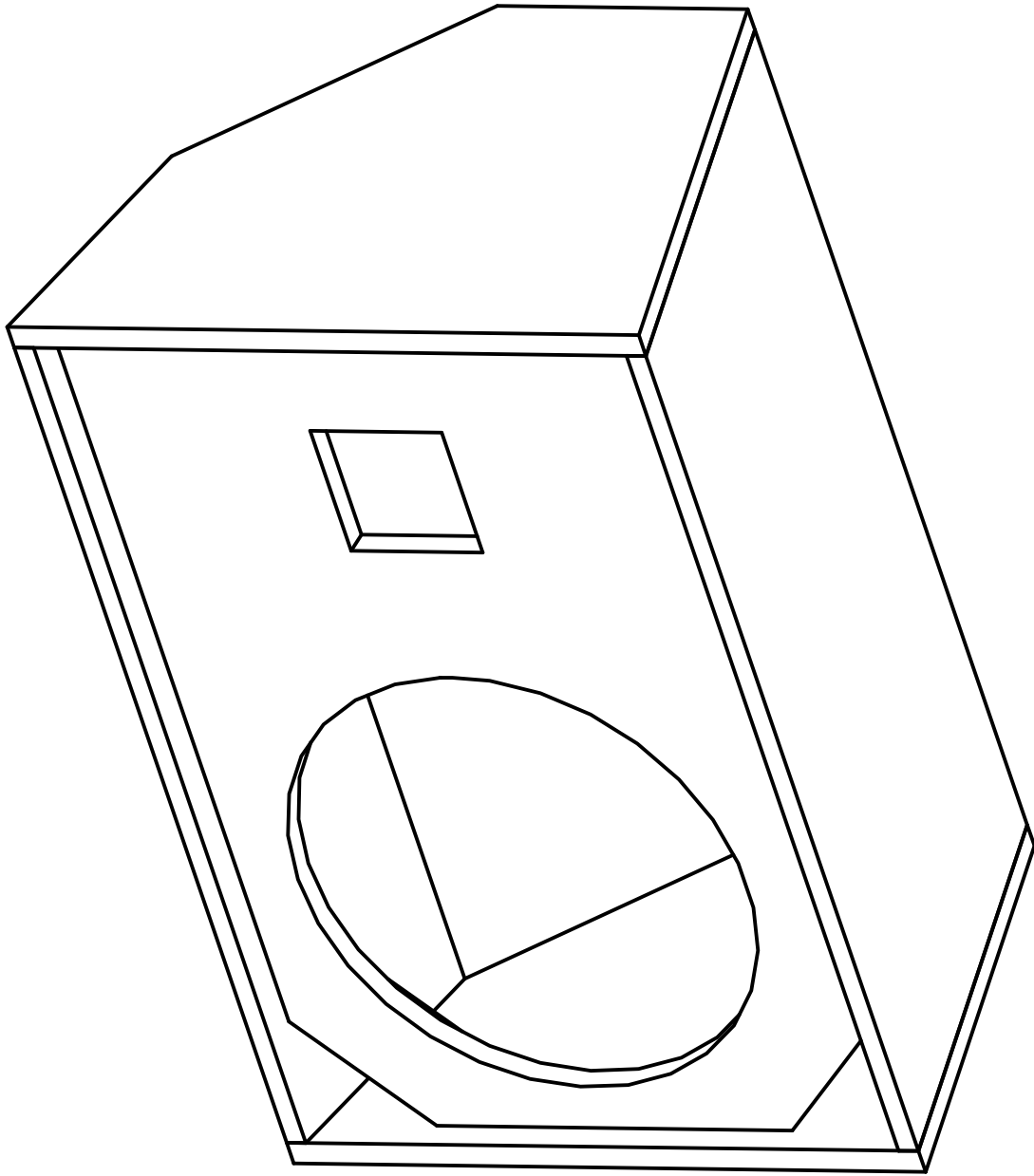
B&C Component Options

15" Woofer – 15PLB76 8 ohm

1" Neodymium High Frequency Driver – DE400TN 8 ohm

90°x60° 1" Exit Horn – ME20

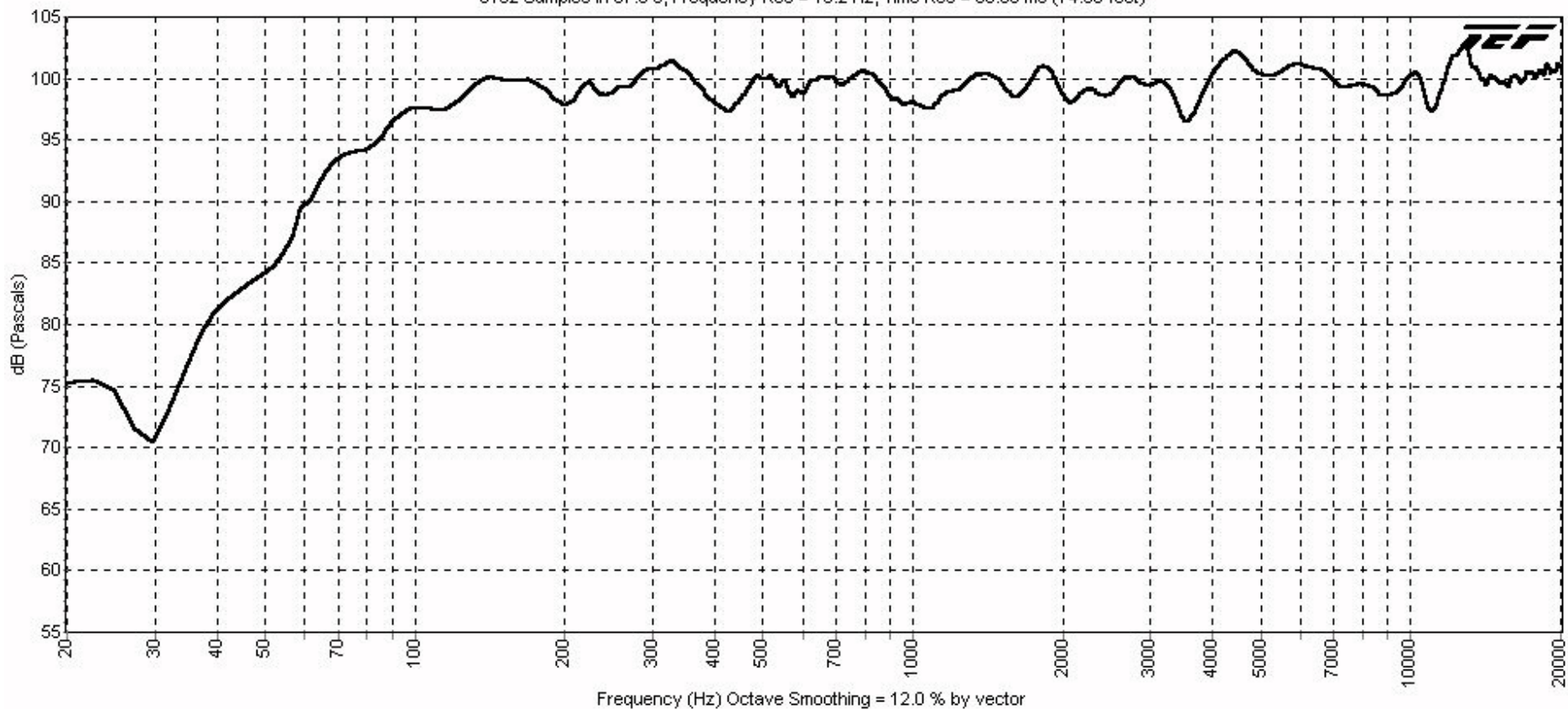
www.bcspeakers.com



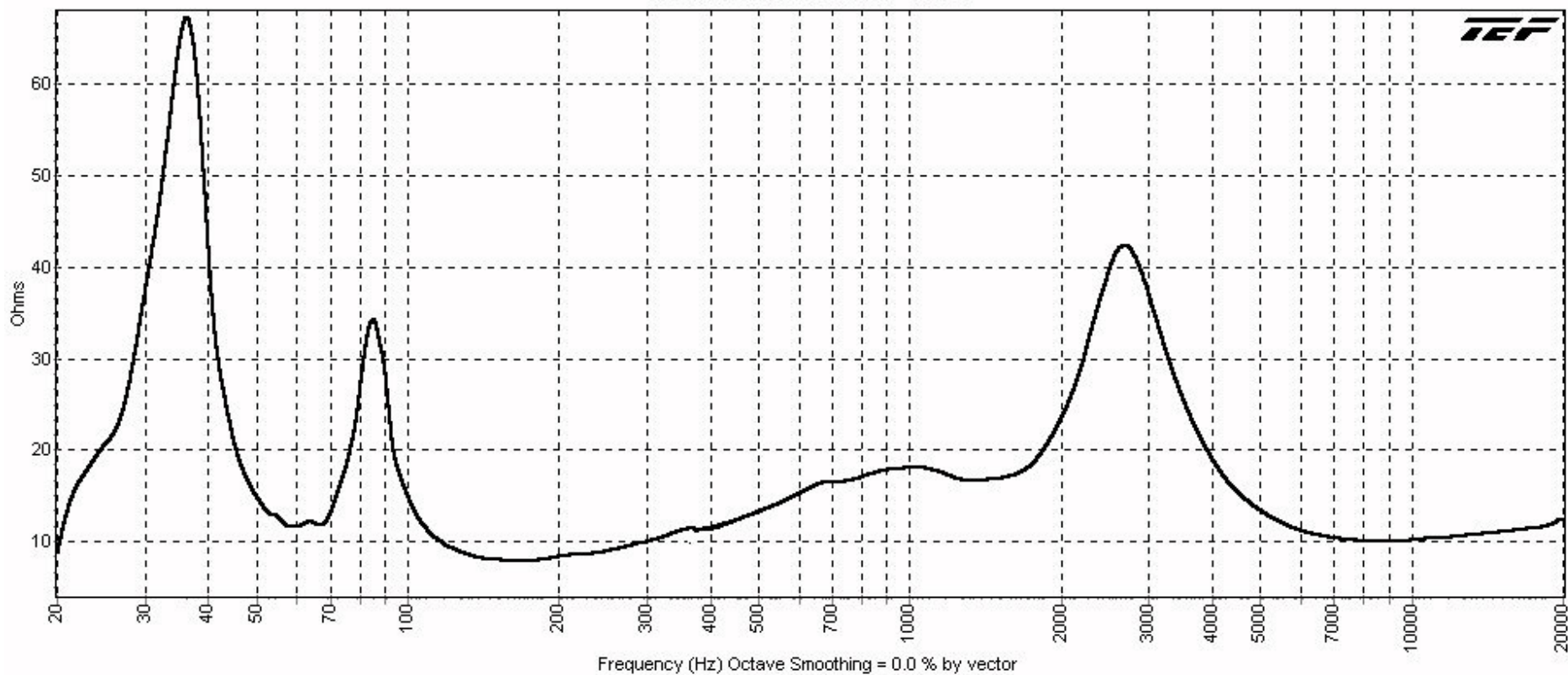
F151A

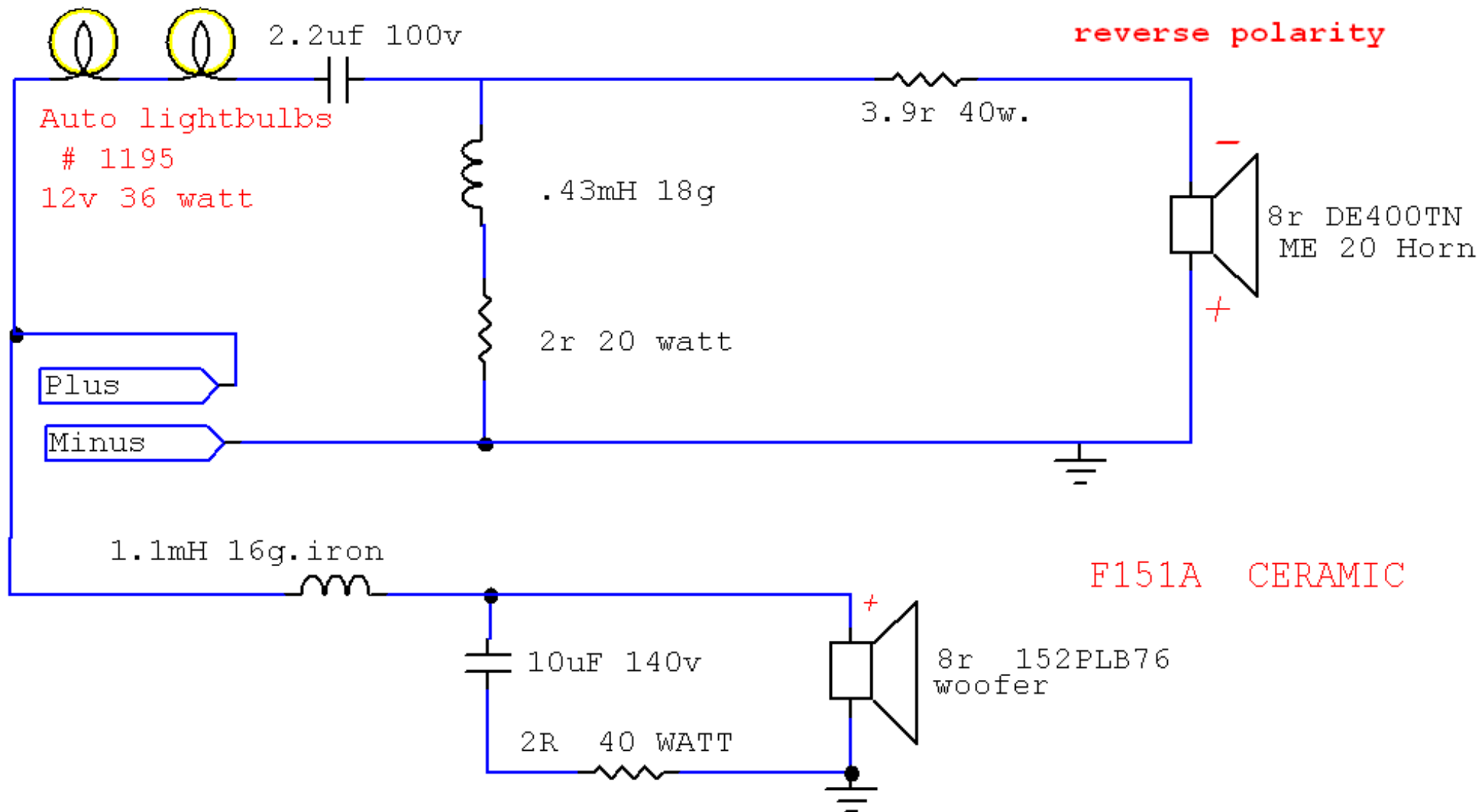
Material 18mm Birch Plywood

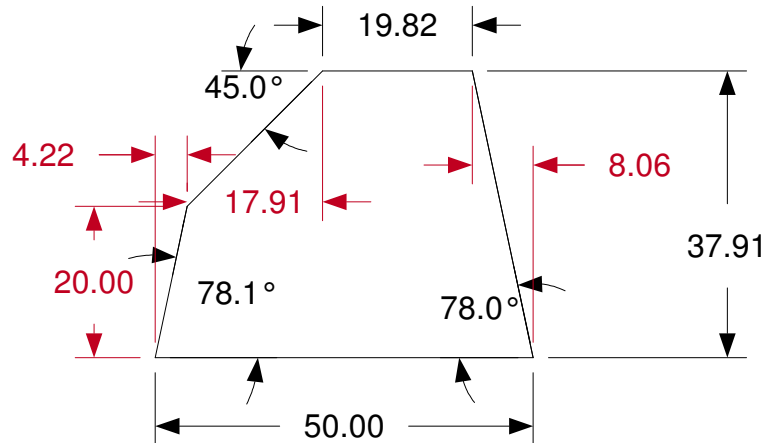
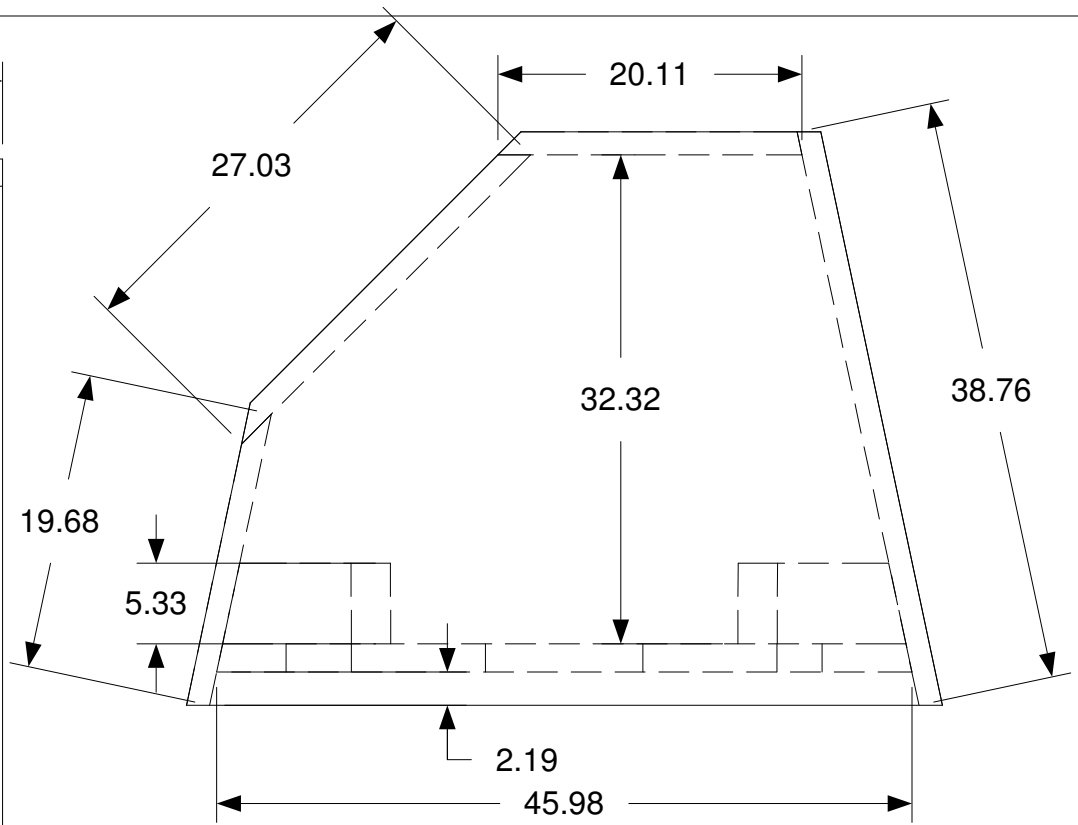
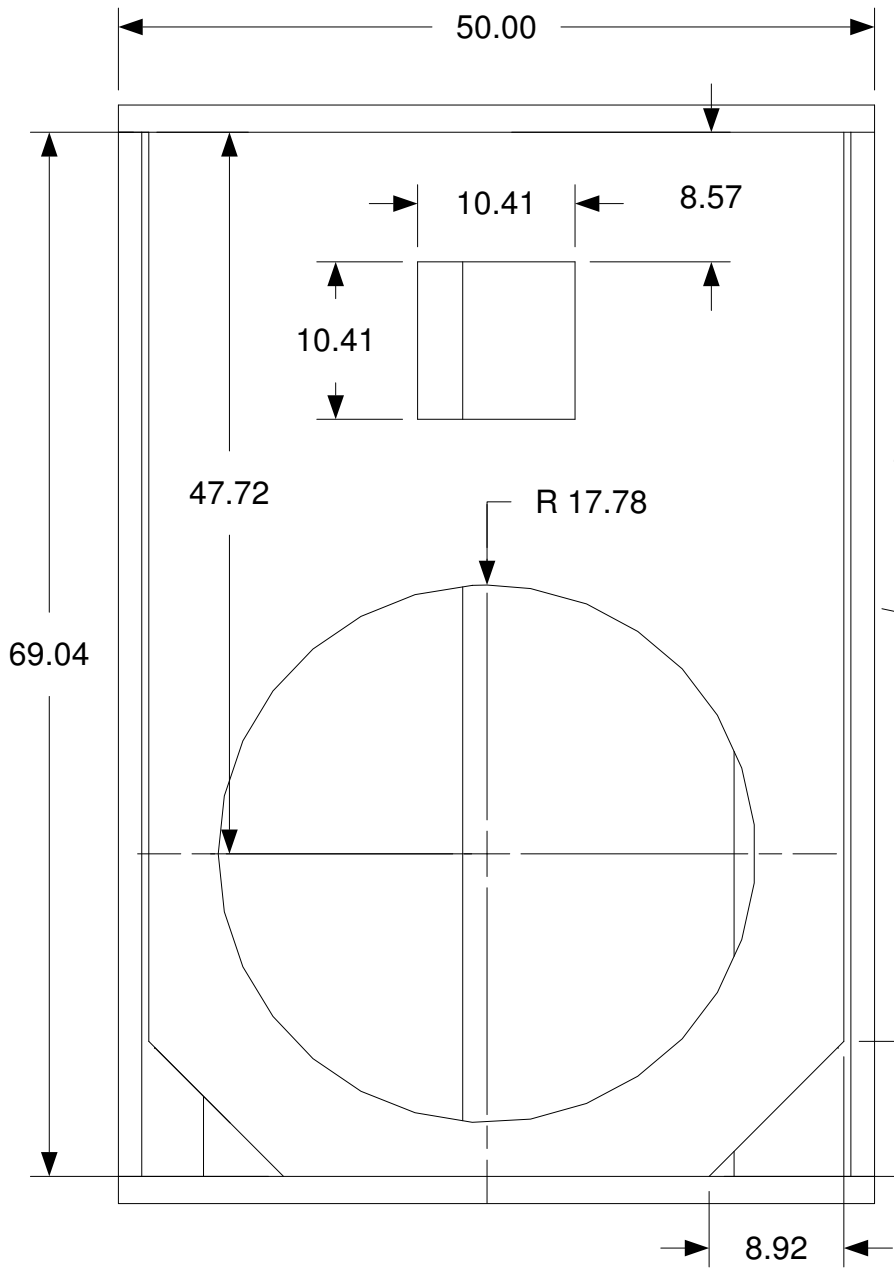
8192 Samples in 87.0 s, Frequency Res = 15.2 Hz, Time Res = 66.00 ms (74.58 feet)



8192 Samples, Frequency Res = 40.6 Hz







F151A

Material 18mm Birch Plywood