



# **F151AN**

## **Full Range Enclosure**

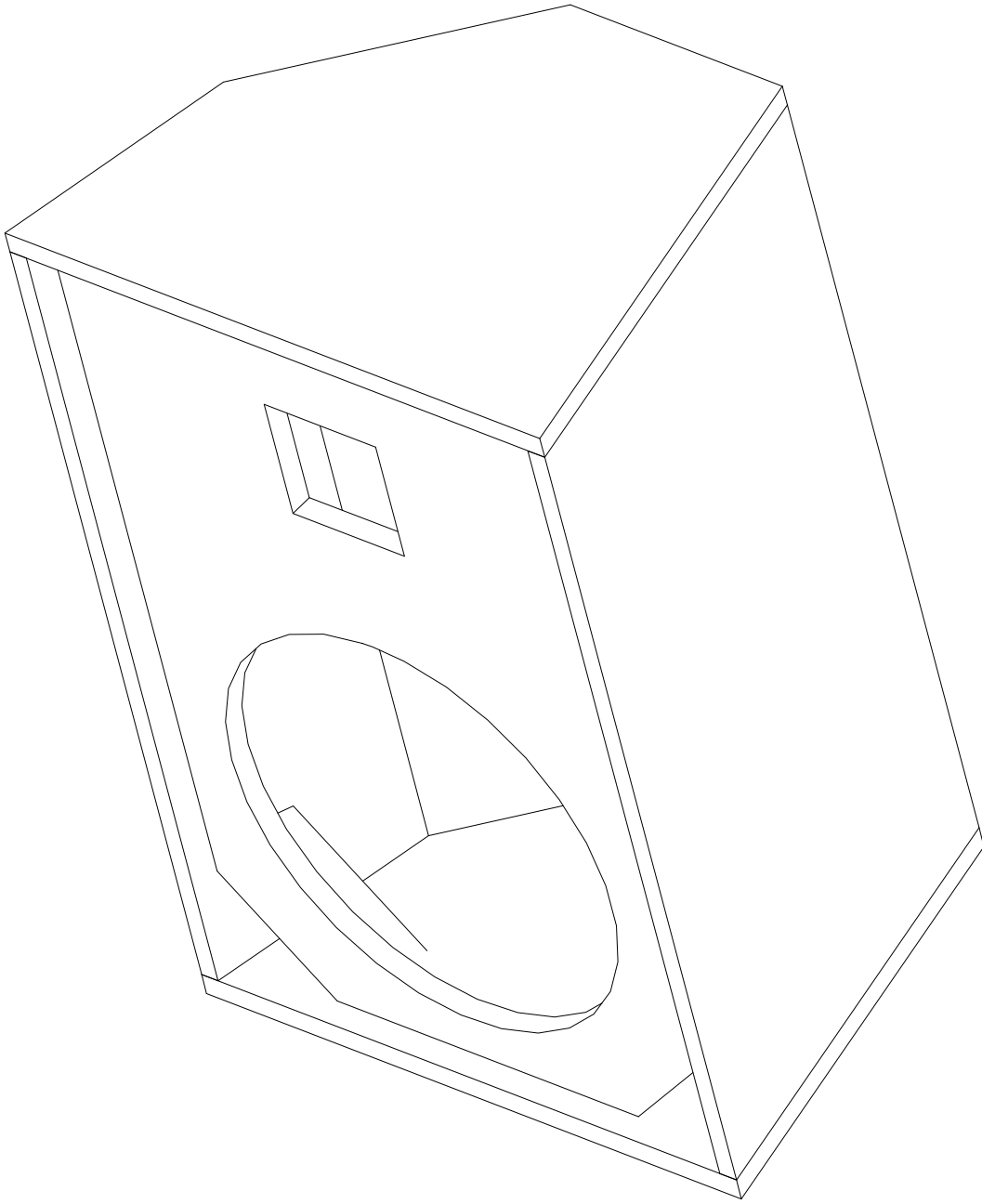
### **B&C Component Options**

15" Neodymium Woofer – 15NDL76 8 ohm

1" Neodymium High Frequency Driver – DE400TN 8 ohm

90°x60° 1" Exit Horn – ME20

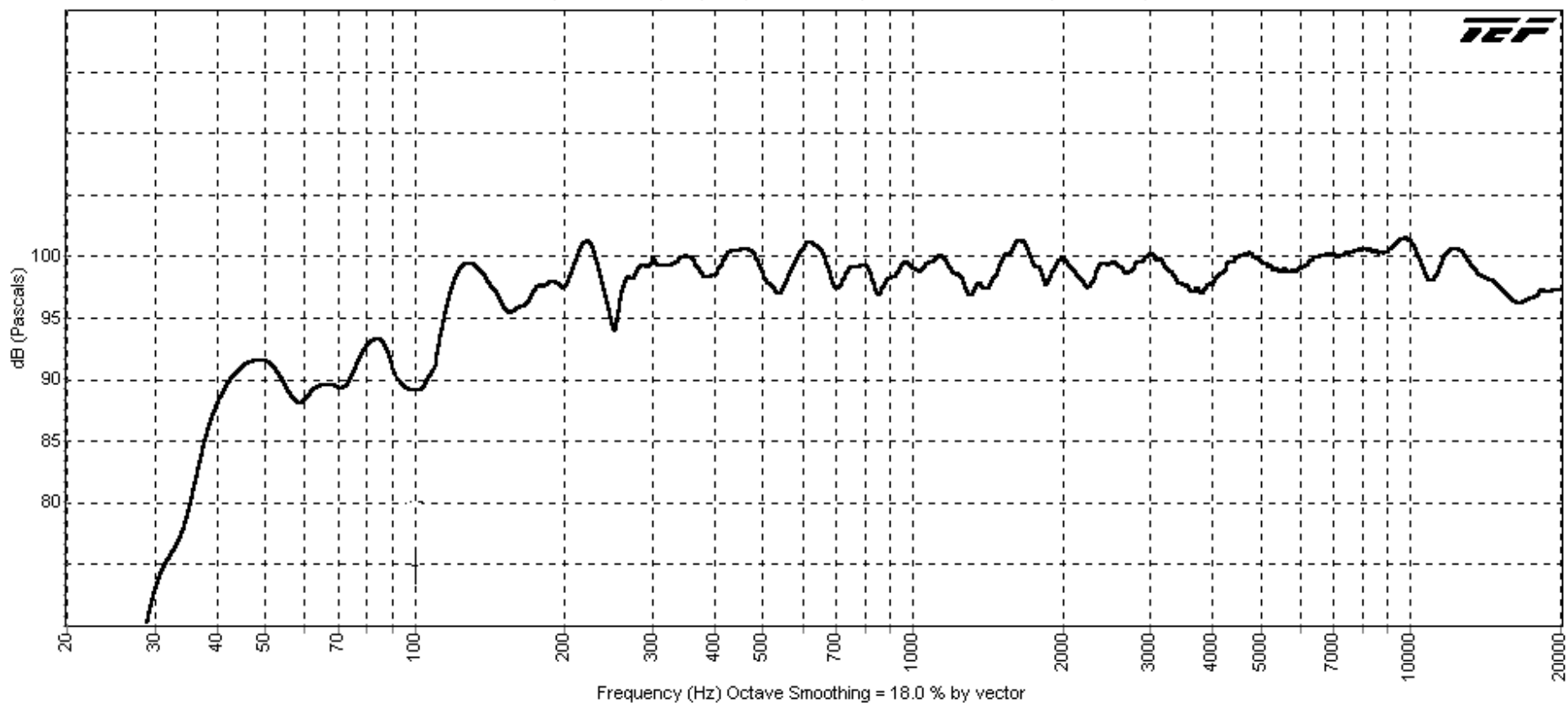
[www.bcspeakers.com](http://www.bcspeakers.com)



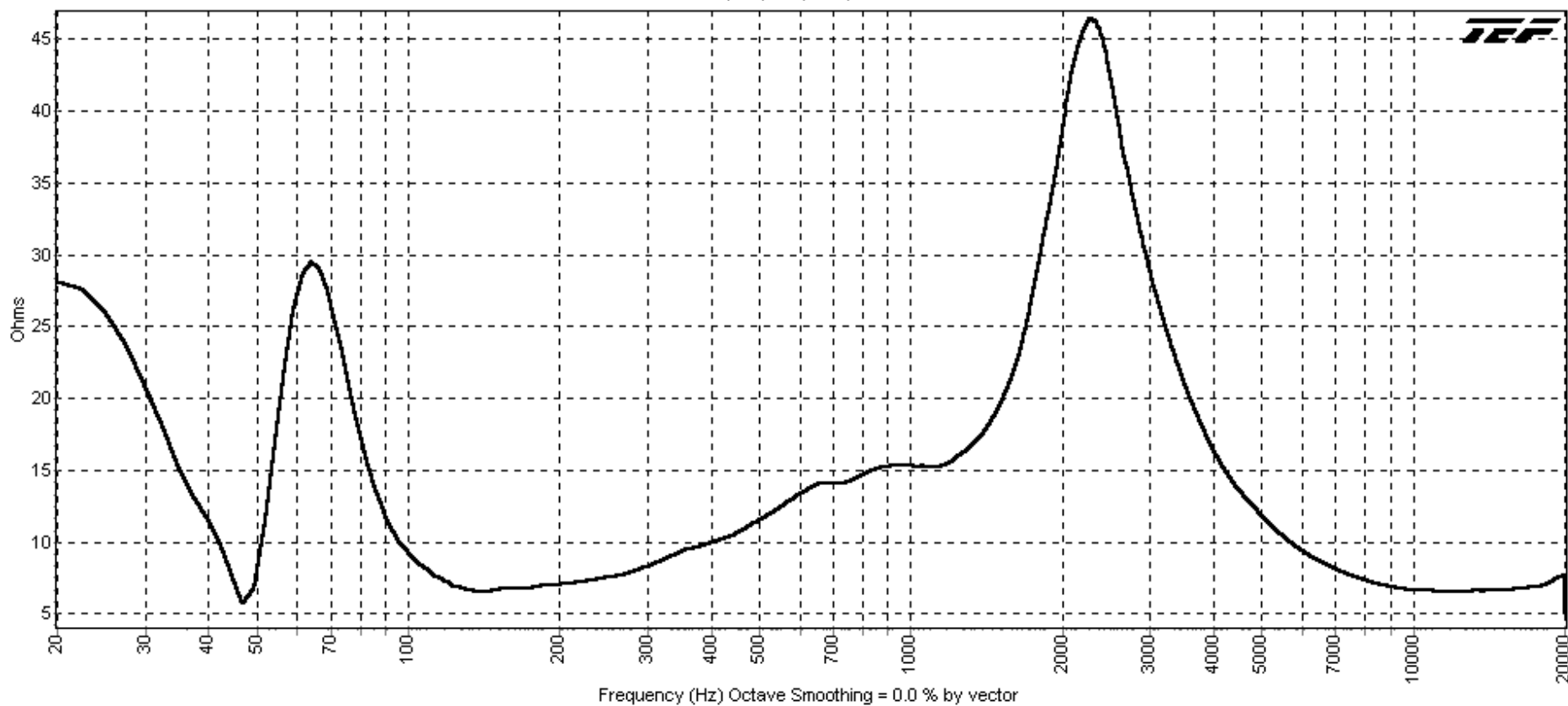
F151AN

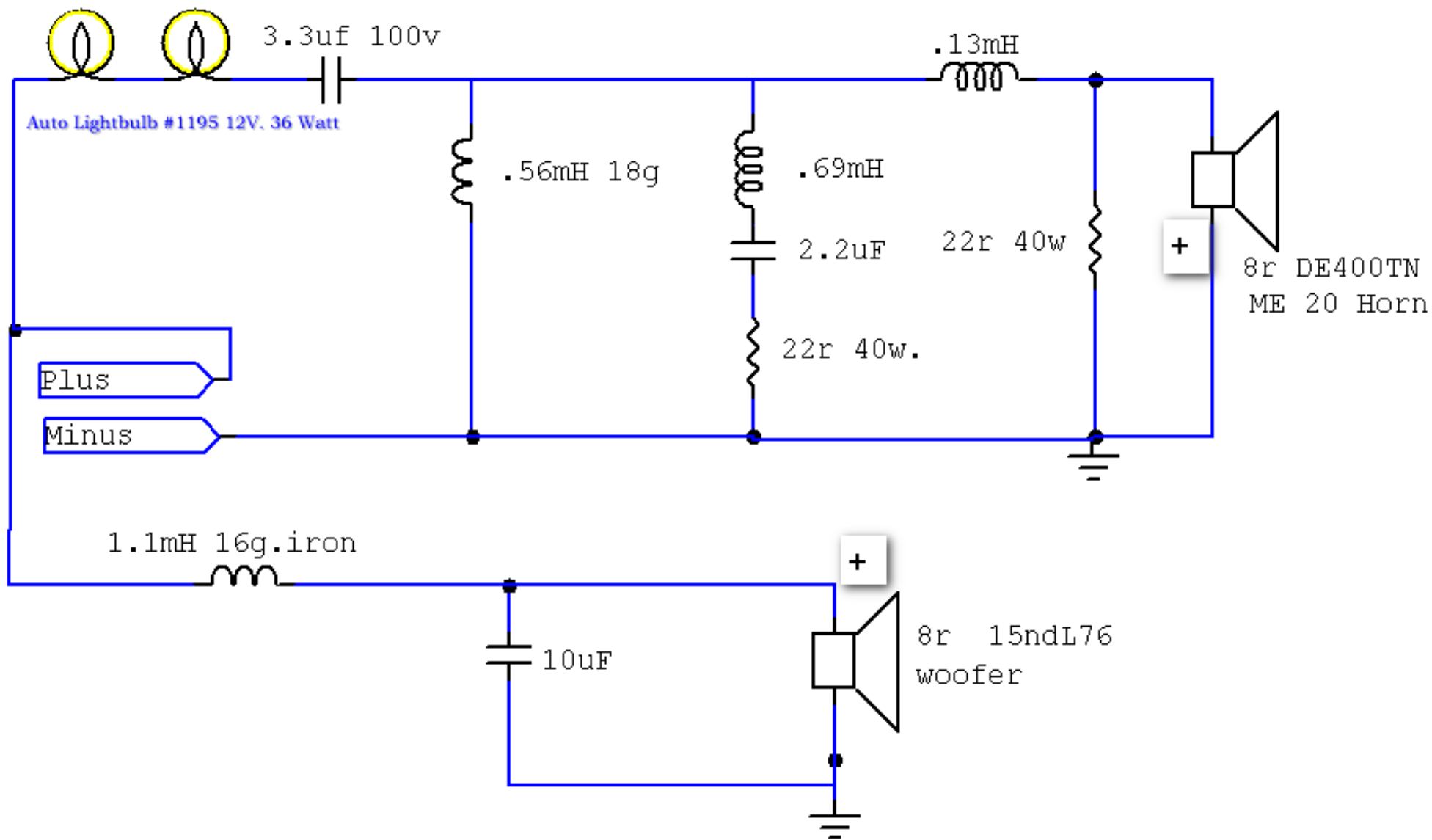
Material 18mm Birch Plywood

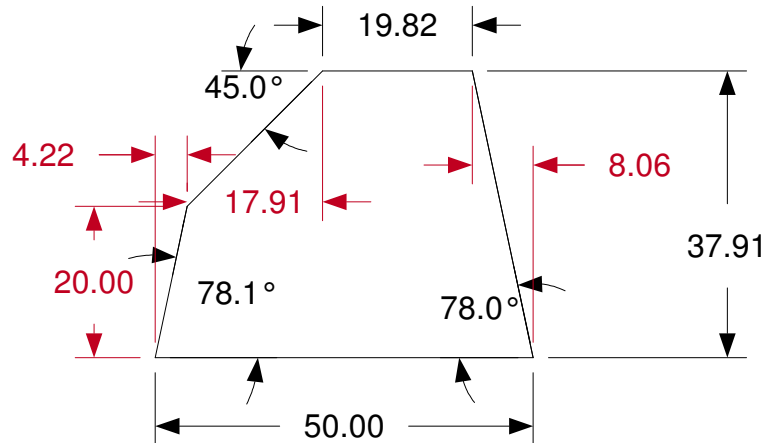
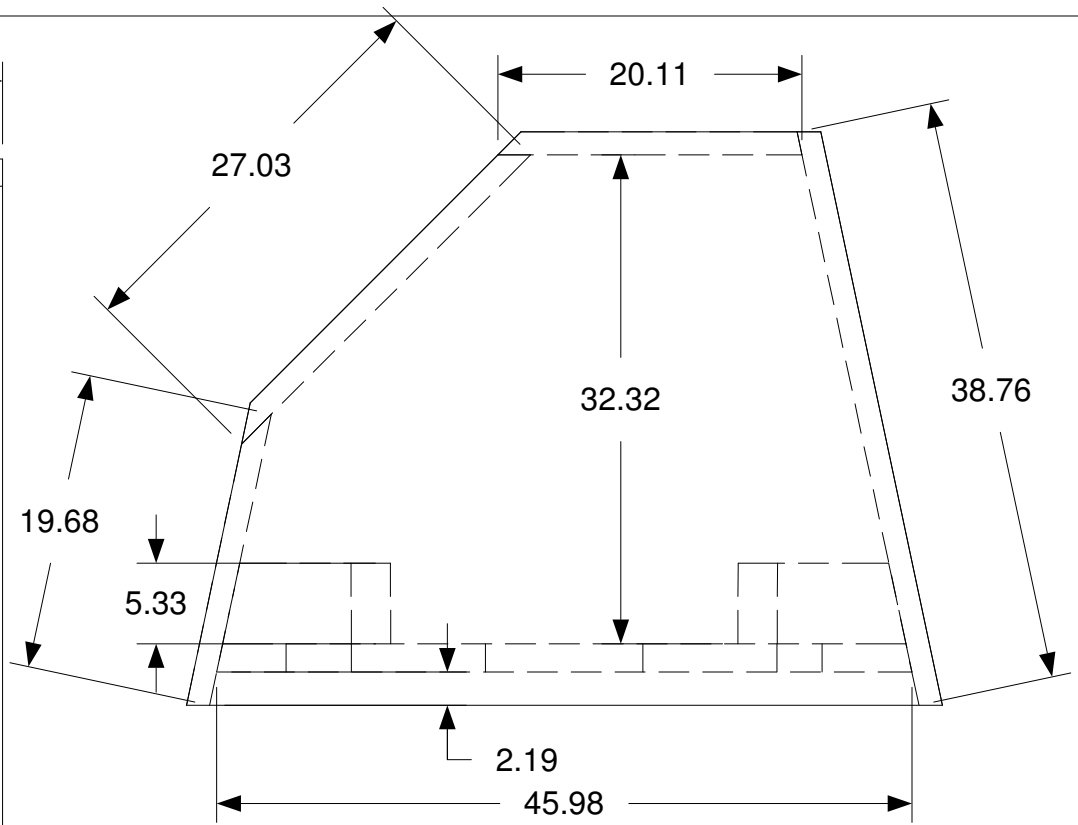
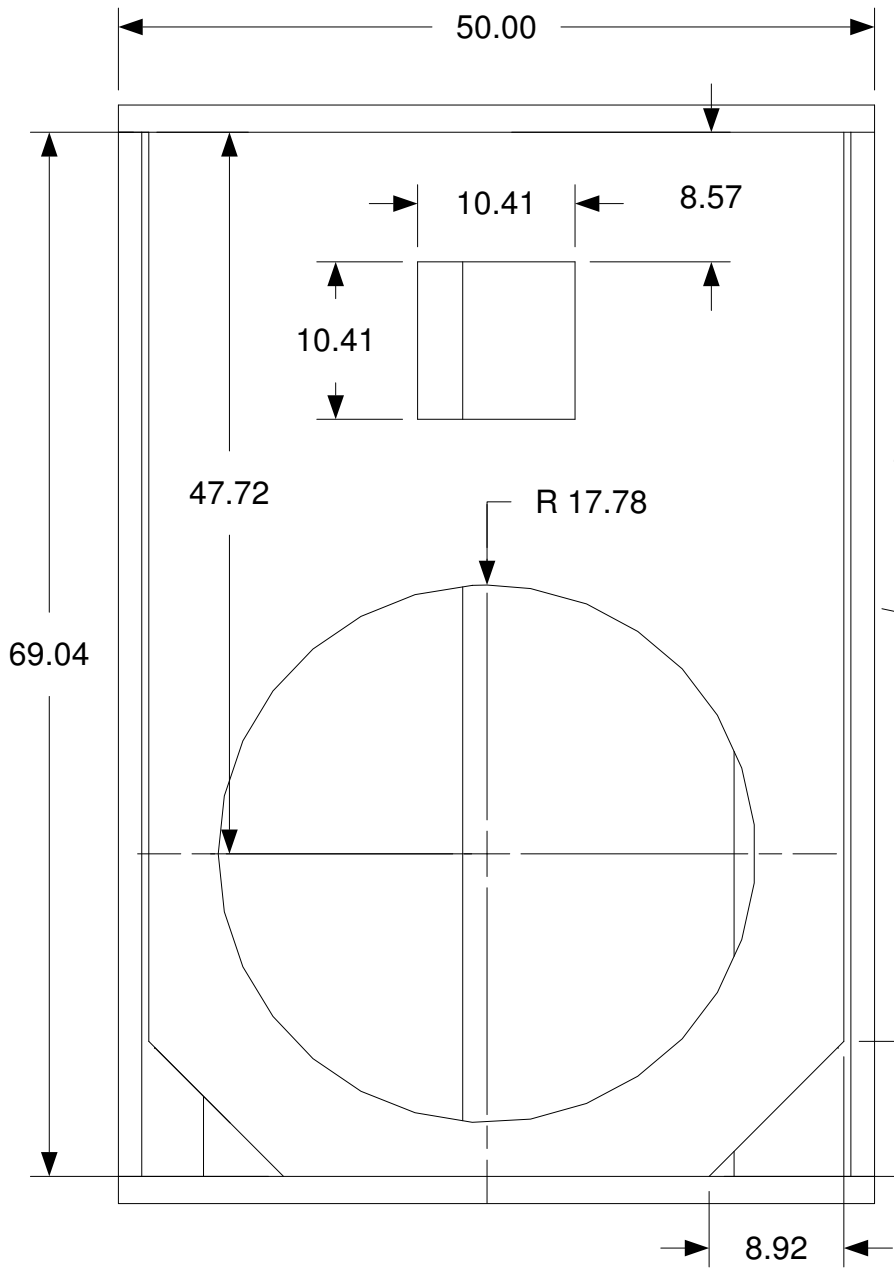
8192 Samples in 11.9 s, Frequency Res = 4.8 Hz, Time Res = 206.56 ms (233.41 feet)



8192 Samples, Frequency Res = 18.3 Hz







F151AN
Material 18mm Birch Plywood