



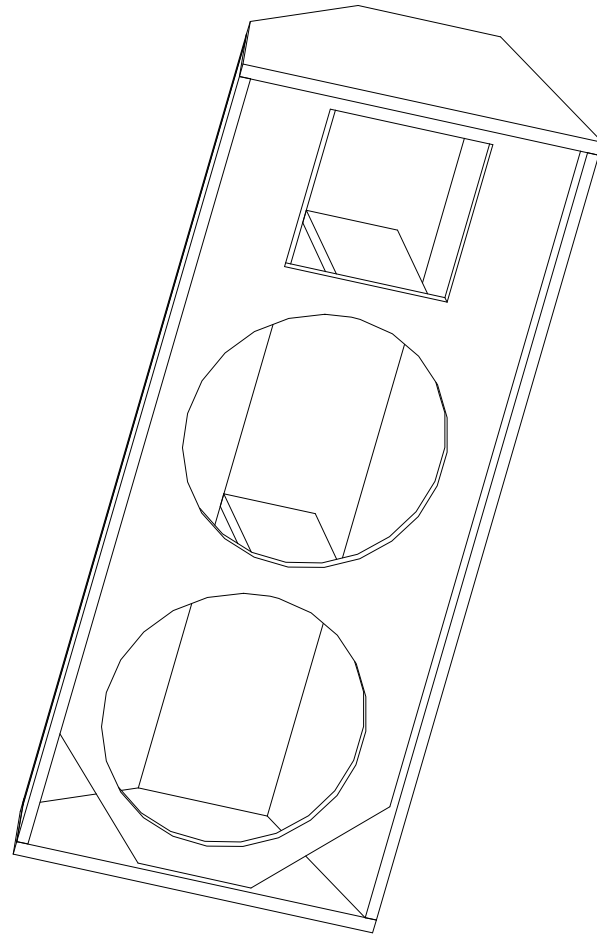
F2152AN

Full Range Enclosure

B&C Component Options

2x 15" Neodymium Woofer – 15NDL76 8 ohm
1.4" High Frequency Driver – DE820TN 8 ohm
80°x60° 1.4" Horn – ME90

www.bcspeakers.com



F2152AN

Material 18mm Birch Plywood

— F2152AN ----ALLL +NET sep 2.tds

8192 Samples in 76.8 s, Frequency Res = 16.1 Hz, Time Res = 62.00 ms (70.06 feet)



— Z-----F2152AN -----all+NET sep 2

8192 Samples, Frequency Res = 26.2 Hz

