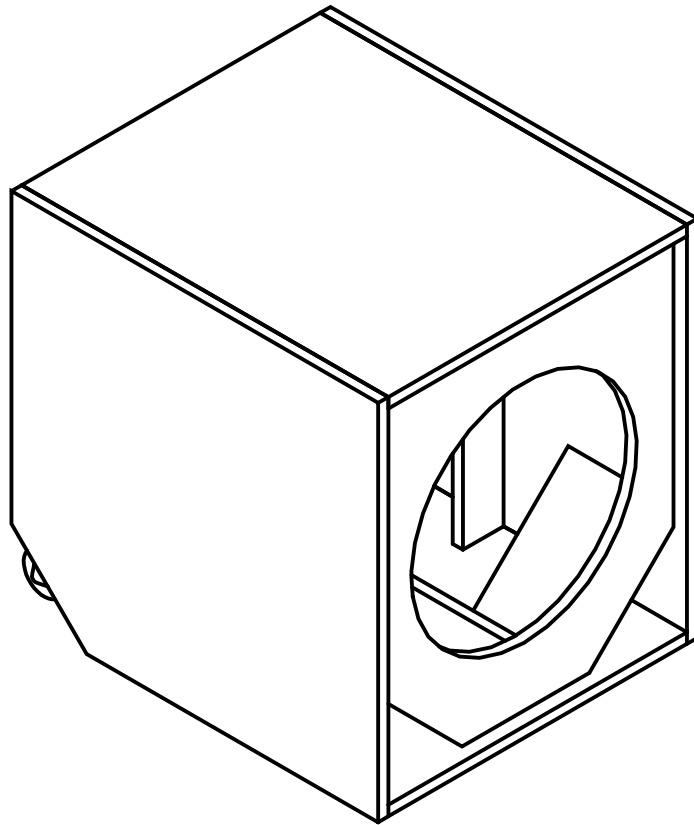




S18AN

B&C Component Options
18NW100 8 ohm

www.bcspeakers.com



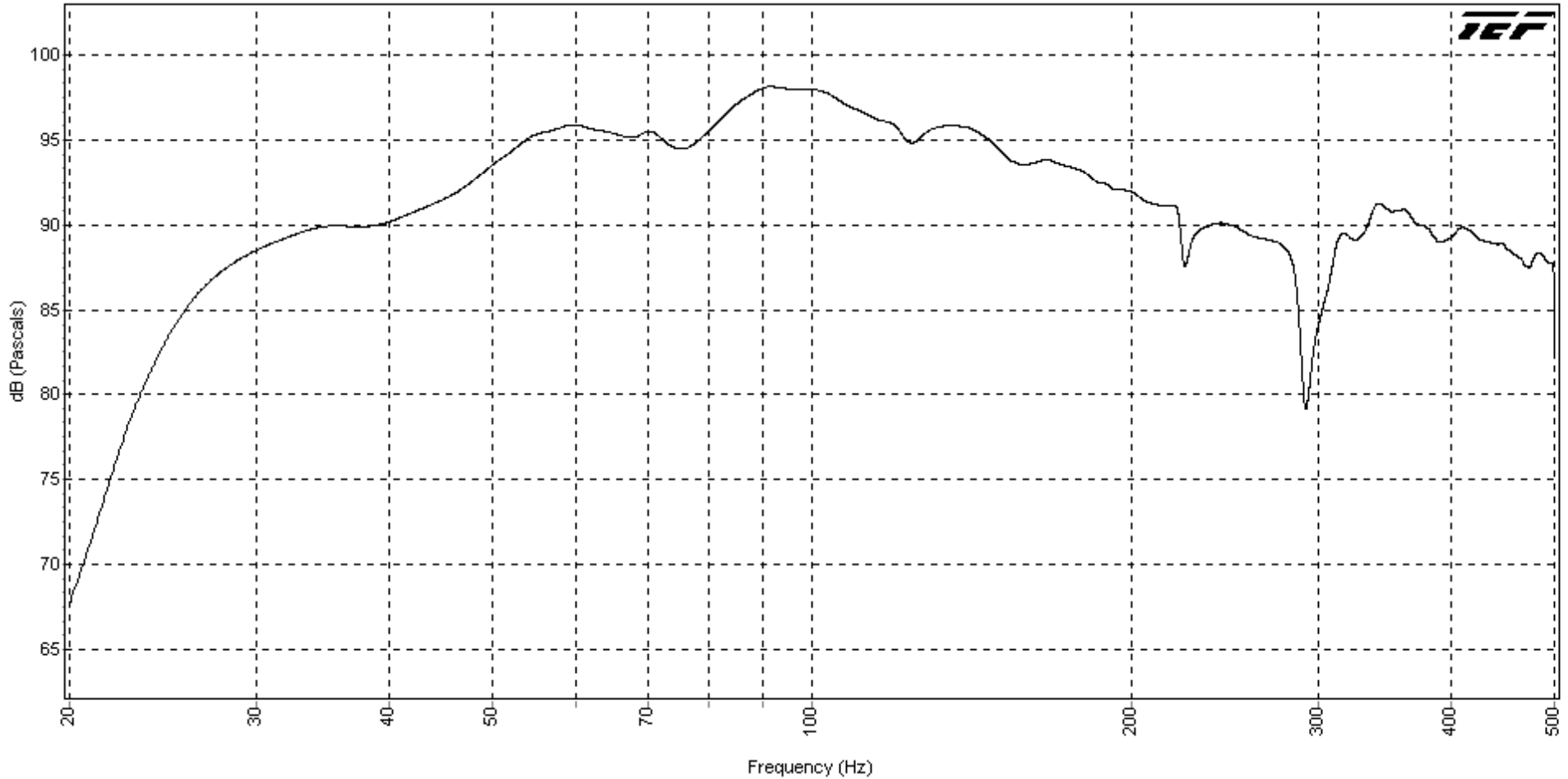
S18AN

Material 18mm Birch Plywood

SPL ---18ndsw 100-8r
12/19/09 3:51:01 AM out

SPL ---18ndsw 100-8r.tds

8192 Samples in 47.8 s, Frequency Res = 3.2 Hz, Time Res = 315.52 ms (356.54 feet)

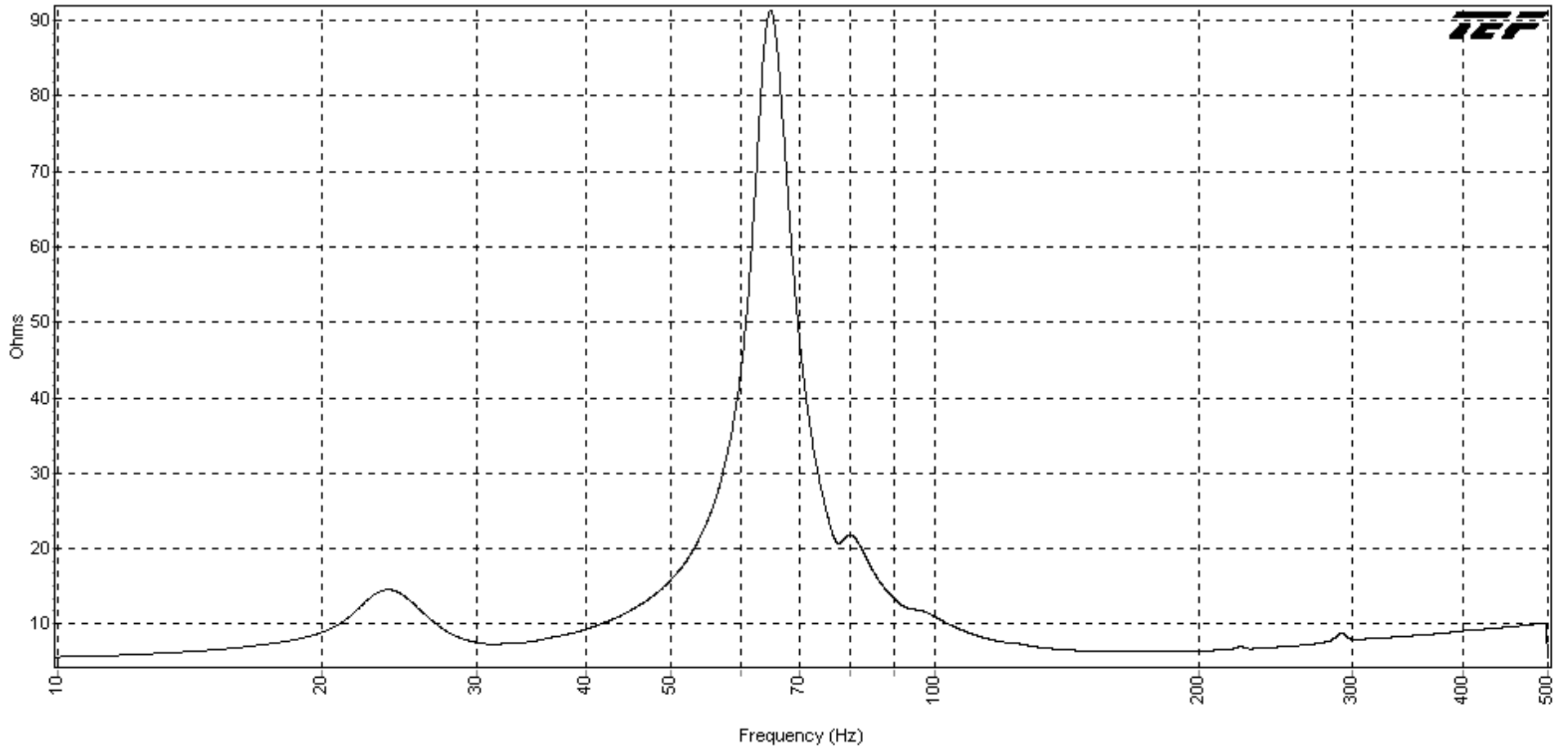


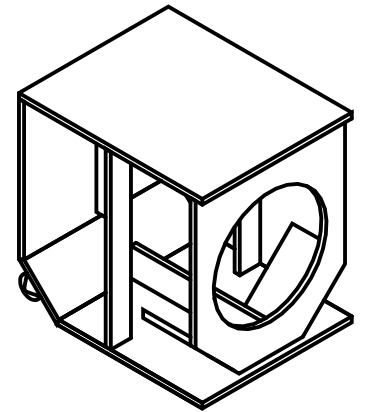
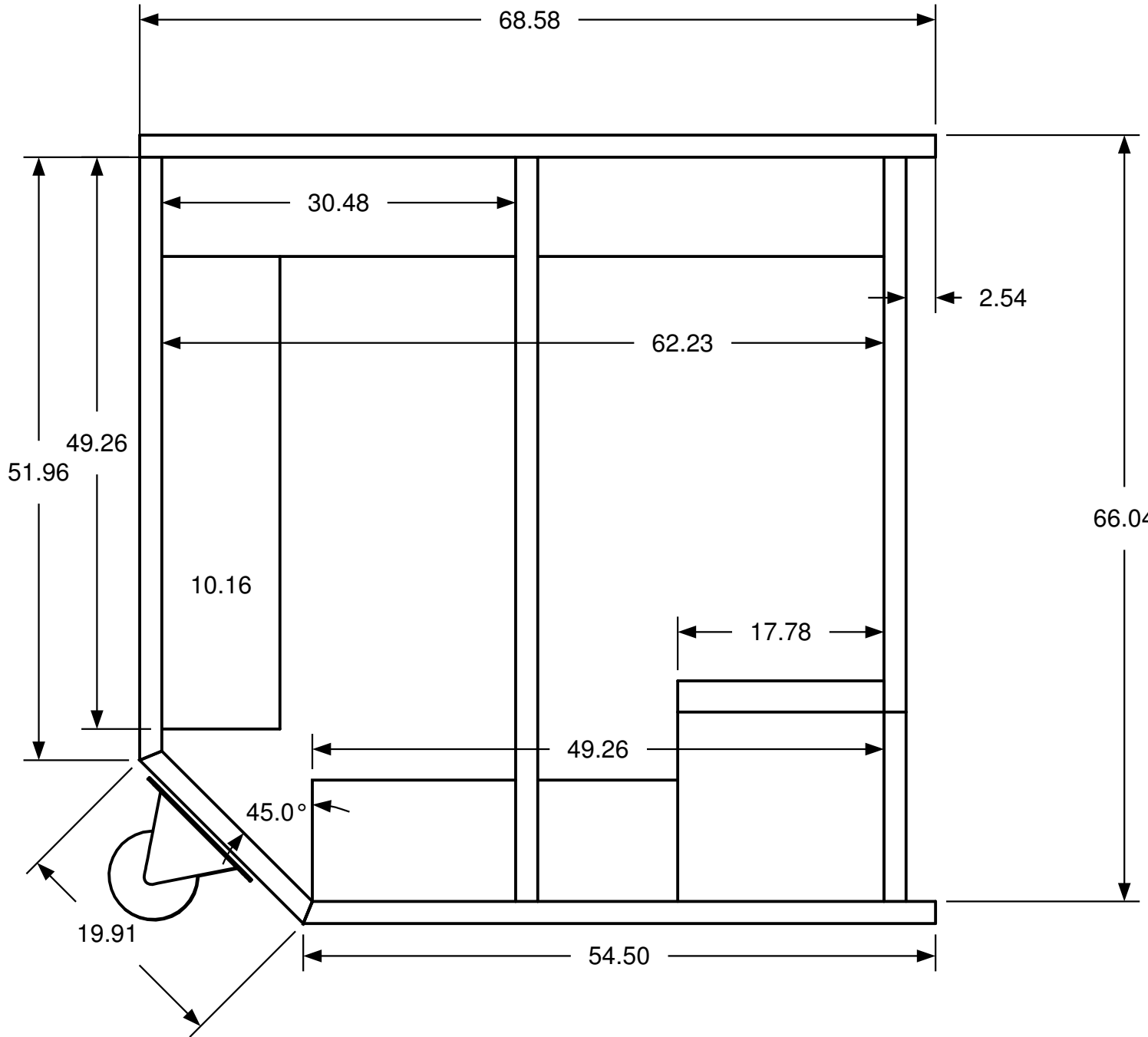
out 12/19/09 3:22:56 AM

Cursor = 5.6 dB at 10.0 Hz (23.8 degs)

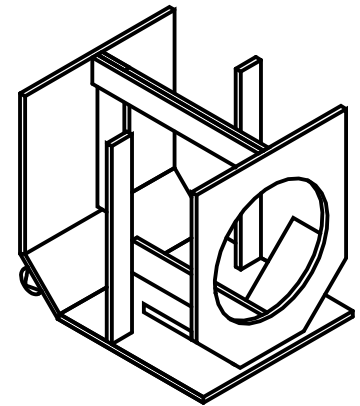
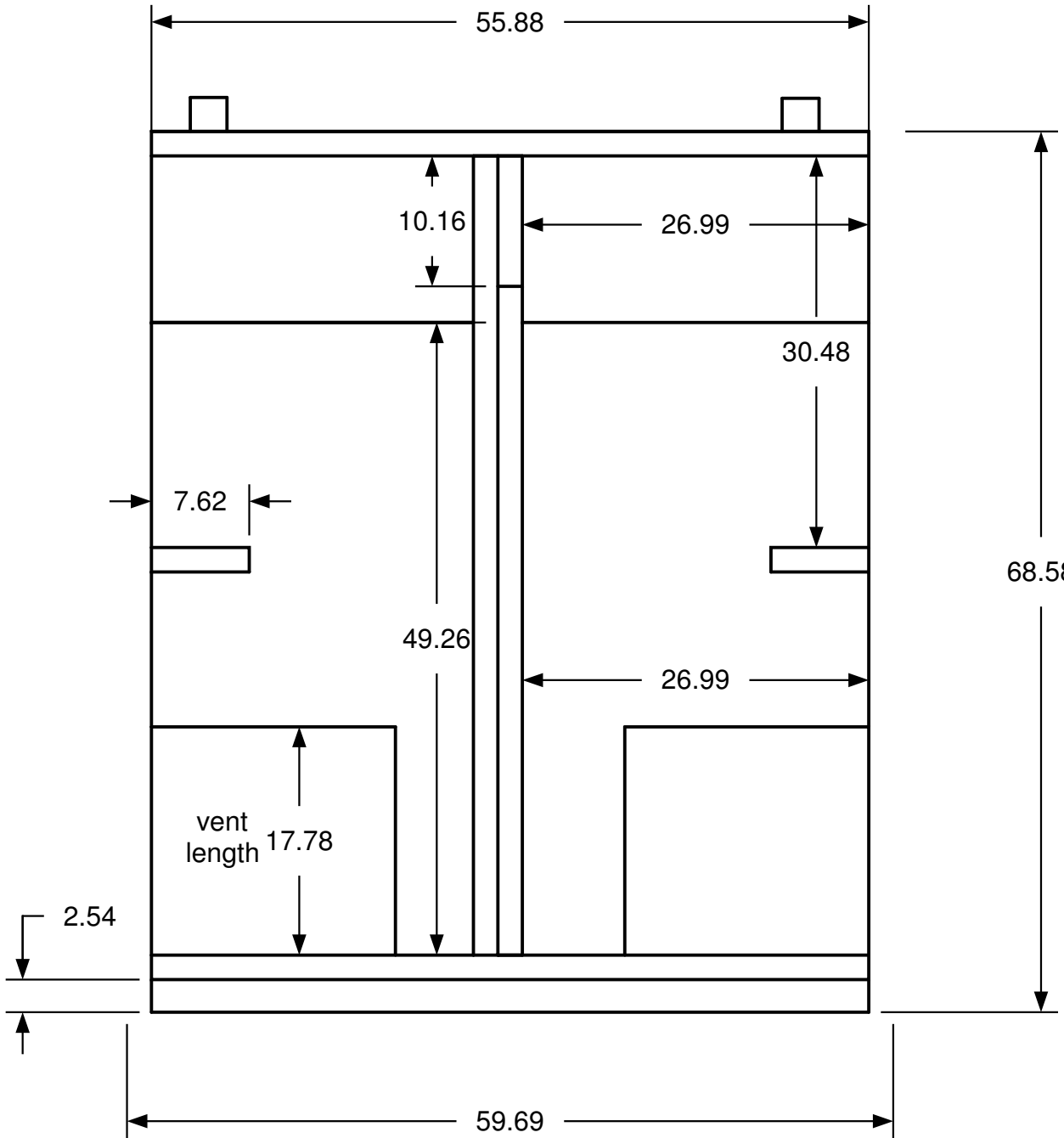
18NDSW 100

8192 Samples, Frequency Res = 2.9 Hz

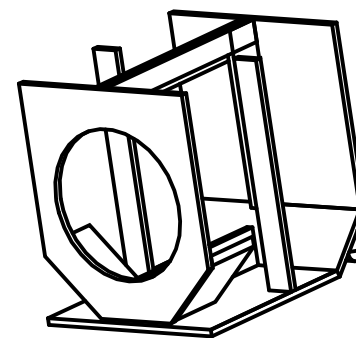
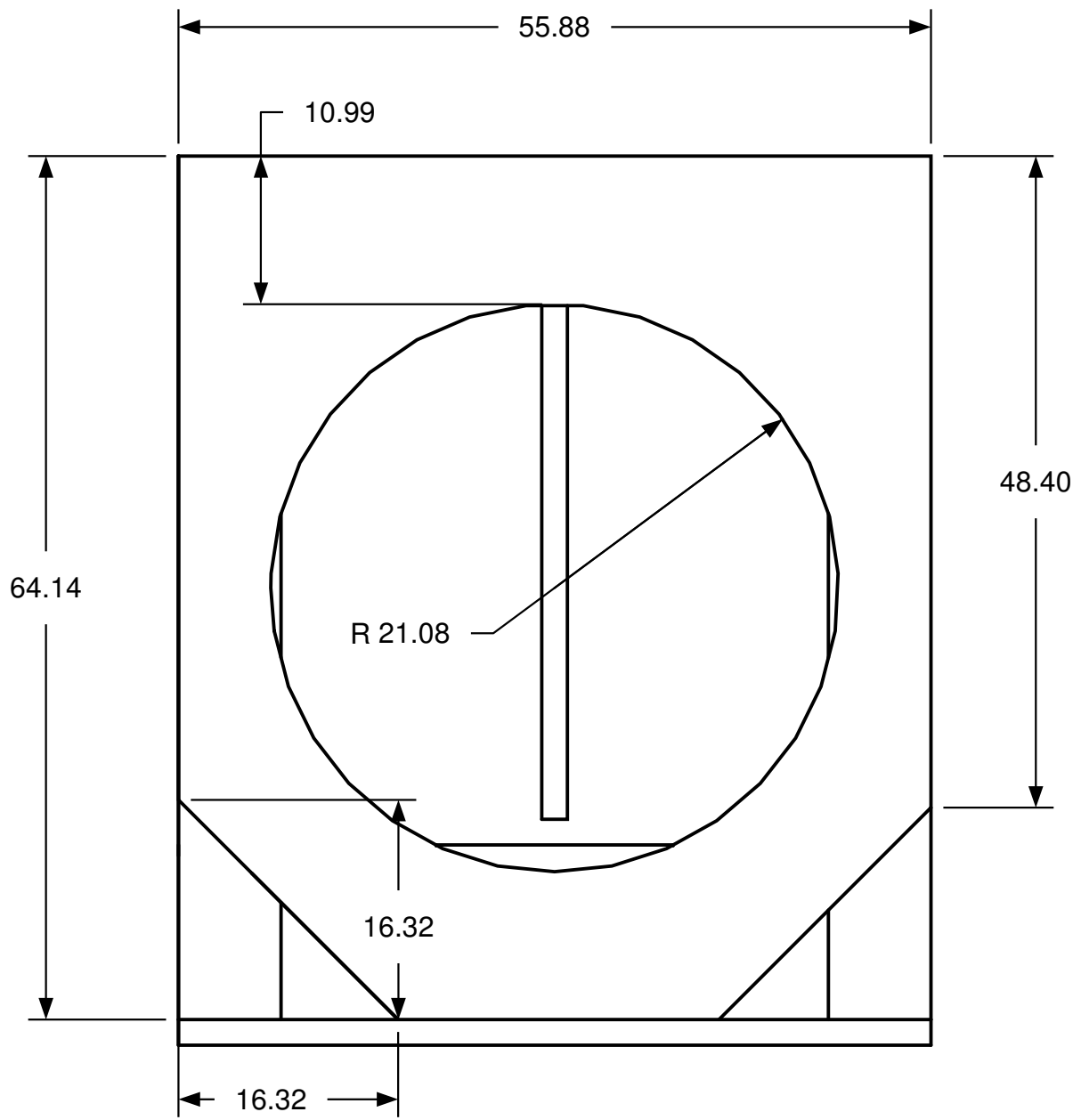




S18AN side view
Material 18mm Birch Plywood



S18AN interior parts
Material 18mm Birch Plywood



S18AN baffle
Material 18mm Birch Plywood