



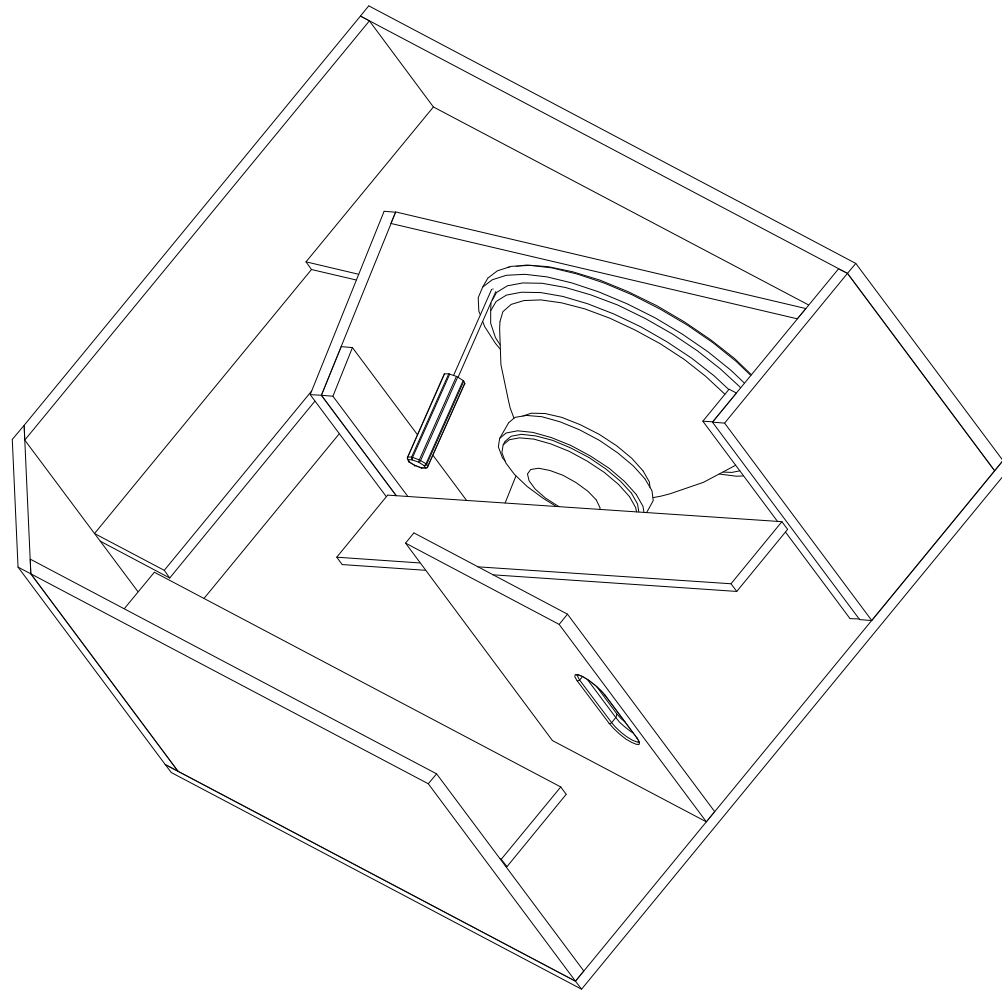
# **S18H**

**Subwoofer**

**B&C Component Options**

18" Woofer – 18TBX100 8 ohm

[www.bcspeakers.com](http://www.bcspeakers.com)

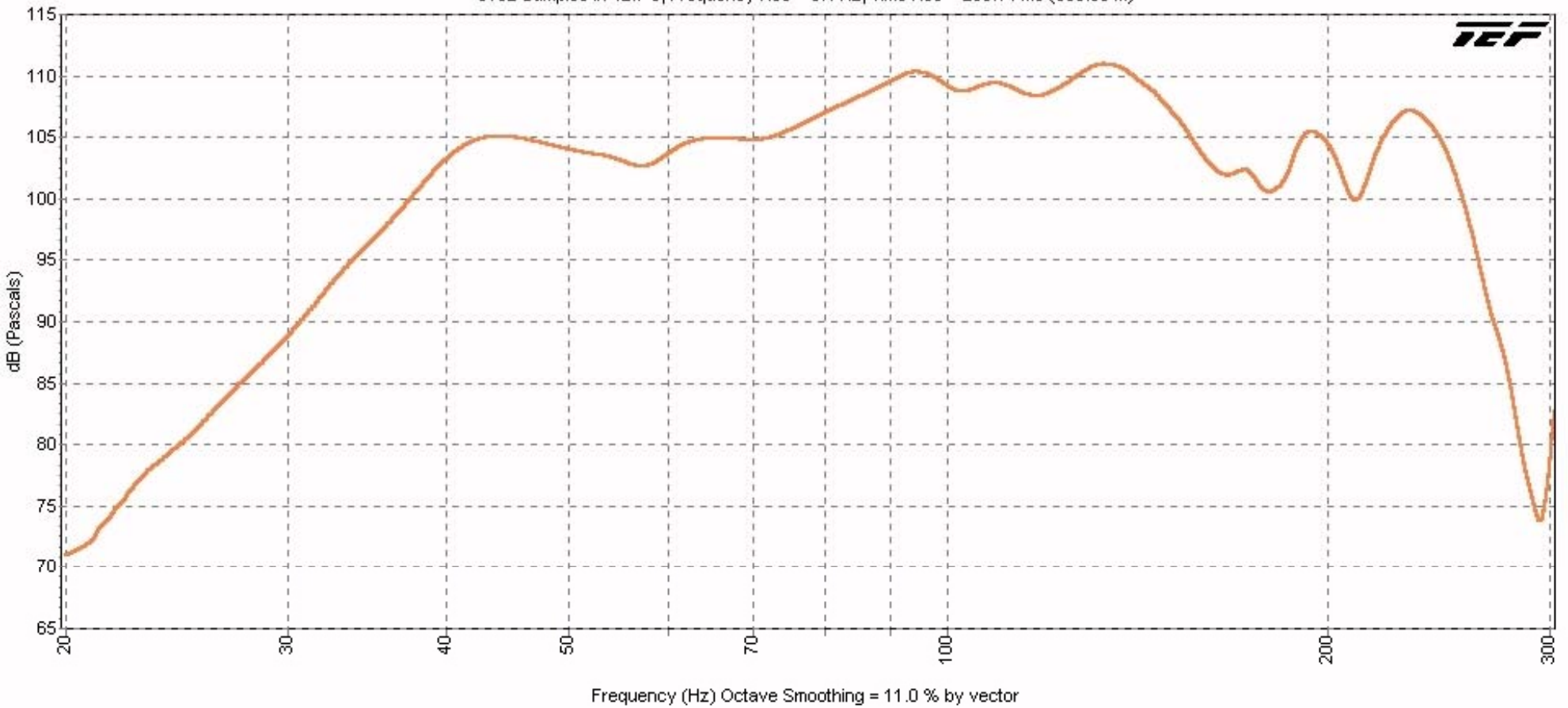


S18H 3D

18mm

**18tbx100**

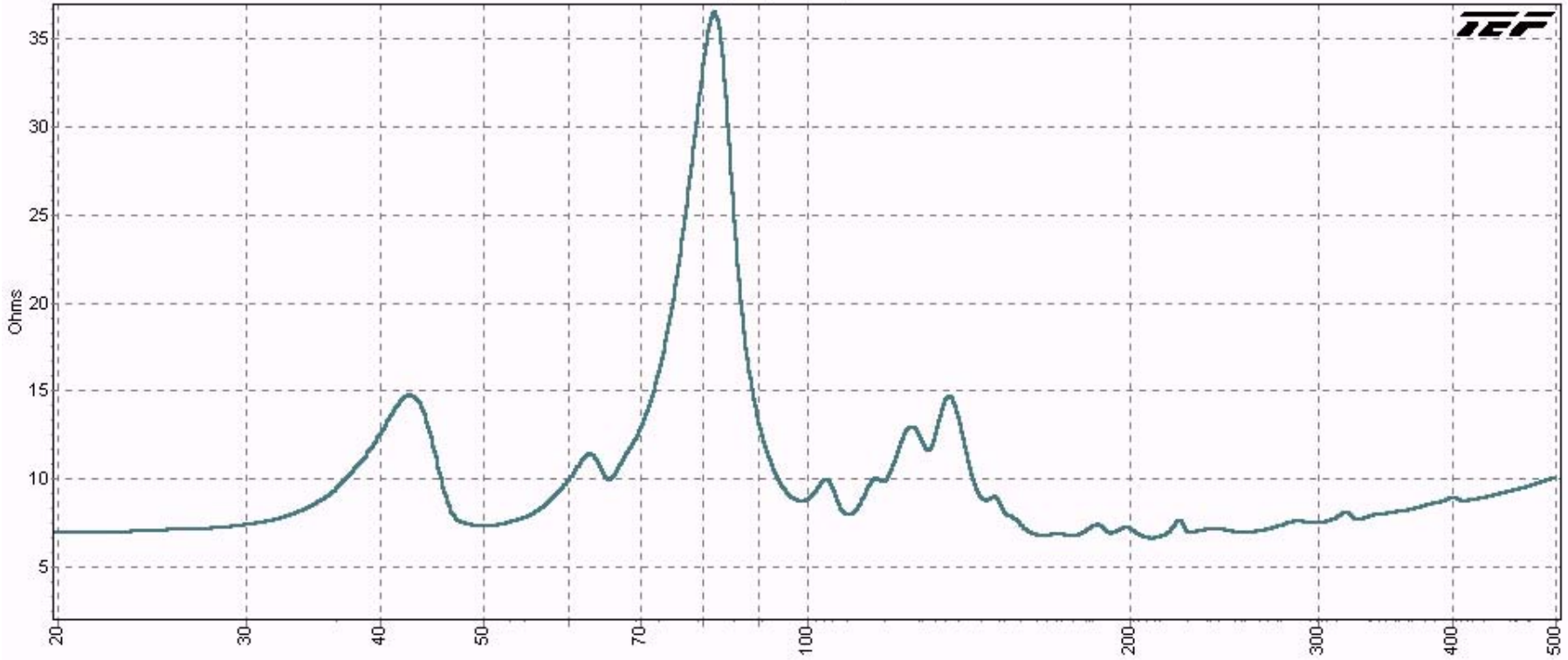
8192 Samples in 42.7 s, Frequency Res = 3.4 Hz, Time Res = 298.14 ms (336.88 m)



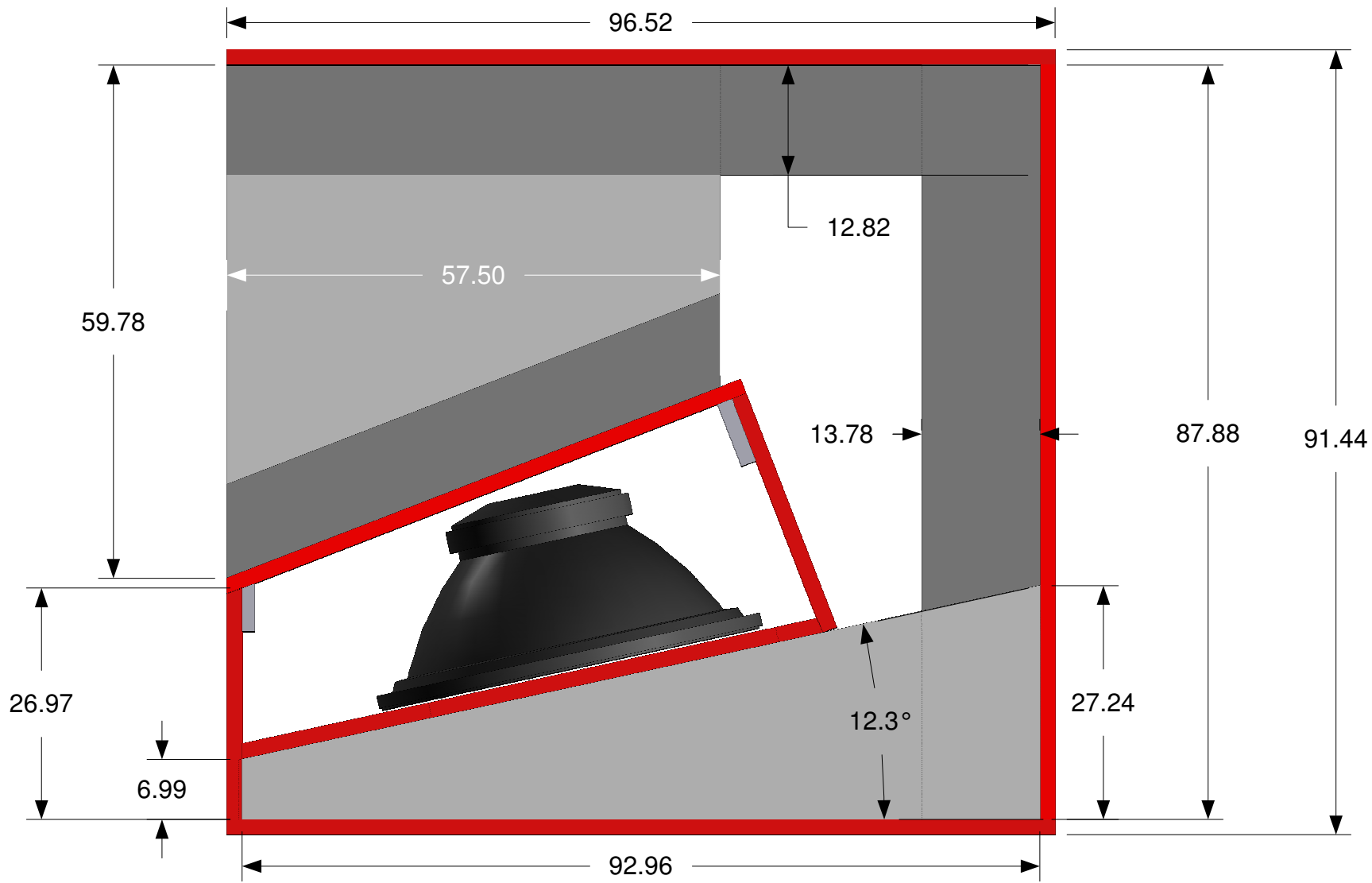
Frequency (Hz) Octave Smoothing = 11.0 % by vector

Z-----18 horn TBX 100 feb 21 2011.imp

4096 Samples, Frequency Res = 3.7 Hz

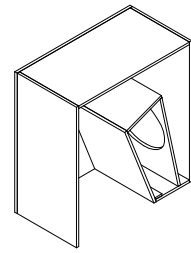
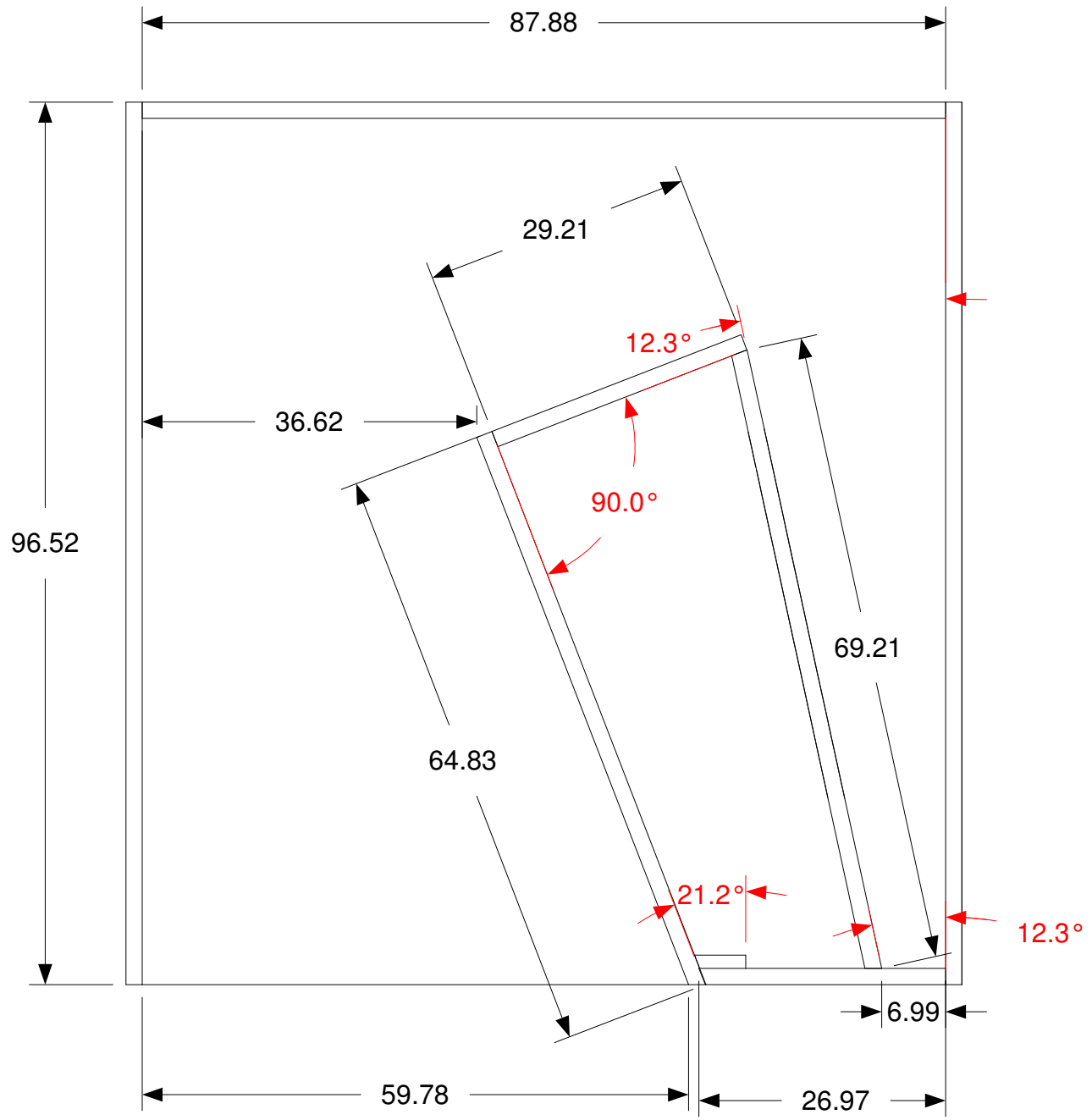


Frequency (Hz) Octave Smoothing = 0.0 % by vector

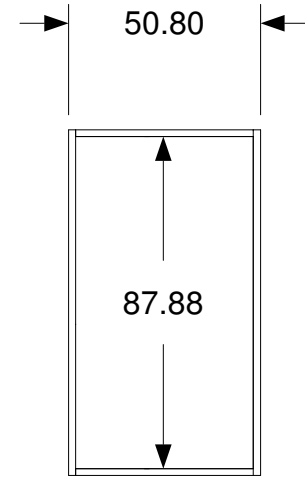
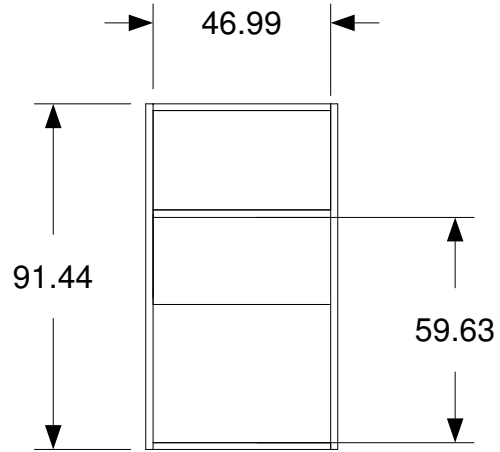
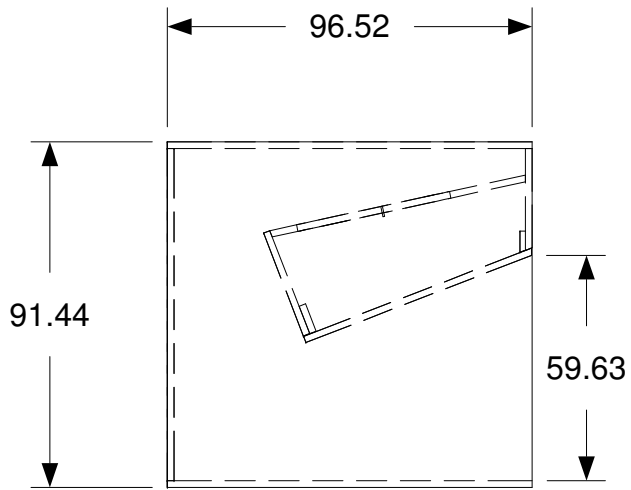
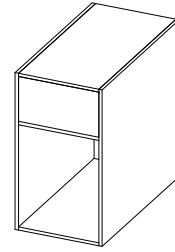


S18H BASSHORN

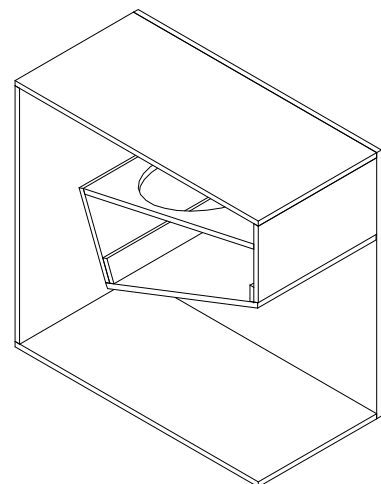
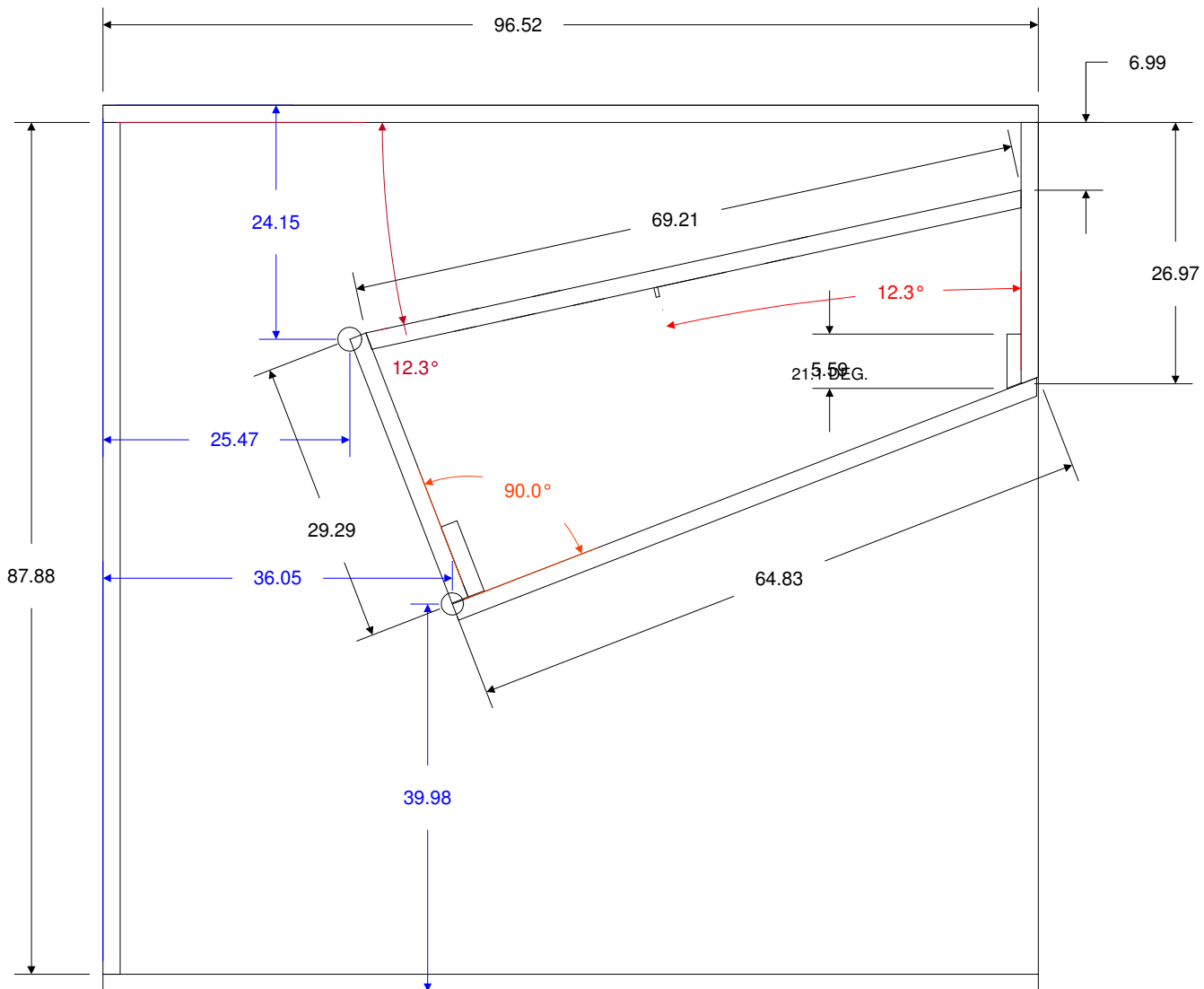
18mm



S18H GENERAL DIMS
18mm

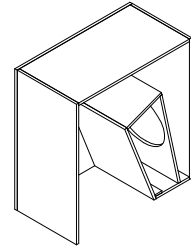
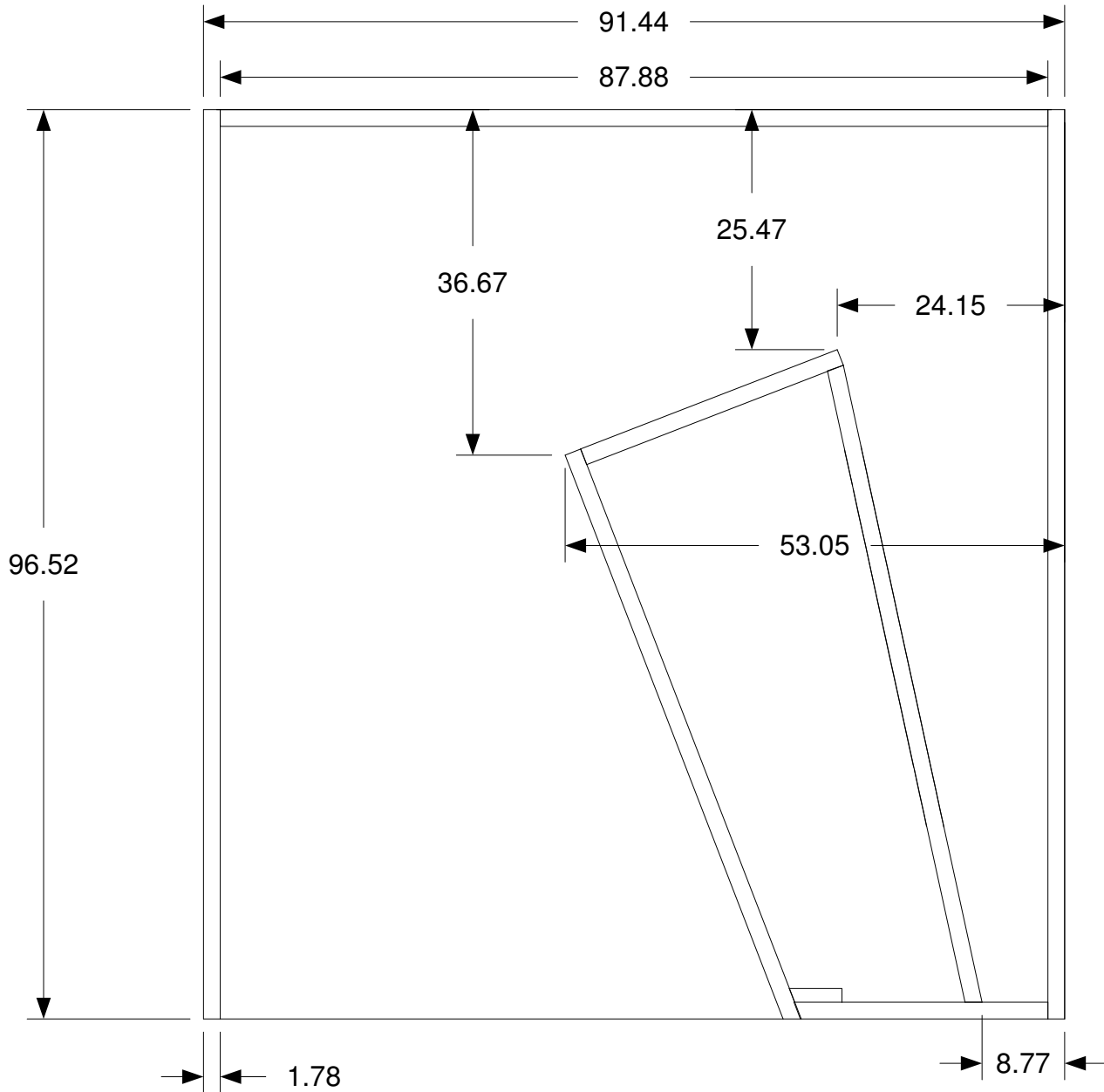


S18H WIDTH
18mm



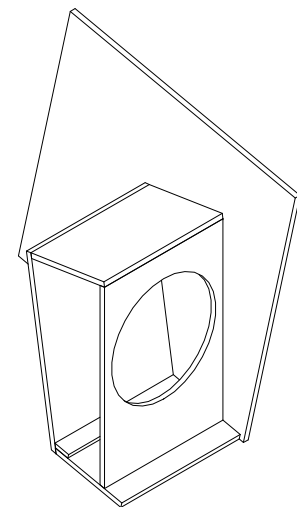
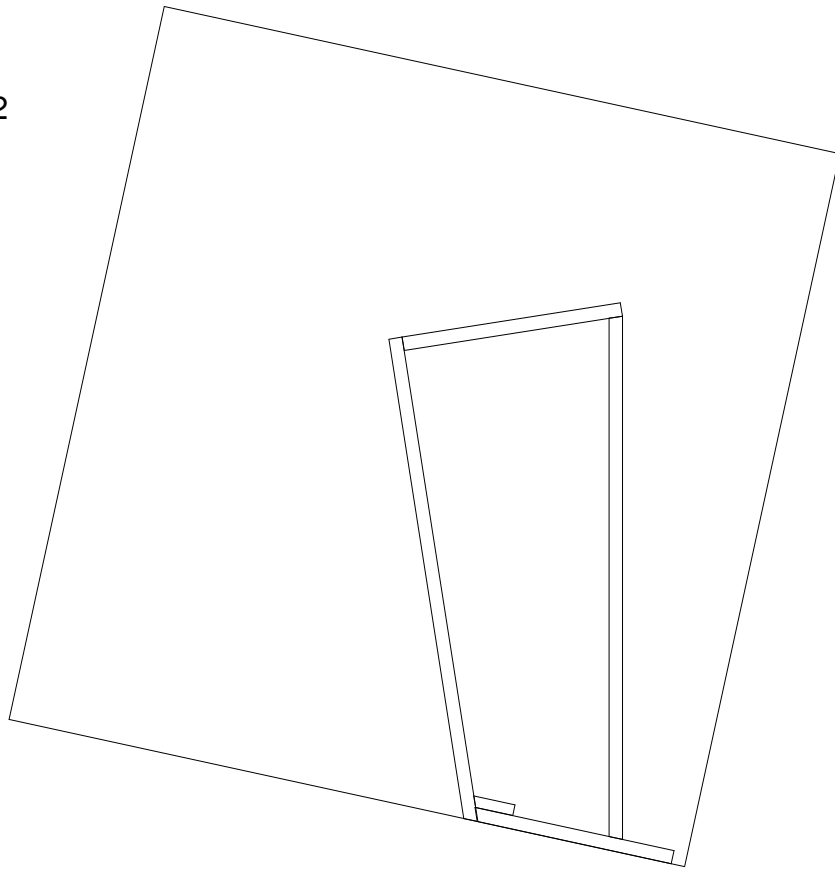
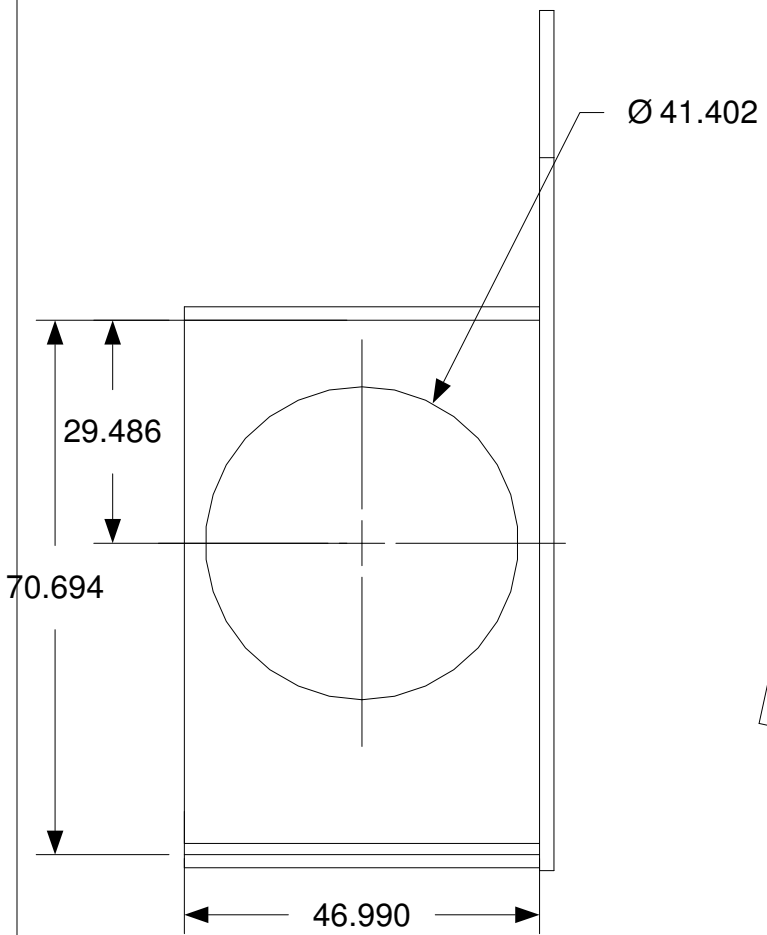
S18H INSIDE DIMS
18mm





S18H LOCATION POINTS

18mm



18mm