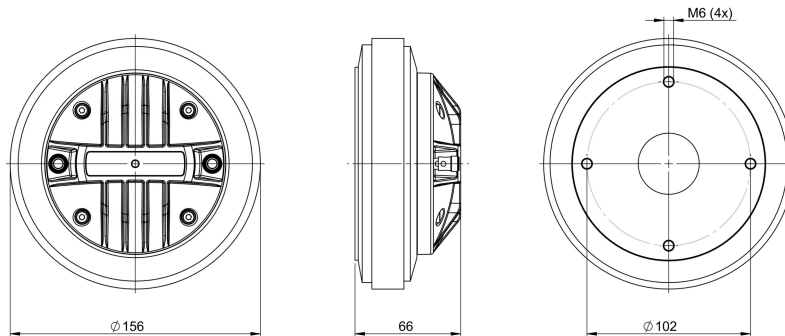


DE618TN

16Ω

HF Drivers - 1.4 Inches



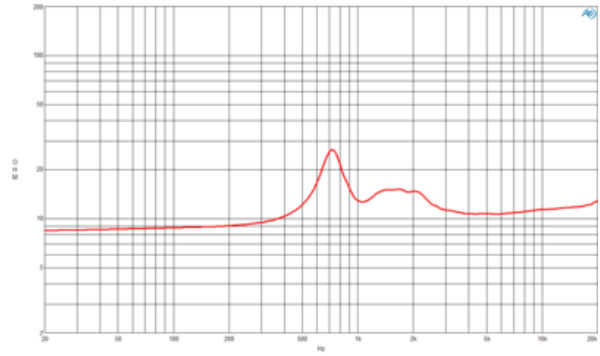
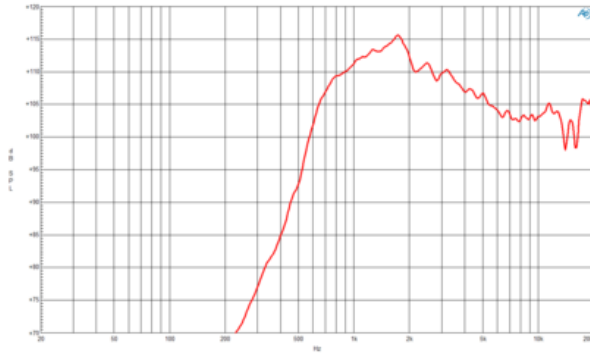
- 160 W continuous program power capacity
- 1.4" horn throat diameter
- 65 mm (2.5 in) aluminium voice coil
- Titanium diaphragm
- 1000 - 18000 Hz response
- 108.5 dB sensitivity
- Ferrite magnet assembly with shorting copper cap

DESCRIPTION

The DE618TN is the ferrite magnet version of our premium DE680TN. The diaphragm in this model has been completely redesigned to incorporate a bent edge voice coil former, as well as new dome and surround geometry. These modifications combine to better control diaphragm displacement and deformations, resulting in lower distortion and a smoother higher frequency response above 10kHz.

DE618TN

HF Drivers- 1.4 Inches



SPECIFICATIONS¹

Throat Diameter	36 mm (1.4 in)
Nominal Impedance	16 Ω
Minimum Impedance	10.7 Ω
Nominal Power Handling ²	80 W
Continuous Power Handling ³	160 W
Sensitivity ⁴	108.5 dB
Frequency Range	1.0 - 18.0 kHz
Recommended Crossover ⁵	1.2 kHz
Voice Coil Diameter	65 mm (2.5 in)
Winding Material	Aluminium
Inductance	0.15 mH
Diaphragm Material	Titanium
Flux Density	1.75 T
Magnet Material	Ferrite

MOUNTING AND SHIPPING INFO

Four M6 holes 90° on 102 mm (4 in) diameter	
Overall Diameter	156 mm (6.14 in)
Depth	66 mm (2.6 in)
Net Weight	3.8 kg (8.38 lb)
Shipping Units	2
Shipping Weight	8.1 kg (17.86 lb)
Shipping Box	210x210x190 mm (8.27x8.27x7.48 in)

REPLACEMENT DIAPHRAGM

MMD25BTN8M

1. Driver mounted on B&C ME 90 horn.
2. 2 hour test made with continuous pink noise signal (6 dB crest factor) within the range from the recommended crossover frequency to 20 kHz. Power calculated on rated minimum impedance.
3. Power on Continuous Program is defined as 3 dB greater than the Nominal rating.
4. Applied RMS Voltage is set to 4 V for 16 ohms Nominal Impedance.
5. 12 dB/oct. or higher slope high-pass filter.