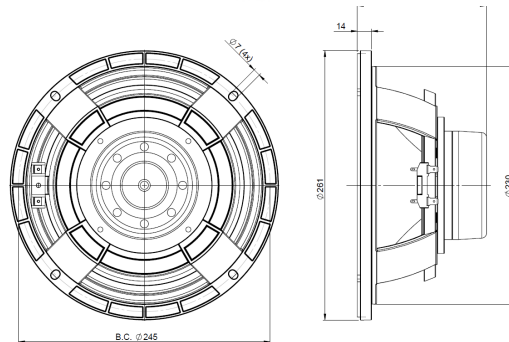


# 10MBX64

**8Ω****LF Drivers - 10.0 Inches**

- **\*\*\* Preliminary Data \*\*\***
- **700 W continuous program power capacity**
- **64 mm (2.5 in) aluminium voice coil**
- **65 - 6000 Hz response**
- **99 dB sensitivity**
- **Neodymium inside slug magnet assembly**
- **Aluminium demodulating ring allows a very low distortion figure**
- **Ventilated voice coil gap for reduced power compression**

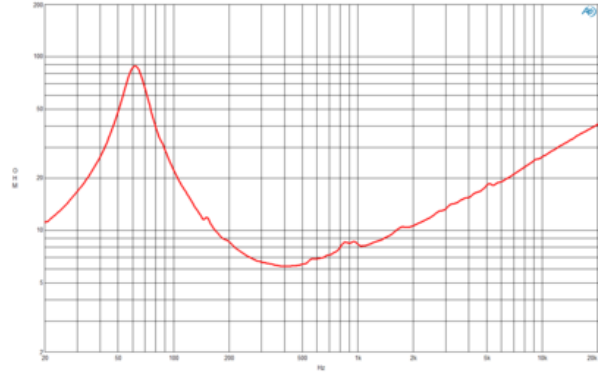
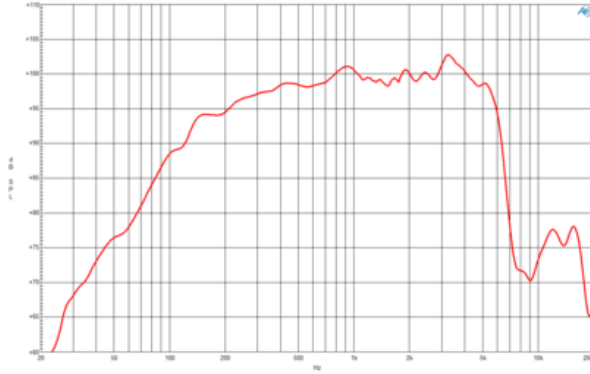


## DESCRIPTION

The MBX series mid-bass woofers from B&C Speakers offer acoustic designers a new range of high efficiency, wide bandwidth alternatives that are not currently available in the B&C range. These full-featured transducers incorporate lightweight neodymium motors, inside/outside wound copper clad aluminum wire voice coils, weatherproof impregnated paper cones, and a symmetrical inductance profile. The MBX Series is especially well suited for two-way loudspeaker enclosures.

# 10MBX64

## LF Drivers- 10.0 Inches



### SPECIFICATIONS

Nominal Diameter	250 mm (10.0 in)
Nominal Impedance	8 $\Omega$
Minimum Impedance	6.5 $\Omega$
Nominal Power Handling <sup>1</sup>	350 W
Continuous Power Handling <sup>2</sup>	700 W
Sensitivity <sup>3</sup>	99.0 dB
Frequency Range	65 - 6000 Hz
Voice Coil Diameter	64 mm (2.5 in)
Winding Material	Aluminium
Former Material	Glass Fibre
Winding Depth	13.0 mm (0.51 in)
Magnetic Gap Depth	8.0 mm (0.31 in)
Flux Density	1.25 T

### DESIGN

Surround Shape	Double Roll
Cone Shape	Radial
Magnet Material	Neodymium Inside Slug
Spider	Single
Pole Design	T-Pole
Woofer Cone Treatment	Waterproof Impregnated Cone

### PARAMETERS<sup>4</sup>

Resonance Frequency	65 Hz
Re	5.4 $\Omega$
Qes	0.28
Qms	4.0
Qts	0.26
Vas	26.0 dm <sup>3</sup> (0.92 ft <sup>3</sup> )
Sd	346.0 cm <sup>2</sup> (53.63 in <sup>2</sup> )
$\eta_0$	3.1 %
Xmax	4.5 mm
Xvar	5.0 mm
Mms	33.0 g
Bl	17.1 Txm
Le	0.44 mH
EBP	232 Hz

### MOUNTING AND SHIPPING INFO

Overall Diameter	261 mm (10.28 in)
Bolt Circle Diameter	245 mm (9.65 in)
Baffle Cutout Diameter	230.0 mm (9.06 in)
Depth	125 mm (4.92 in)
Flange and Gasket Thickness	14 mm (0.55 in)
Air Volume Occupied by Driver	1.5 dm <sup>3</sup> (0.05 ft <sup>3</sup> )
Net Weight	3.2 kg (7.05 lb)
Shipping Units	1
Shipping Weight	3.8 kg (8.38 lb)
Shipping Box	295x314x175 mm (11.61x12.36x6.89 in)

### SERVICE KIT

RCK10MBX648

- 2 hours test made with continuous pink noise signal (6 dB crest factor) within the range Fs-10Fs. Power calculated on rated minimum impedance. Loudspeaker in free air.
- Power on Continuous Program is defined as 3 dB greater than the Nominal rating.
- Applied RMS Voltage is set to 2.83 V for 8 ohms Nominal Impedance.
- Thiele-Small parameters are measured after a high level 20 Hz sine wave preconditioning test.