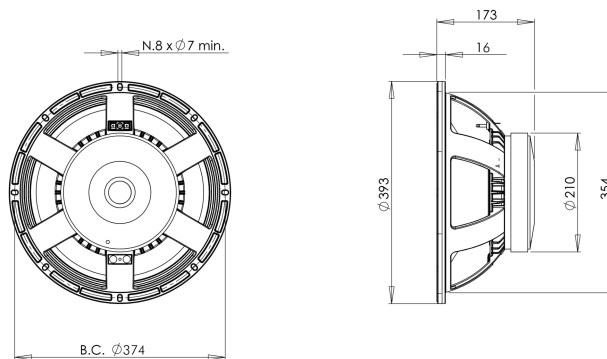


# 15RBX100

**8Ω****LF Drivers - 15.0 Inches**

- 2000 W continuous program power capacity
- 100 mm (4 in) copper voice coil
- 40 - 3000 Hz response
- 95 dB sensitivity
- Aluminium demodulating ring allows a very low distortion figure
- Double silicone spider with optimized compliance



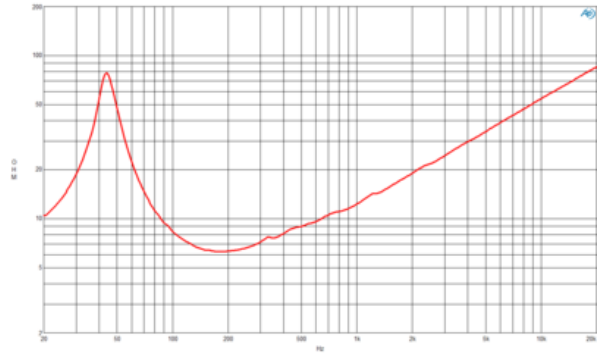
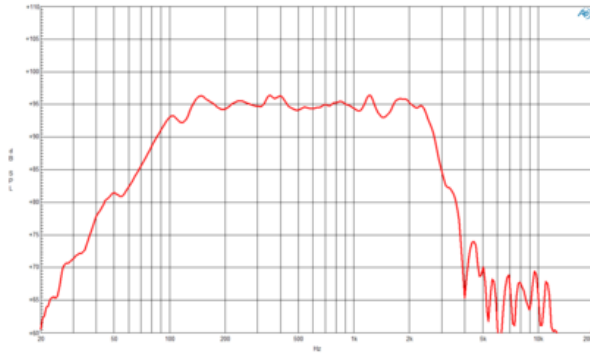
## DESCRIPTION

The B&C 15RBX100 anchors our ferrite subwoofer line, and features an all new FEA optimized motor structure. The 25mm high, 4" (100mm) diameter copper wire voice coil is combined with a laminated double silicone spider, water resistant curvilinear cone and triple roll surround, for even more excursion and linearity.

The corrosion resistant motor structure incorporates an aluminum demodulation ring that effectively controls inductive rise as well as harmonic and intermodulation distortion. This subwoofer can be used for a wide variety of applications, including compact vented enclosures.

# 15RBX100

LF Drivers- 15.0 Inches



## SPECIFICATIONS

Nominal Diameter	380 mm (15.0 in)
Nominal Impedance	8 Ω
Minimum Impedance	6.4 Ω
Nominal Power Handling <sup>1</sup>	1000 W
Continuous Power Handling <sup>2</sup>	2000 W
Sensitivity <sup>3</sup>	95.0 dB
Frequency Range	40 - 3000 Hz
Voice Coil Diameter	100 mm (4.0 in)
Winding Material	Copper
Former Material	Glass Fibre
Winding Depth	25.0 mm (1.0 in)
Magnetic Gap Depth	11.0 mm (0.43 in)
Flux Density	1.1 T

## DESIGN

Surround Shape	Triple Roll
Cone Shape	Curvilinear
Magnet Material	Ferrite
Spider	Double Silicone
Pole Design	T-Pole
Woofer Cone Treatment	TWP Waterproof Both Sides
Recommended Enclosure	85.0 dm <sup>3</sup> (3.0 ft <sup>3</sup> )
Recommended Tuning	45 Hz

## PARAMETERS<sup>4</sup>

Resonance Frequency	44 Hz
Re	5.3 Ω
Qes	0.4
Qms	5.65
Qts	0.38
Vas	100.0 dm <sup>3</sup> (3.53 ft <sup>3</sup> )
Sd	908.0 cm <sup>2</sup> (140.74 in <sup>2</sup> )
η <sub>o</sub>	2.0 %
Xmax	9.0 mm
Xvar	10.0 mm
Mms	154.0 g
Bl	24.0 Txm
Le	1.2 mH
EBP	110 Hz

## MOUNTING AND SHIPPING INFO

Overall Diameter	393 mm (15.47 in)
Bolt Circle Diameter	374 mm (14.72 in)
Baffle Cutout Diameter	354.0 mm (13.94 in)
Depth	173 mm (6.81 in)
Flange and Gasket Thickness	16 mm (0.63 in)
Air Volume Occupied by Driver	5.0 dm <sup>3</sup> (0.18 ft <sup>3</sup> )
Net Weight	11.7 kg (25.79 lb)

## SERVICE KIT

RCK15RBX1008

1. 2 hours test made with continuous pink noise signal (6 dB crest factor) within the range Fs-10Fs. Power calculated on rated minimum impedance. Loudspeaker in free air.
2. Power on Continuous Program is defined as 3 dB greater than the Nominal rating.
3. Applied RMS Voltage is set to 2.83 V for 8 ohms Nominal Impedance.
4. Thiele-Small parameters are measured after a high level 20 Hz sine wave preconditioning test.

**B&C Speakers s.p.a.**

Via Poggiomoro, 1 - Loc. Vallina, 50012 Bagno a Ripoli (FI) - ITALY - Tel. +39 055 65721 - Fax +39 055 6572312 - mail@bcspeakers.com