

# FB12NCX 8 Ω

## SPECIFICATIONS

Nominal Impedance	<b>8 Ω</b>
Crossover Frequency	<b>1.5 kHz</b>
Filter Type	<b>Two Way</b>
Slope	<b>12 - 12 dB/oct</b>
Overall Dimensions	<b>116x105 mm (4.57x4.13 in)</b>

## MOUNTING AND SHIPPING INFO

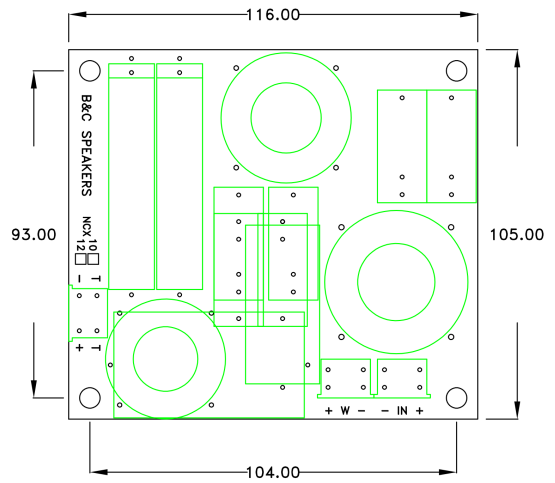
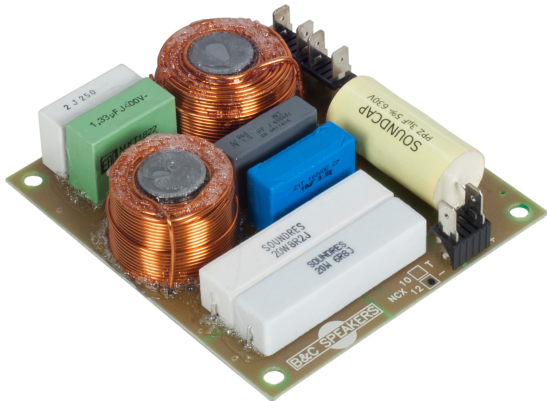
Net Weight	<b>0.48 kg (1.06 lb)</b>
Shipping Units	<b>1 pcs</b>
Shipping Weight	<b>0.51 kg (1.12 lb)</b>
Shipping Box	<b>120x125x35 mm (4.72x4.92x1.38 in)</b>

## POTENTIAL APP. COAXIALS

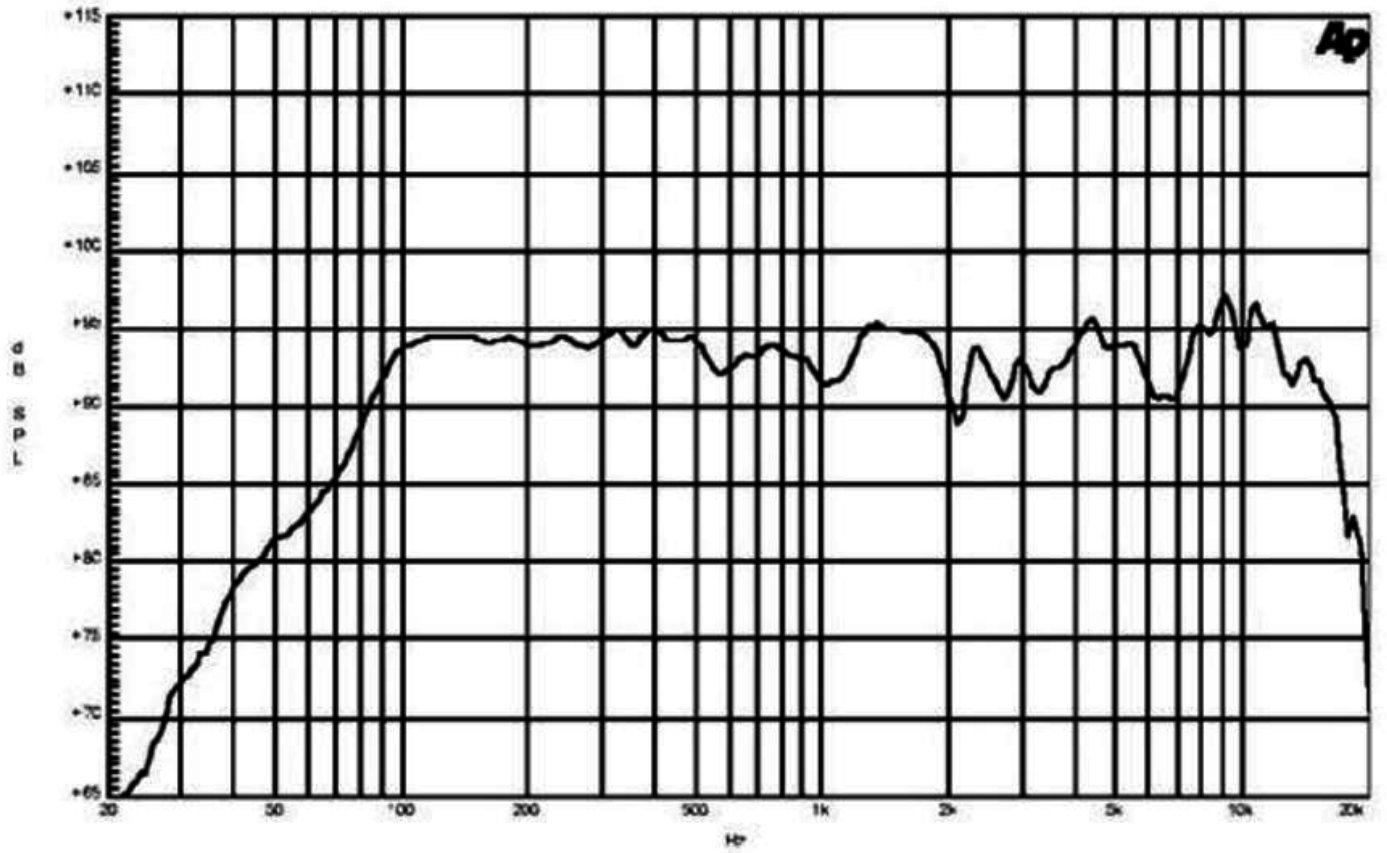
12NCX	<b>8Ω</b>
-------	-----------



Dedicated crossover network for 12NCX coaxial speaker



**FB12NCX** 8 Ω



**FB12NCX 8 Ω**

