

ME148

SPECIFICATIONS

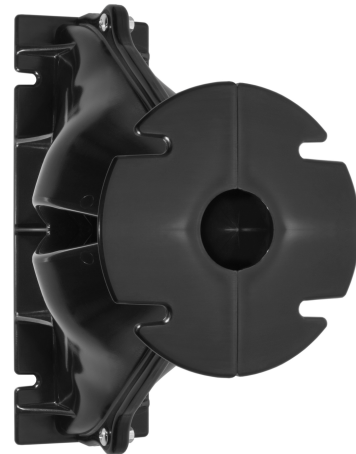
<p>Horn mounted on B&C DCX464 compression driver.</p>

Throat Diameter	36 mm (1.4 in)
Nominal Coverage Horizontal	120°
Cutoff Frequency	0.5 kHz
Material	Polycarbonate
Design	Line Array Optimized Waveguide
Dimensions	240x80x174.5 mm (9.4x3.15x6.9 in)

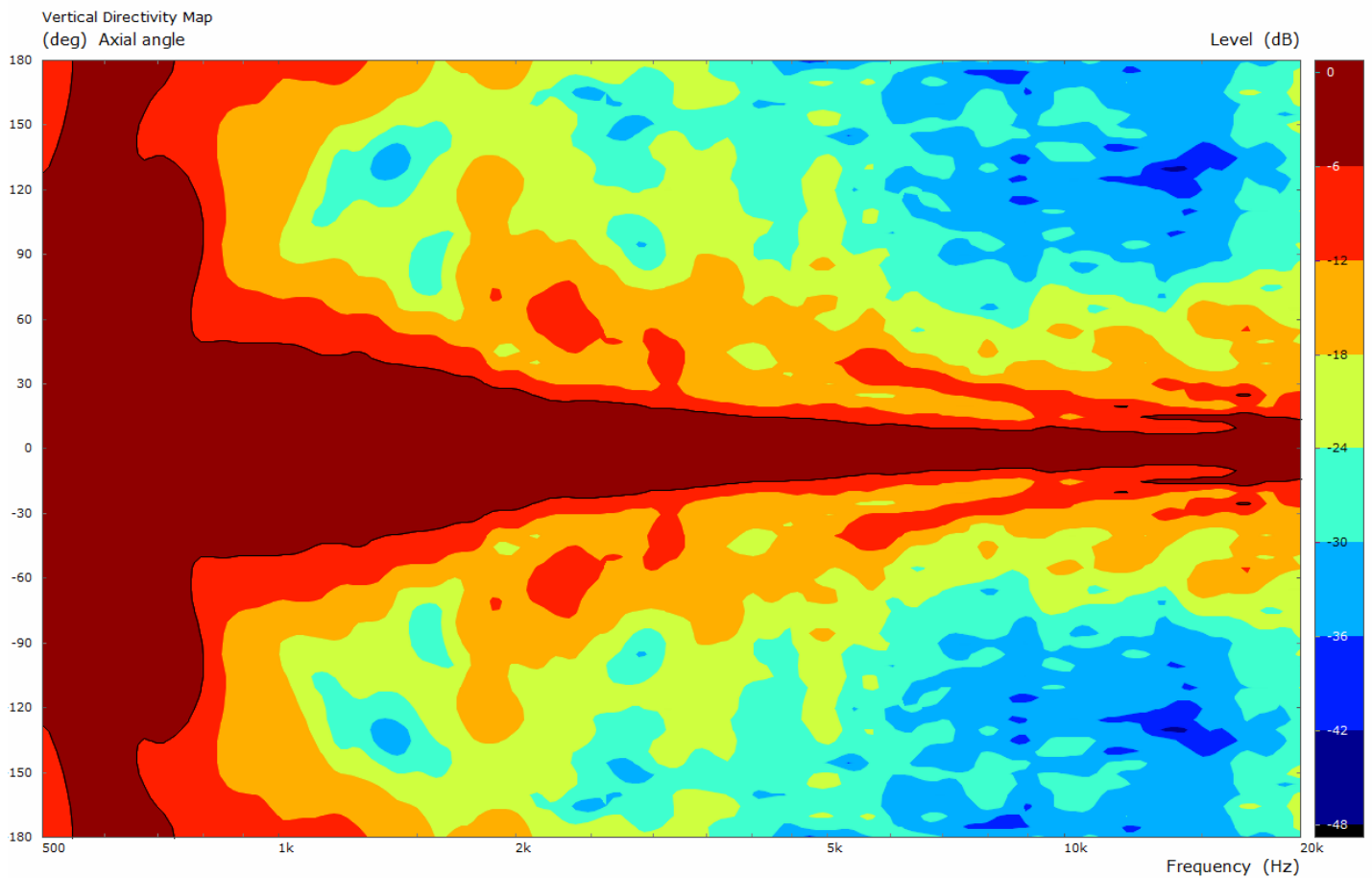
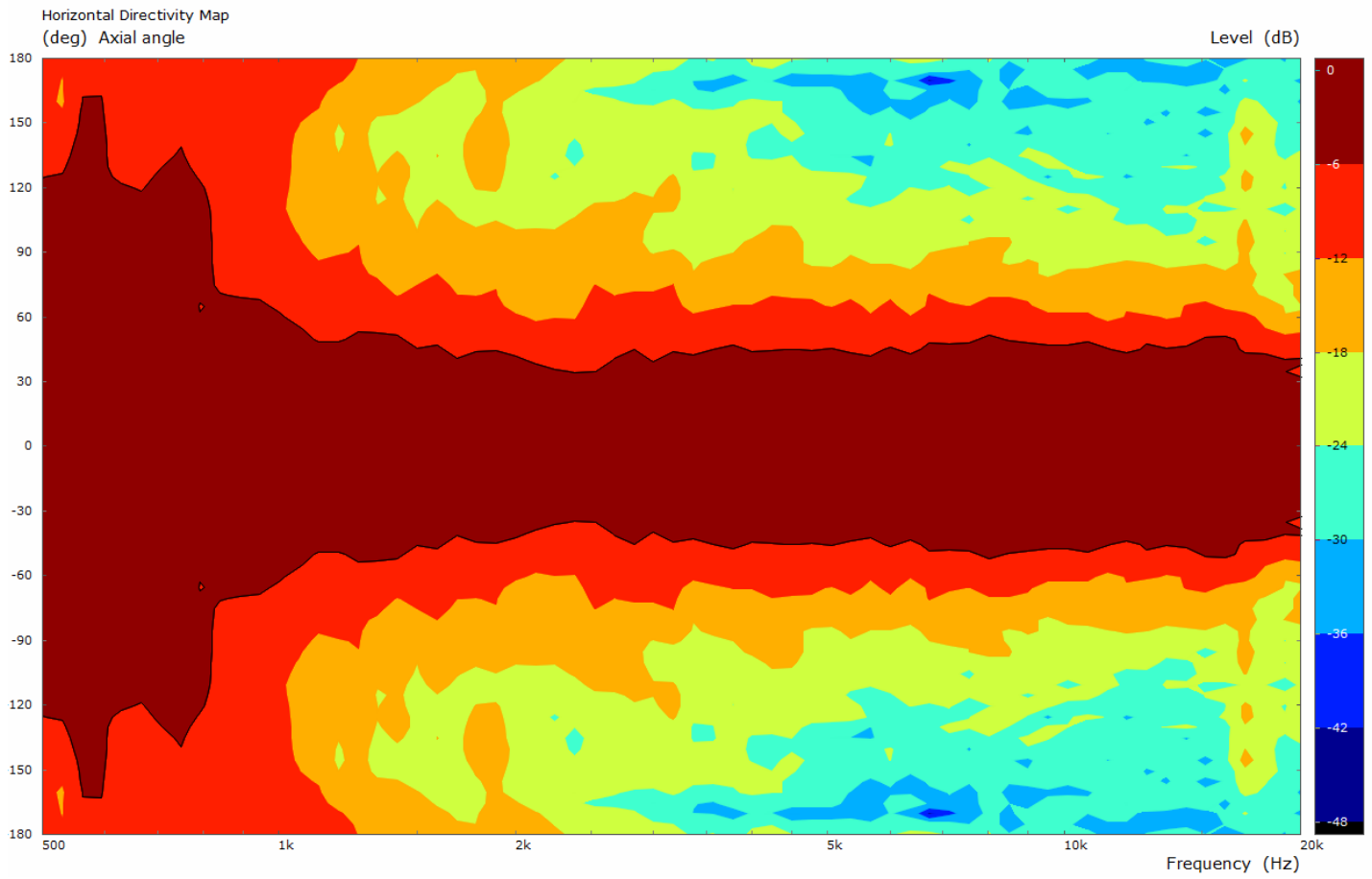
MOUNTING AND SHIPPING INFO

Net Weight	0.75 kg (1.65 lb)
Shipping Units	1 pcs
Shipping Weight	1.2 kg (2.65 lb)
Shipping Box	255x255x150 mm (10x10x5.9 in)

- 1.4" throat entry
- Line Array optimized Waveguide
- 120° max horizontal coverage
- Vertical coverage depends on configuration
- Very good loading down to 500 Hz
- Designed specifically for the extra octaves present in our coaxial compression driver



ME148



ME148

