

ME102

SPECIFICATIONS

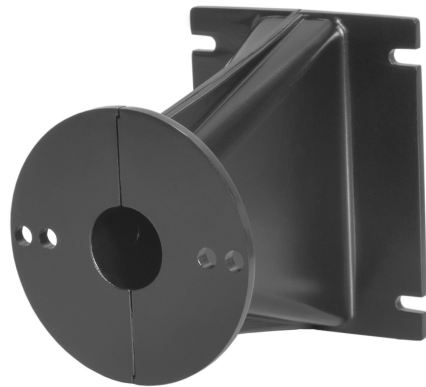
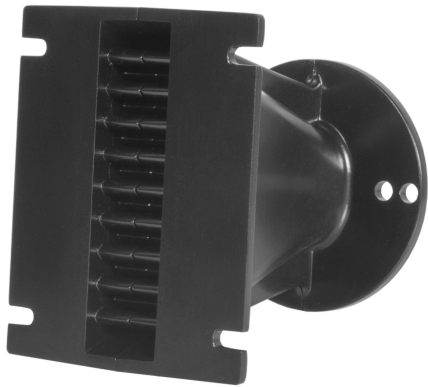
Horn mounted on B&C DE 750 compression driver.

Throat Diameter	25 mm (1 in)
Nominal Coverage Horizontal	140°
Cutoff Frequency	1 kHz
Material	Cast Aluminium
Design	Line Array Optimized Waveguide
Dimensions	110.6x87x111.6 mm (4.35x3.43x4.39 in)

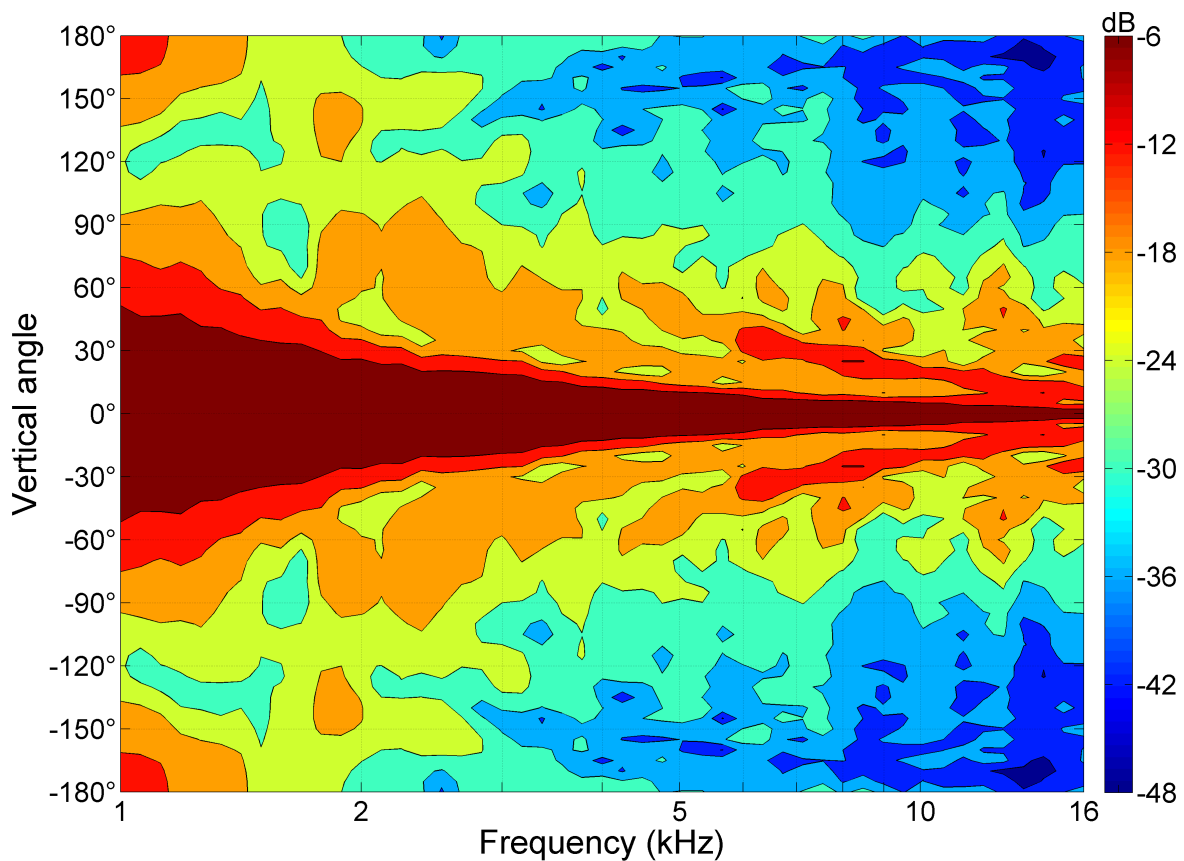
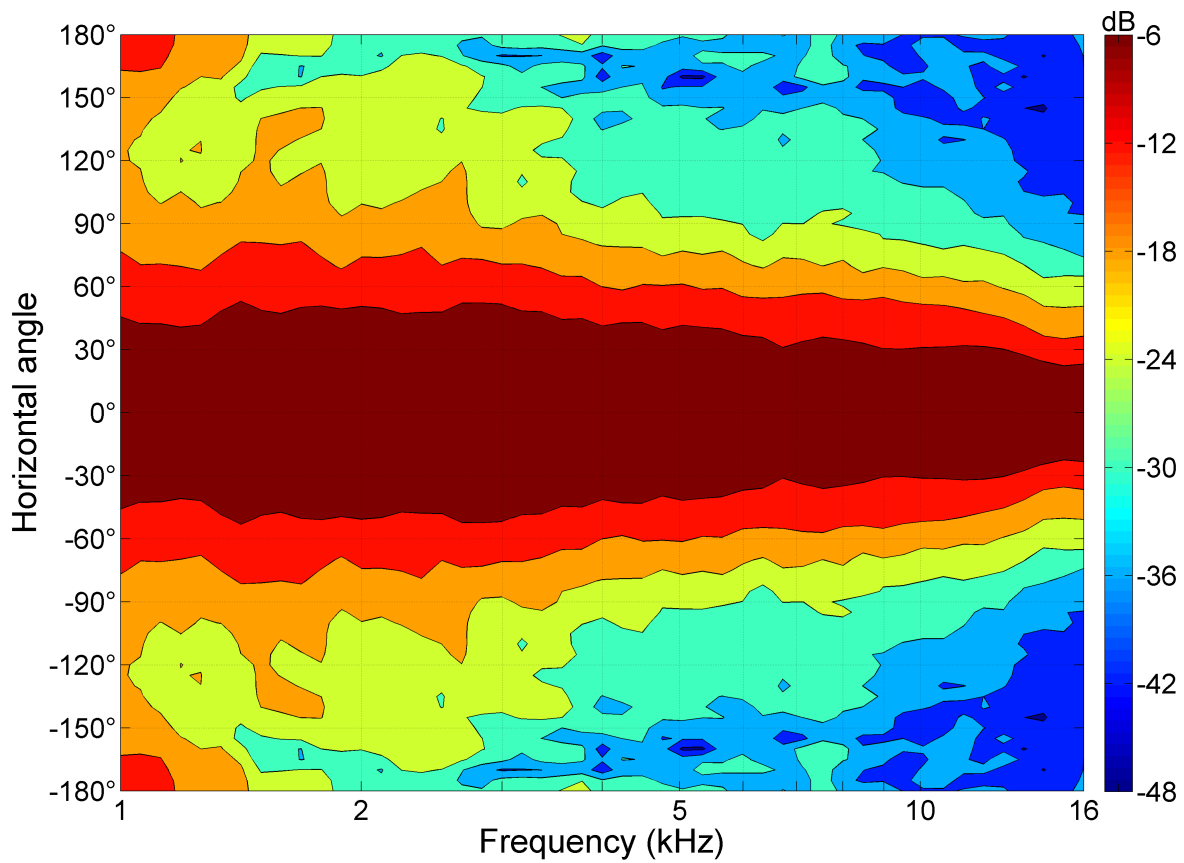
- 1" throat entry
- Line Array optimized Waveguide
- 140° max horizontal coverage
- Vertical coverage depends on configuration
- Very good loading down to 1 kHz

MOUNTING AND SHIPPING INFO

Other details	Two 6 mm (0.25 in) holes on 76 mm (3 in) diameter - Two 6 mm (0.25 in) holes on 57.2 mm (2.25 in) diameter
Baffle Cutout Dimension	102.4 mm (4.03 in)
Air Volume Occupied by Driver	0.15 dm³ (0.01 ft³)
Net Weight	0.43 kg (0.95 lb)
Shipping Units	1 pcs
Shipping Weight	0.49 kg (1.08 lb)
Shipping Box	165x165x100 mm (6.50x6.50x3.94 in)



ME102



ME102

