

## ME45

### SPECIFICATIONS

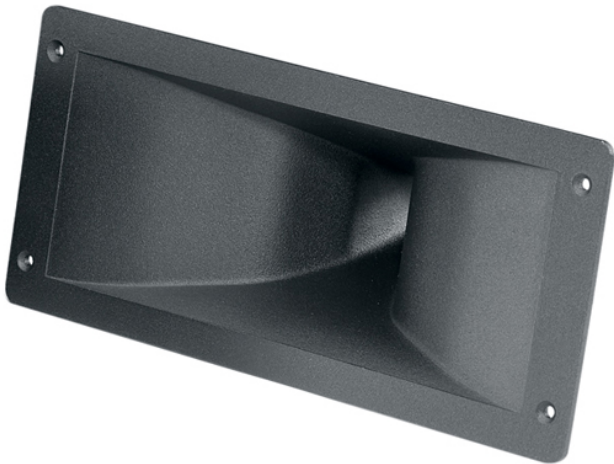
Horn mounted on B&C DE 750 compression driver.

Throat Diameter	<b>25 mm (1 in)</b>
Nominal Coverage Horizontal	<b>90°</b>
Nominal Coverage Vertical	<b>40°</b>
Cutoff Frequency	<b>1 kHz</b>
Material	<b>Cast Aluminium</b>
Dimensions	<b>310x140x124 mm (12.2x5.6x4.9 in)</b>

### MOUNTING AND SHIPPING INFO

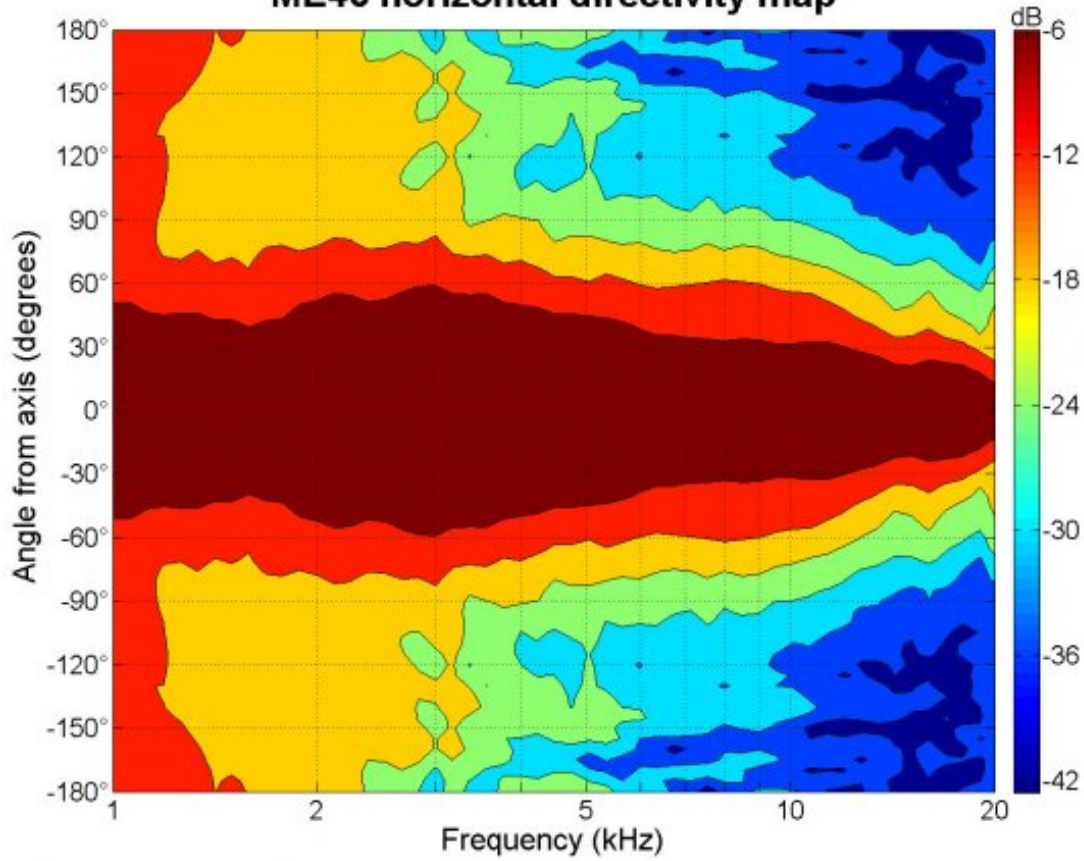
Baffle Cutout Dimension	<b>260 mm (10.2 in)</b>
Air Volume Occupied by Driver	<b>0.26 dm<sup>3</sup> (0.01 ft<sup>3</sup>)</b>
Net Weight	<b>0.86 kg (1.9 lb)</b>
Shipping Units	<b>1 pcs</b>
Shipping Weight	<b>0.96 kg (2.12 lb)</b>
Shipping Box	<b>320x150x125 mm (12.60x5.91x4.92 in)</b>

- 1" throat entry
- 90° x 40° nominal coverage
- Exponential flare
- Excellent loading down to 1 kHz

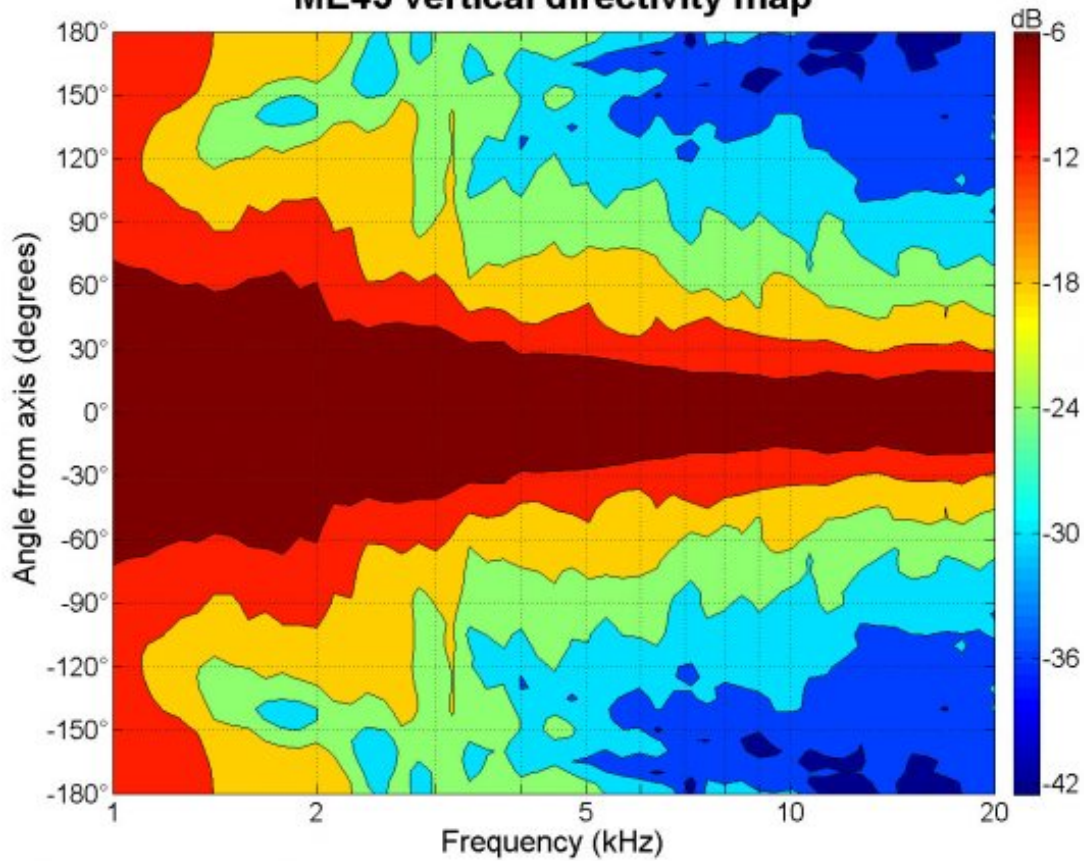


**ME45**

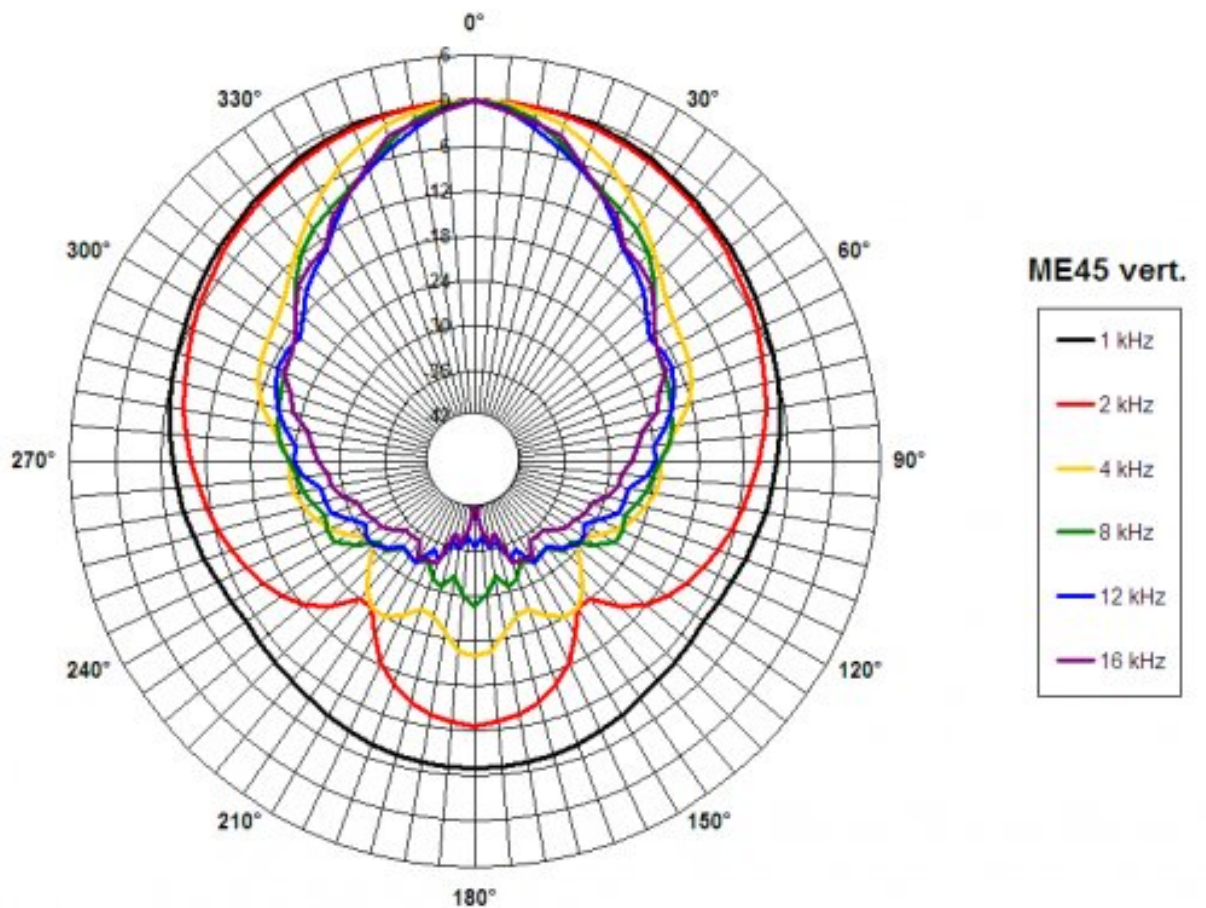
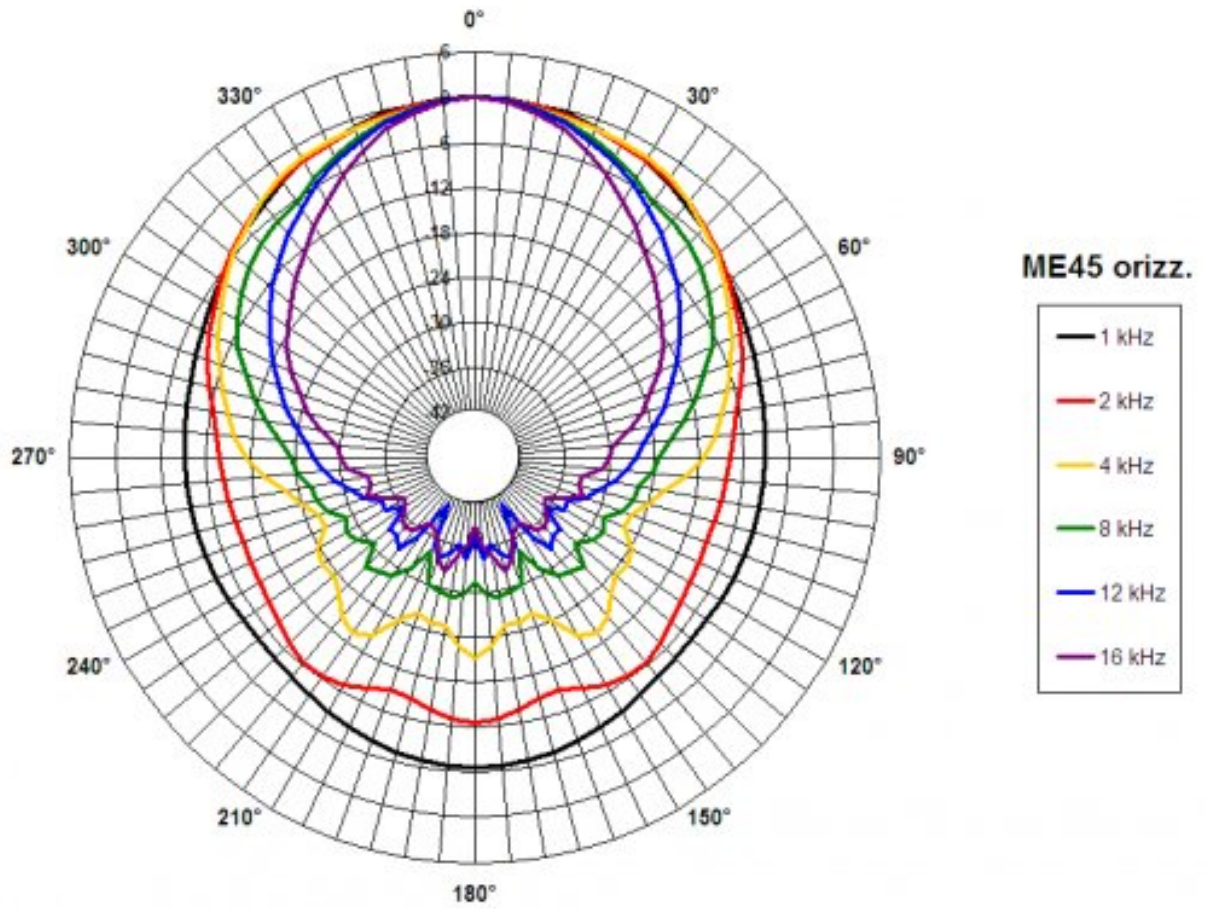
**ME45 horizontal directivity map**



**ME45 vertical directivity map**



**ME45**



**ME45**

