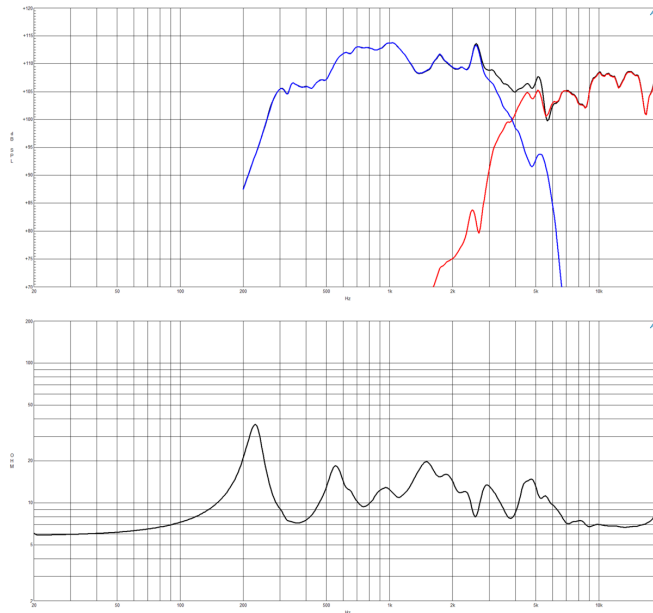
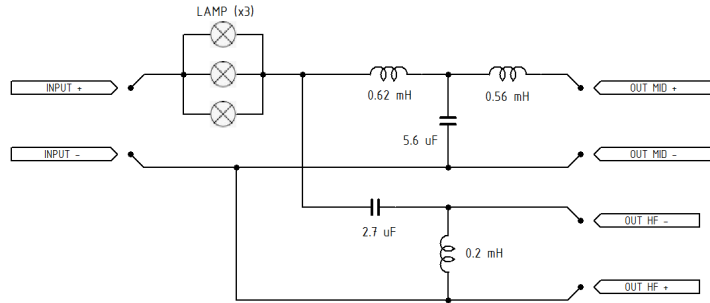
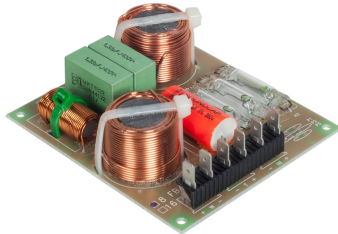


FB4648

8Ω

Crossovers



DESCRIPTION

Completing the most accurate point source solution available, B&C Speakers offers the FB464 passive crossover for our [DCX464](#) coaxial compression driver. Specifically designed for use in conjunction with the [ME464](#), 300Hz horn, users of all types can now have flat high-fidelity response out of the box using 100% OEM components. The FB464 crossover phase aligns the mid and high frequency elements of the DCX464, and implements an asymmetrical slope crossover at 3.6kHz without reducing efficiency. This crossover frequency best balances energy between the two diaphragms for minimum distortion at all output levels. Series protection is additionally provided by industrial filament bulbs which prevent over power or inconsistent tonal balance at very high output.

SPECIFICATIONS

Nominal Impedance	8 Ω
Crossover Frequency	3.6 kHz
Low-pass Slope	18.0 dB/oct
High-pass Slope	12.0 dB/oct
Overall Dimensions	100x110 mm (3.94x4.33 in)

MOUNTING AND SHIPPING INFO

Net Weight	0.37 kg (0.82 lb)
Shipping Units	1
Shipping Box	120x125x35 mm (4.72x4.92x1.38 in)