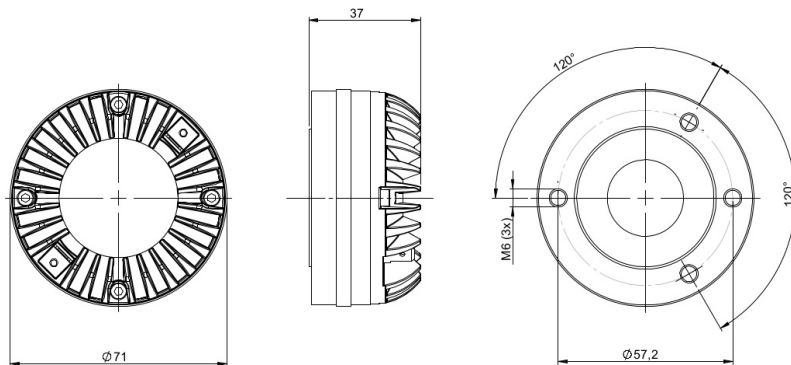


DE360

16Ω

HF Drivers - 1.0 Inches

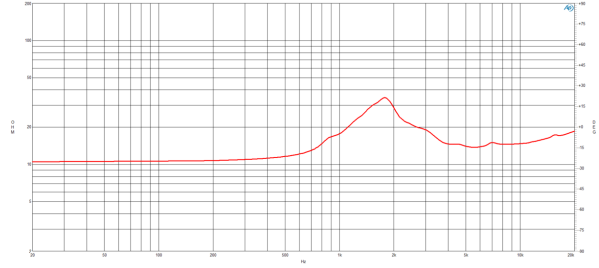
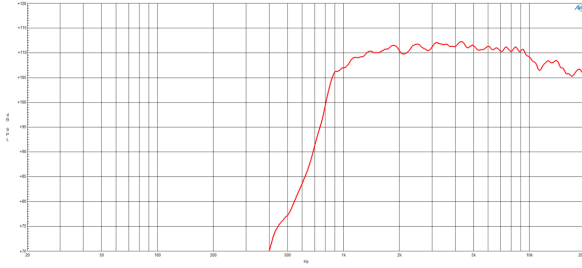


- 70 W continuous program power capacity
- 110 dB sensitivity
- 1200 - 20000 Hz response
- 1" horn throat diameter
- 38 mm (1.5 in) aluminum voice coil
- Annular HT polymer diaphragm

The DE360 ring radiator high frequency driver features a ketone polymer diaphragm with a neodymium magnet motor. Extensive FEA modelling and physical testing over the last several years has culminated in these 1.5 inch (38mm) coil, ring radiator drivers with outstanding sensitivity, high frequency extension, and compactness. A practical recommended crossover point of 1.8kHz and sensitivity of 110dB allow the DE360 to be suitable for a wide range of applications, including compact two way point source boxes and line arrays.

DE360

HF Drivers- 1.0 Inches



SPECIFICATIONS¹

Throat Diameter	25 mm (1.0 in)
Nominal Impedance	16 Ω
Minimum Impedance	13.8 Ω
Nominal Power Handling ²	35 W
Continuous Power Handling ³	70 W
Sensitivity ⁴	110.0 dB
Frequency Range	1.2 - 20.0 kHz
Recommended Crossover ⁵	1.8 kHz
Voice Coil Diameter	38 mm (1.5 in)
Winding Material	Aluminium
Inductance	0.05 mH
Diaphragm Material	HT Polymer
Flux Density	2.0 T
Magnet Material	Neodymium Ring

MOUNTING AND SHIPPING INFO

Two M6 holes 180° on 57 mm (2.2 in) diameter	
Three M6 holes 120° on 57 mm (2.2 in) diameter	
Overall Diameter	71 mm (2.8 in)
Depth	37 mm (1.46 in)
Net Weight	0.5 kg (1.1 lb)
Shipping Units	8
Shipping Weight	4.85 kg (10.69 lb)
Shipping Box	235x235x165 mm (9.25x9.25x6.50 in)
Other Details	3x M6 Mounting Studs with bolts and washers included

SERVICE KIT

Replacement diaphragm	MMD03616
-----------------------	----------

1. Driver mounted on B&C ME 45 horn.
2. 2 hour test made with continuous pink noise signal within the range from the recommended crossover frequency to 20 kHz. Power calculated on rated minimum impedance.
3. Power on Continuous Program is defined as 3 dB greater than the Nominal rating.
4. Applied RMS Voltage is set to 4 V for 16 ohms Nominal Impedance.
5. 12 dB/oct. or higher slope high-pass filter.