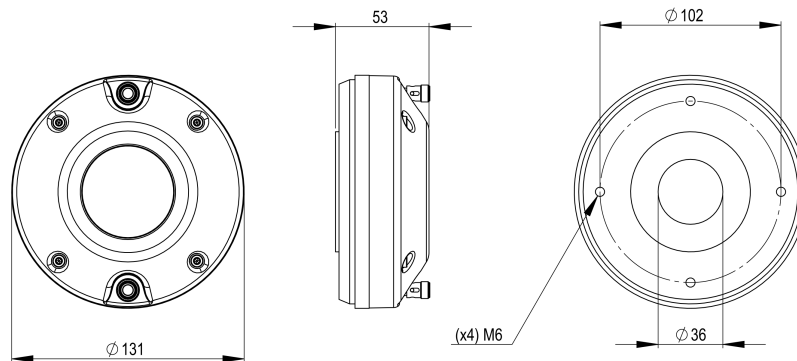


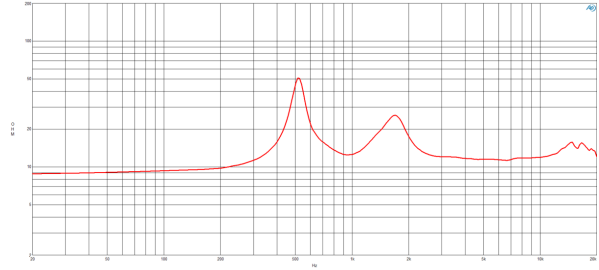
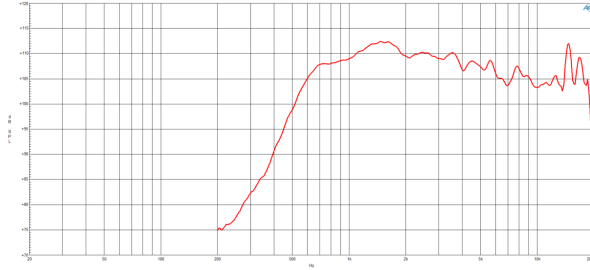
DE914TN

16Ω**HF Drivers - 1.4 Inches**

- 220 W continuous program power capacity
- 1.4" horn throat diameter
- 75 mm (3 in) aluminium voice coil
- Titanium diaphragm
- 500 - 18000 Hz response
- 108.5 dB sensitivity
- Neodymium magnet assembly with shorting copper cap

DE914TN

HF Drivers- 1.4 Inches



SPECIFICATIONS¹

Throat Diameter	36 mm (1.4 in)
Nominal Impedance	16 Ω
Minimum Impedance	11.3 Ω
Nominal Power Handling ²	110 W
Continuous Power Handling ³	220 W
Sensitivity ⁴	108.5 dB
Frequency Range	0.5 - 18.0 kHz
Recommended Crossover ⁵	1.2 kHz
Voice Coil Diameter	75 mm (3.0 in)
Winding Material	Aluminium
Inductance	0.12 mH
Diaphragm Material	Titanium
Flux Density	2.05 T
Magnet Material	Neodymium Ring

MOUNTING AND SHIPPING INFO

Four M6 holes 90° on 102 mm (4 in) diameter	
Overall Diameter	131 mm (5.2 in)
Depth	53 mm (2.09 in)
Net Weight	2.4 kg (5.29 lb)
Shipping Units	4
Shipping Weight	10.2 kg (22.49 lb)
Shipping Box	295x160x180 mm (11.61x6.30x7.09 in)
Other Details	4x M6 Mounting Studs with bolts and washers included

SERVICE KIT

Replacement diaphragm	MMD3BTN16M
-----------------------	------------

1. Driver mounted on B&C ME90 horn.
2. 2 hour test made with continuous pink noise signal within the range from the recommended crossover frequency to 20 kHz. Power calculated on rated minimum impedance.
3. Power on Continuous Program is defined as 3 dB greater than the Nominal rating.
4. Applied RMS Voltage is set to 4V for 16 ohms Nominal Impedance.
5. 12 dB/oct. or higher slope high-pass filter.