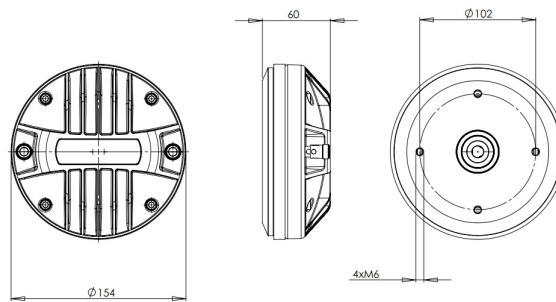


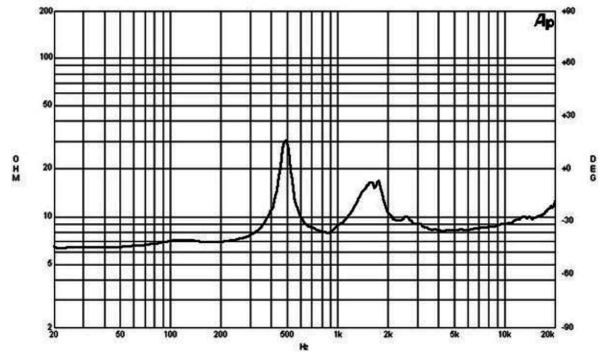
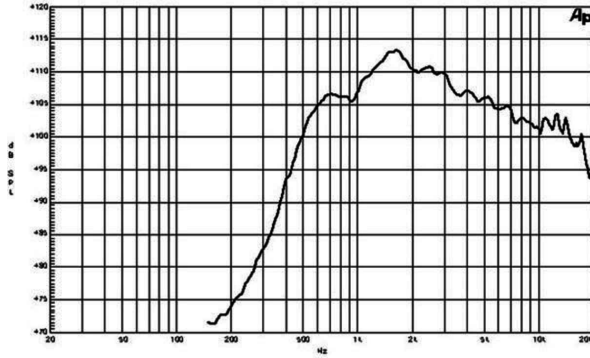
DE1000

8Ω**HF Drivers - 1.5 Inches**

- 280 W continuous program power capacity
- 1.5" horn throat diameter
- 100 mm (4 in) aluminium voice coil
- Titanium diaphragm
- 500 - 20000 Hz response
- 109 dB sensitivity
- Neodymium magnet assembly with shorting copper cap

DE1000

HF Drivers- 1.5 Inches



SPECIFICATIONS¹

Throat Diameter	38 mm (1.5 in)
Nominal Impedance	8 Ω
Minimum Impedance	8.1 Ω
Nominal Power Handling ²	140 W
Continuous power handling ³	280 W
Sensitivity (1W/1m) ⁴	109.0 dB
Frequency Range	1.0 - 20.0 kHz
Recommended Crossover ⁵	1.0 kHz
Voice Coil Diameter	100 mm (4.0 in)
Winding Material	Aluminium
Inductance	0.18 mH
Diaphragm Material	Titanium
Flux Density	1.95 T
Magnet Material	Neodymium Ring

MOUNTING AND SHIPPING INFO

Four M6 holes 90° on 102 mm (4 in) diameter	
Overall Diameter	154 mm (6.1 in)
Depth	60 mm (2.4 in)
Net Weight	3.4 kg (7.5 lb)
Shipping Units	1
Shipping Weight	3.58 kg (7.89 lb)
Shipping Box	190x190x100 mm (7.48x7.48x3.94 in)
Other Details	4x M6 Mounting Studs with bolts and washers included

1. Driver mounted on B&C ME 90 horn.
2. 2 hour test made with continuous pink noise signal within the range from the recommended crossover frequency to 20 kHz. Power calculated on rated minimum impedance.
3. Power on Continuous Program is defined as 3 dB greater than the Nominal rating.
4. Applied RMS Voltage is set to 2.83 V for 8 ohms Nominal Impedance.
5. 12 dB/oct. or higher slope high-pass filter.