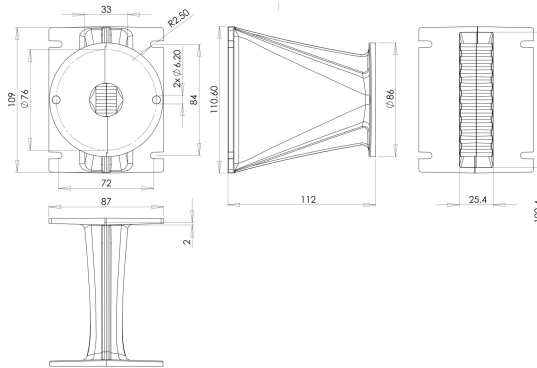
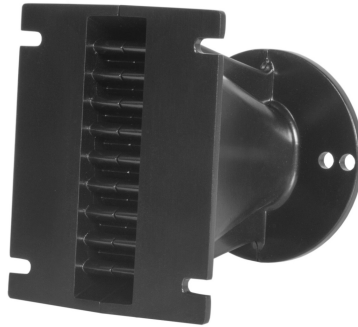
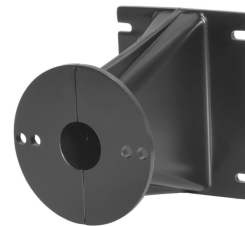


ME102

0Ω

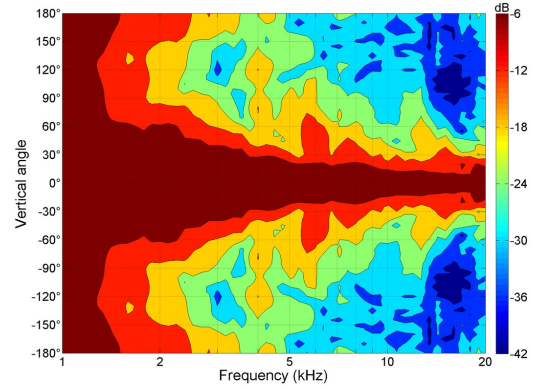
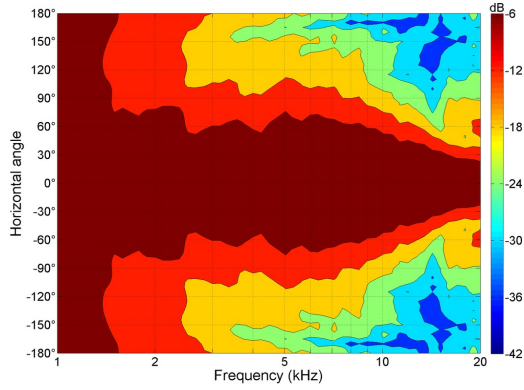
Horns - 1.0 Inches

- 1" throat entry
- Line Array optimized Waveguide
- 140° max horizontal coverage
- Vertical coverage depends on configuration
- Very good loading down to 1 kHz



ME102

Horns- 1.0 Inches



SPECIFICATIONS¹

Throat Diameter	25 mm (1.0 in)
Nominal Coverage Horizontal	140 °
Cutoff Frequency	1.0 kHz
Material	Cast Aluminium
Design	Line Array Optimized Waveguide
Dimensions	109x87x112 mm (4.29x3.43x4.41 in)

MOUNTING AND SHIPPING INFO

Baffle Cutout Dimension	102.4x25.4 mm (4.03x1.00 in)
Air Volume Occupied by Horn	0.15 dm ³ (0.01 ft ³)
Net Weight	0.44 kg (0.97 lb)
Shipping Units	20
Shipping Weight	12.1 kg (26.68 lb)
Shipping Box	540x350x390 mm (21.26x13.78x15.35 in)
Other Details	Two 6 mm (0.25 in) holes at 180° on 76 mm (3 in) diameter

1. Waveguide mounted on B&C DE400TN compression driver