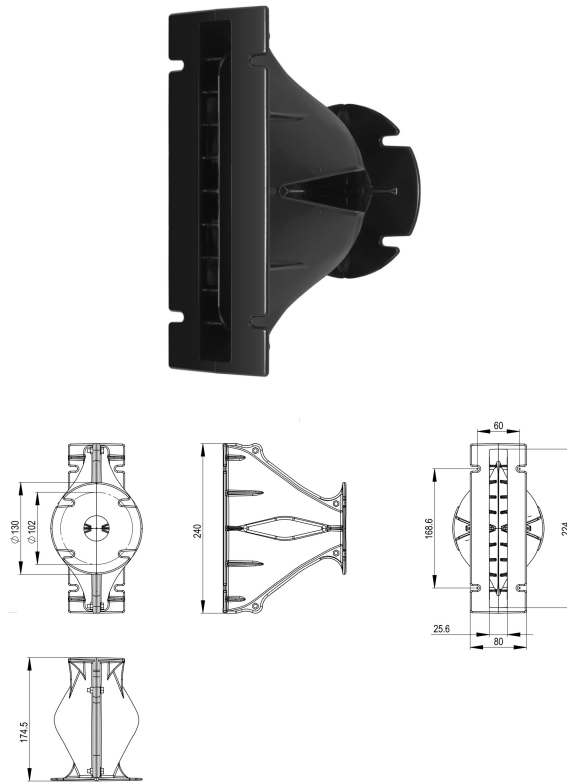
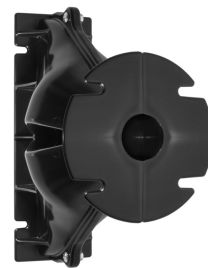


ME148

0Ω

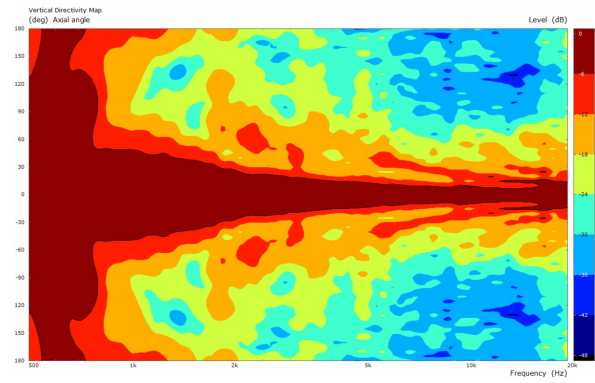
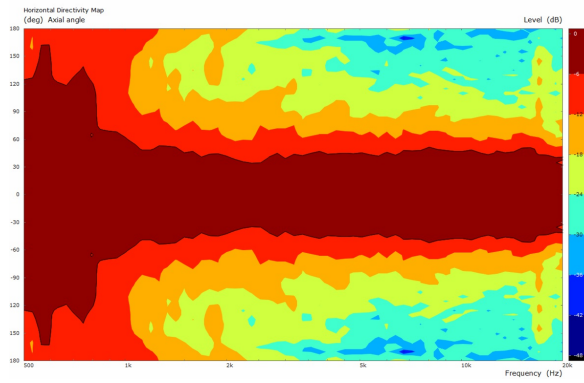
Horns - 1.4 Inches

- 1.4" throat entry
- Line Array optimized Waveguide
- 120° max horizontal coverage
- Vertical coverage depends on configuration
- Very good loading down to 500 Hz
- Designed specifically for the extra octaves present in our coaxial compression driver



ME148

Horns- 1.4 Inches



SPECIFICATIONS¹

Throat Diameter	36 mm (1.4 in)
Nominal Coverage Horizontal	120 °
Cutoff Frequency	0.5 kHz
Material	Polycarbonate
Design	Line Array Optimized Waveguide
Dimensions	240x80x174.5 mm (9.45x3.15x6.87 in)

MOUNTING AND SHIPPING INFO

Baffle Cutout Dimension	224x25.4 mm (8.82x1.00 in)
Net Weight	0.78 kg (1.72 lb)
Shipping Units	1

1. Horn mounted on B&C DCX464 compression driver with B&C FB4648 passive crossover network