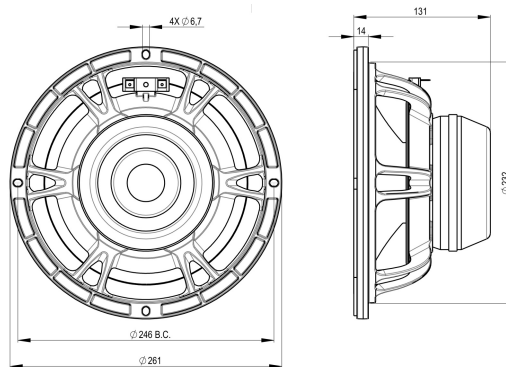


10BG76

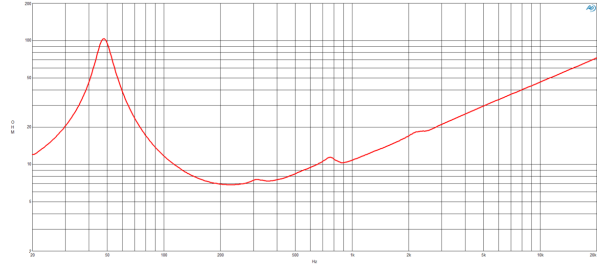
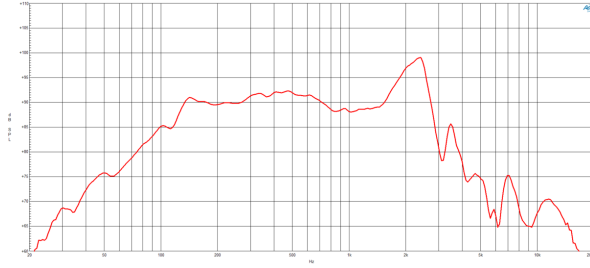
8Ω**LF Drivers - 10.0 Inches**

- 1000 W continuous program power capacity
- 76 mm (3 in) copper voice coil
- 49 - 800 Hz response
- 91.3 dB sensitivity
- Neodymium magnet allows a very light yet powerful motor assembly
- Aluminium demodulating ring for very low distortion
- Double silicone spider with optimized compliance



10BG76

LF Drivers- 10.0 Inches



SPECIFICATIONS

Nominal Diameter	250 mm (10.0 in)
Nominal Impedance	8 Ω
Minimum Impedance	6.8 Ω
Nominal Power Handling ¹	500 W
Continuous power handling ²	1000 W
Sensitivity (1W/1m) ³	91.3 dB
Frequency Range	49 - 800 Hz
Voice Coil Diameter	76 mm (3.0 in)
Winding Material	Copper
Former Material	Glass Fibre
Winding Depth	25.0 mm (1.0 in)
Magnetic Gap Depth	11.5 mm (0.45 in)
Flux Density	1.22 T

DESIGN

Surround Shape	Roll
Cone Shape	Curvilinear
Magnet Material	Neodymium Ring
Spider	Double Silicone
Pole Design	T-Pole
Woofer Cone Treatment	TWP Waterproof Both Sides

PARAMETERS⁴

Resonance Frequency	49 Hz
Re	4.1 Ω
Qes	0.23
Qms	5.74
Qts	0.22
Vas	16.7 dm ³ (0.59 ft ³)
Sd	320.0 cm ² (49.6 in ²)
η _o	0.86 %
Xmax	± 9.6 mm
Xvar	± 12.0 mm
Mms	91.4 g
Bl	22.4 Txm
Le	1.37 mH
EBP	213 Hz

MOUNTING AND SHIPPING INFO

Overall Diameter	261 mm (10.28 in)
Bolt Circle Diameter	246 mm (9.69 in)
Baffle Cutout Diameter	233.0 mm (9.17 in)
Depth	131 mm (5.16 in)
Flange and Gasket Thickness	14 mm (0.55 in)
Air Volume Occupied by Driver	1.5 dm ³ (0.05 ft ³)
Net Weight	4.8 kg (10.58 lb)

1. 2 hours test made with continuous pink noise signal within the range Fs-10Fs. Power calculated on rated minimum impedance. Loudspeaker in free air.
2. Power on Continuous Program is defined as 3 dB greater than the Nominal rating.
3. Applied RMS Voltage is set to 2.83 V for 8 ohms Nominal Impedance.
4. Thiele-Small parameters are measured after a high level 20 Hz sine wave preconditioning test.