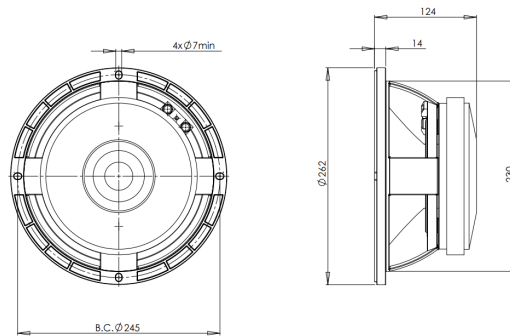


10MD26

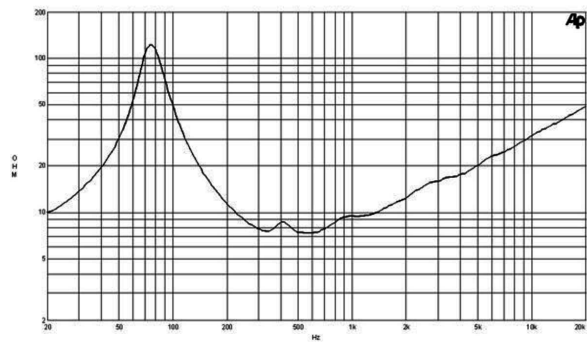
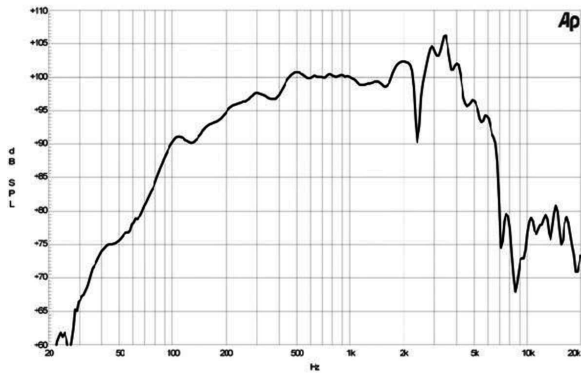
8Ω**LF Drivers - 10.0 Inches**

- 700 W continuous program power capacity
- 76 mm (3 in) aluminium voice coil
- 80 - 4000 Hz response
- 100 dB sensitivity



10MD26

LF Drivers- 10.0 Inches



SPECIFICATIONS

Nominal Diameter	250 mm (10.0 in)
Nominal Impedance	8 Ω
Minimum Impedance	7.2 Ω
Nominal Power Handling ¹	350 W
Continuous Power Handling ²	700 W
Sensitivity ³	100.0 dB
Frequency Range	80 - 4000 Hz
Voice Coil Diameter	76 mm (3.0 in)
Winding Material	Aluminium
Former Material	Glass Fibre
Winding Depth	11.0 mm (0.43 in)
Magnetic Gap Depth	8.0 mm (0.31 in)
Flux Density	1.45 T

DESIGN

Surround Shape	Double Roll
Cone Shape	Exponential
Magnet Material	Ferrite
Spider	Single
Pole Design	T-Pole
Woofer Cone Treatment	None

PARAMETERS⁴

Resonance Frequency	76 Hz
Re	5.8 Ω
Qes	0.22
Qms	4.8
Qts	0.21
Vas	20.0 dm ³ (0.71 ft ³)
Sd	320.0 cm ² (49.1 in ²)
η _o	3.9 %
Xmax	± 1.5 mm
Xvar	± 4.5 mm
Mms	31.0 g
Bl	19.6 Txm
Le	1.2 mH
EBP	345 Hz

MOUNTING AND SHIPPING INFO

Overall Diameter	262 mm (10.3 in)
Bolt Circle Diameter	245 mm (9.6 in)
Baffle Cutout Diameter	230.0 mm (8.8 in)
Depth	124 mm (4.9 in)
Flange and Gasket Thickness	14 mm (0.55 in)
Air Volume Occupied by Driver	2.6 dm ³ (0.09 ft ³)
Net Weight	7.3 kg (16.1 lb)
Shipping Units	1
Shipping Weight	7.9 kg (17.4 lb)
Shipping Box	295x314x175 mm (11.61x12.36x6.89 in)

SERVICE KIT

Recone kit	RCK010MD268
------------	-------------

- 2 hours test made with continuous pink noise signal within the range Fs-10Fs. Power calculated on rated minimum impedance. Loudspeaker in free air.
- Power on Continuous Program is defined as 3 dB greater than the Nominal rating.
- Applied RMS Voltage is set to 2.83 V for 8 ohms Nominal Impedance.
- Thiele-Small parameters are measured after a high level 20 Hz sine wave preconditioning test.

B&C Speakers s.p.a.

Via Poggiomoro, 1 - Loc. Vallina, 50012 Bagno a Ripoli (FI) - ITALY - Tel. +39 055 65721 - Fax +39 055 6572312 - mail@bcspeakers.com