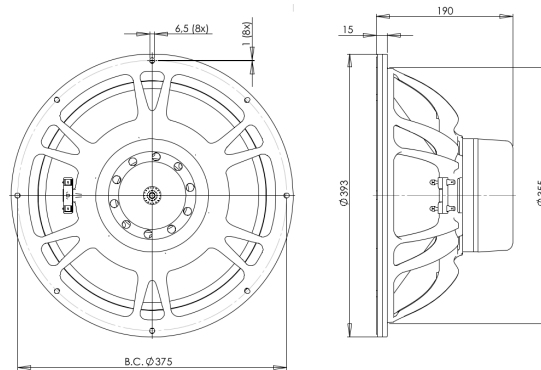


15DS100

4Ω**LF Drivers - 15.0 Inches**

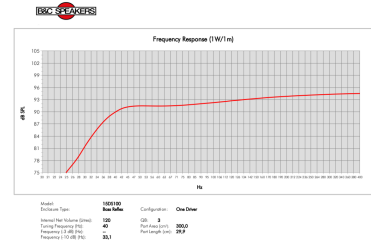
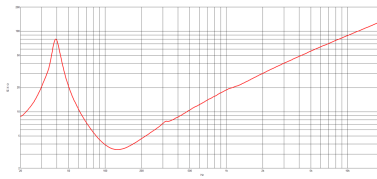
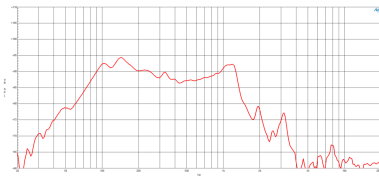
- 3000 W continuous program power capacity
- 100 mm (4 in) four layer aluminium voice coil
- 39 - 1000 Hz response
- 96.8 dB sensitivity
- Double silicone spider with optimized compliance
- Ventilated voice coil gap for reduced power compression
- Aluminium demodulating ring for very low distortion



This next evolution subwoofer uses a new, longer, four layer aluminum voice coil. The result is less heat, more energy in the gap, higher sensitivity, higher power handling, lower distortion and better overall performance. The 15DS100 features a 37mm long, 4 inch diameter (100mm) Copper Clad Aluminum Wire voice coil. With a 1500watt AES power rating, 96.8 dB sensitivity, and over 14.0mm of Xvar, this high energy subwoofer is a significant step forward from similar models in the B&C range.

15DS100

LF Drivers- 15.0 Inches



SPECIFICATIONS

| | |
|--|-------------------|
| Nominal Diameter | 380 mm (15.0 in) |
| Nominal Impedance | 4 Ω |
| Minimum Impedance | 3.4 Ω |
| Nominal Power Handling ¹ | 1500 W |
| Continuous power handling ² | 3000 W |
| Sensitivity (1W/1m) ³ | 96.8 dB |
| Frequency Range | 39 - 1000 Hz |
| Voice Coil Diameter | 100 mm (4.0 in) |
| Winding Material | Aluminium |
| Former Material | Glass Fibre |
| Winding Depth | 34.0 mm (1.34 in) |
| Magnetic Gap Depth | 16.0 mm (0.63 in) |
| Flux Density | 0.7 T |

MOUNTING AND SHIPPING INFO

| | |
|-------------------------------|---|
| Overall Diameter | 393 mm (15.47 in) |
| Bolt Circle Diameter | 374 mm (16.7 in) |
| Baffle Cutout Diameter | 353.0 mm (13.9 in) |
| Depth | 190 mm (7.5 in) |
| Flange and Gasket Thickness | 16 mm (0.63 in) |
| Air Volume Occupied by Driver | 6.0 dm ³ (0.21 ft ³) |
| Net Weight | 9.6 kg (21.16 lb) |
| Shipping Units | 1 |
| Shipping Weight | 10.9 kg (24.03 lb) |
| Shipping Box | 425x425x224 mm (16.73x16.73x8.82 in) |

DESIGN

| | |
|-----------------------|---|
| Surround Shape | Triple Roll |
| Cone Shape | Radial |
| Magnet Material | Neodymium Inside Slug |
| Spider | Double Silicone |
| Pole Design | T-Pole |
| Woofer Cone Treatment | TWP Waterproof Both Sides |
| Recommended Enclosure | 120.0 dm ³ (4.24 ft ³) |
| Recommended Tuning | 40 Hz |

SERVICE KIT

| | |
|------------|-------------|
| Recone kit | RCK15DS1004 |
|------------|-------------|

PARAMETERS⁴

| | |
|---------------------|---|
| Resonance Frequency | 39 Hz |
| Re | 2.4 Ω |
| Qes | 0.23 |
| Qms | 8.16 |
| Qts | 0.23 |
| Vas | 73.0 dm ³ (2.58 ft ³) |
| Sd | 855.0 cm ² (132.53 in ²) |
| η_0 | 1.8 % |
| Xmax | \pm 13.0 mm |
| Xvar | \pm 14.0 mm |
| Mms | 233.0 g |
| Bl | 24.3 Txm |
| Le | 2.8 mH |
| EBP | 169 Hz |

1. 2 hours test made with continuous pink noise signal within the range Fs-10Fs. Power calculated on rated minimum impedance. Loudspeaker in free air.
2. Power on Continuous Program is defined as 3 dB greater than the Nominal rating.
3. Applied RMS Voltage is set to 2 V for 4 ohms Nominal Impedance.
4. Thiele-Small parameters are measured after a high level 20 Hz sine wave preconditioning test.