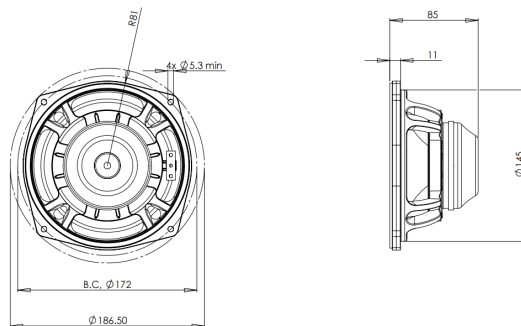


# 6NDL38

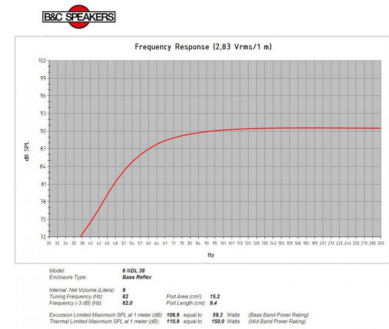
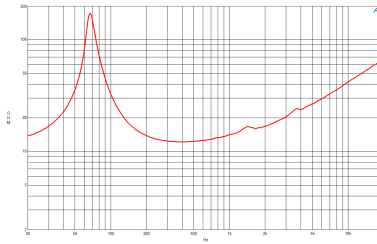
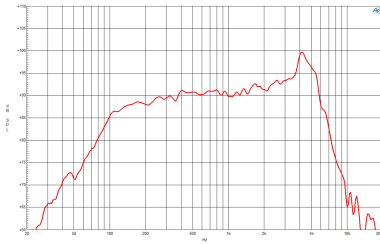
**16Ω****LF Drivers - 6.5 Inches**

- 38 mm (1.5 in) copper voice coil
- 70 - 6000 Hz response
- 93 dB sensitivity
- Neodymium magnet allows a very light yet powerful motor assembly
- Aluminium demodulating ring allows a very low distortion figure
- 300 W continuous program power capacity



# 6NDL38

LF Drivers- 6.5 Inches



## SPECIFICATIONS

Nominal Diameter	170 mm (6.5 in)
Nominal Impedance	16 Ω
Minimum Impedance	12.4 Ω
Nominal Power Handling <sup>1</sup>	150 W
Continuous power handling <sup>2</sup>	300 W
Sensitivity (1W/1m) <sup>3</sup>	93.0 dB
Frequency Range	70 - 6000 Hz
Voice Coil Diameter	38 mm (1.5 in)
Winding Material	Copper
Former Material	Kapton
Winding Depth	12.0 mm (0.5 in)
Magnetic Gap Depth	6.0 mm (0.25 in)
Flux Density	1.15 T

## MOUNTING AND SHIPPING INFO

Overall Diameter	187 mm (7.4 in)
Bolt Circle Diameter	172 mm (6.7 in)
Baffle Cutout Diameter	145.0 mm (5.7 in)
Depth	85 mm (3.3 in)
Flange and Gasket Thickness	11 mm (0.4 in)
Air Volume Occupied by Driver	0.63 dm <sup>3</sup> (0.02 ft <sup>3</sup> )
Net Weight	1.2 kg (2.6 lb)
Shipping Units	1
Shipping Weight	1.4 kg (3.09 lb)
Shipping Box	210x210x125 mm (8.27x8.27x4.92 in)

## DESIGN

Surround Shape	Roll
Cone Shape	Exponential
Magnet Material	Neodymium Ring
Spider	Single
Pole Design	T-Pole
Woofer Cone Treatment	WP Waterproof Front Side
Recommended Enclosure	9.0 dm <sup>3</sup> (0.32 ft <sup>3</sup> )
Recommended Tuning	62 Hz

## SERVICE KIT

Recone kit	RCK06NDL3816
------------	--------------

## PARAMETERS<sup>4</sup>

Resonance Frequency	70 Hz
Re	11.3 Ω
Qes	0.53
Qms	10.29
Qts	0.5
Vas	8.9 dm <sup>3</sup> (0.31 ft <sup>3</sup> )
Sd	132.0 cm <sup>2</sup> (20.5 in <sup>2</sup> )
η <sub>o</sub>	0.53 %
Xmax	± 6.0 mm
Xvar	± 5.5 mm
Mms	15.0 g
Bl	11.7 Txm
Le	1.0 mH
EBP	132 Hz

1. 2 hours test made with continuous pink noise signal within the range Fs-10Fs. Power calculated on rated minimum impedance. Loudspeaker in free air.
2. Power on Continuous Program is defined as 3 dB greater than the Nominal rating.
3. Applied RMS Voltage is set to 4V for 16 ohm Nominal Impedance
4. Thiele-Small parameters are measured after a high level 20 Hz sine wave preconditioning test.