



F2152A

Full Range Enclosure

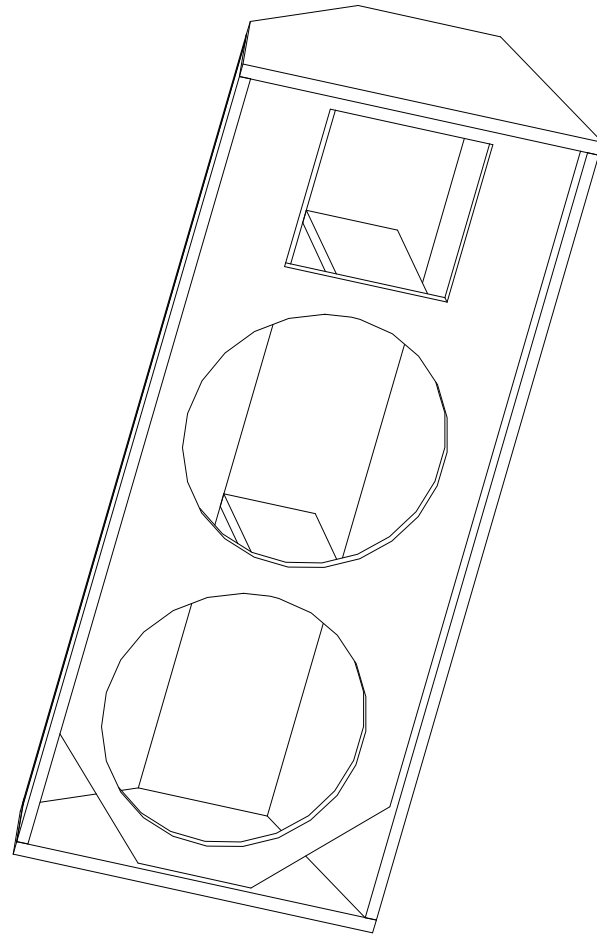
B&C Component Options

2x 15" Woofer – 15PLB76 8 ohm

1.4" High Frequency Driver – DE82TN 8 ohm

80°x60° 1.4" Horn – ME90

www.bcspeakers.com



F2152A

Material 18mm Birch Plywood

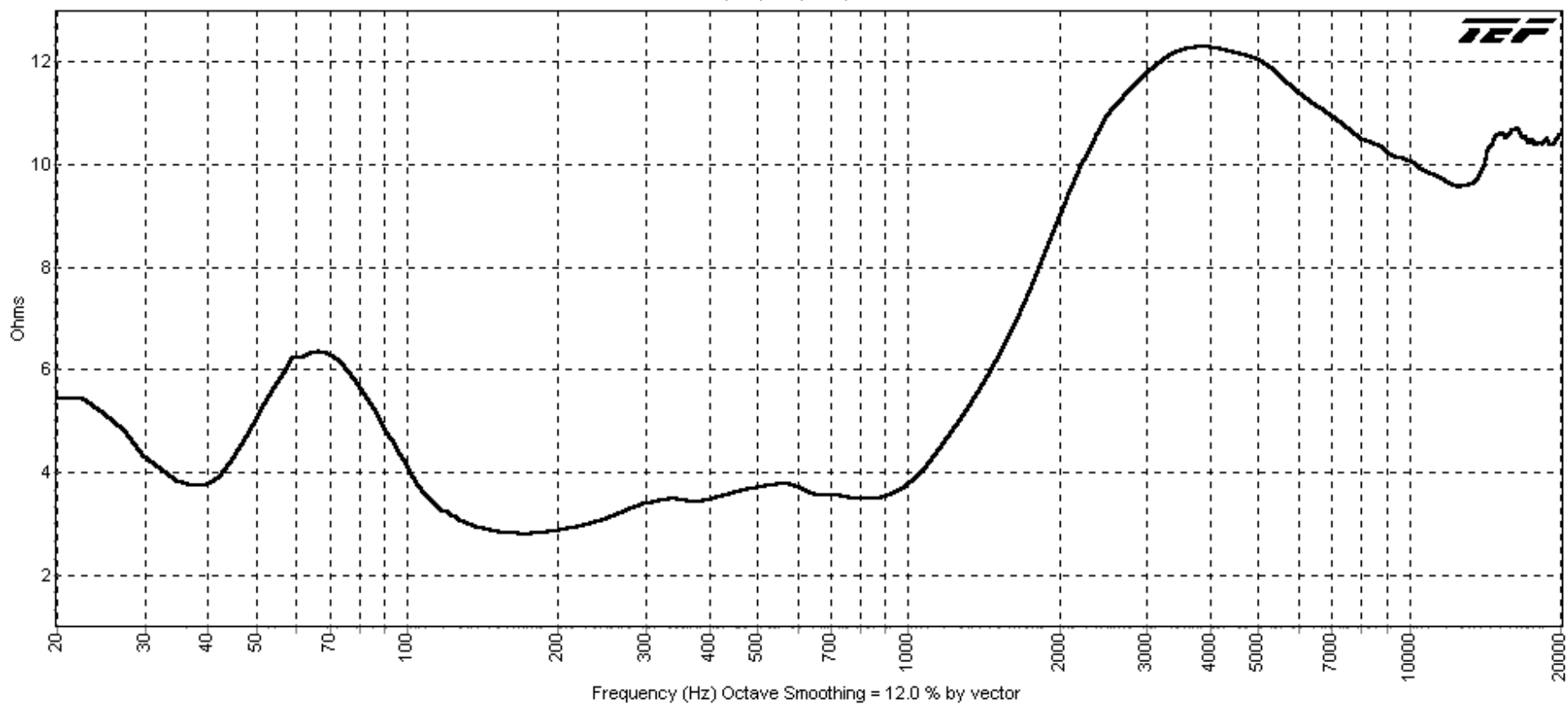
F2152A ALL.....+NET AUG24.tds

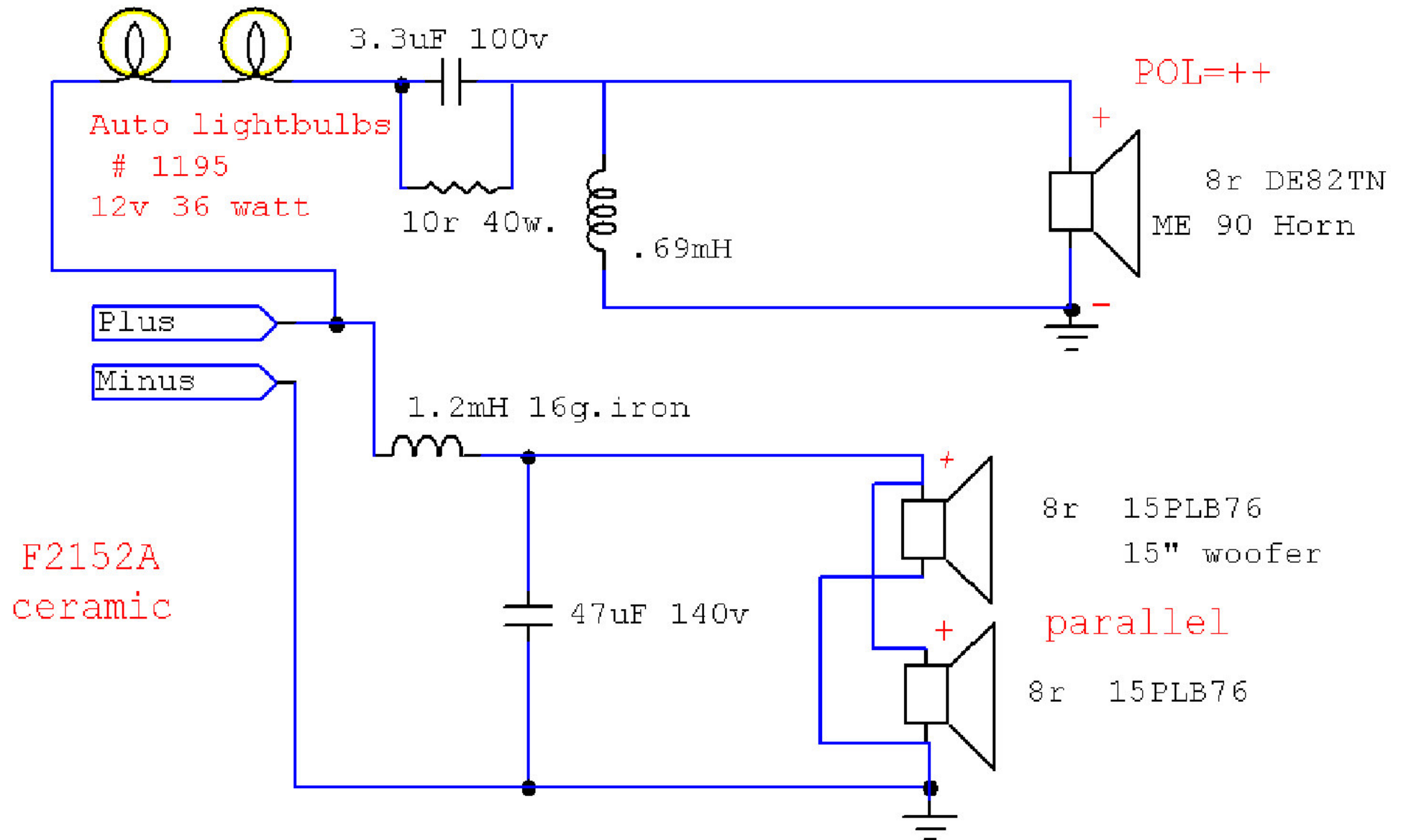
8192 Samples in 99.0 s, Frequency Res = 14.2 Hz, Time Res = 70.39 ms (79.54 feet)



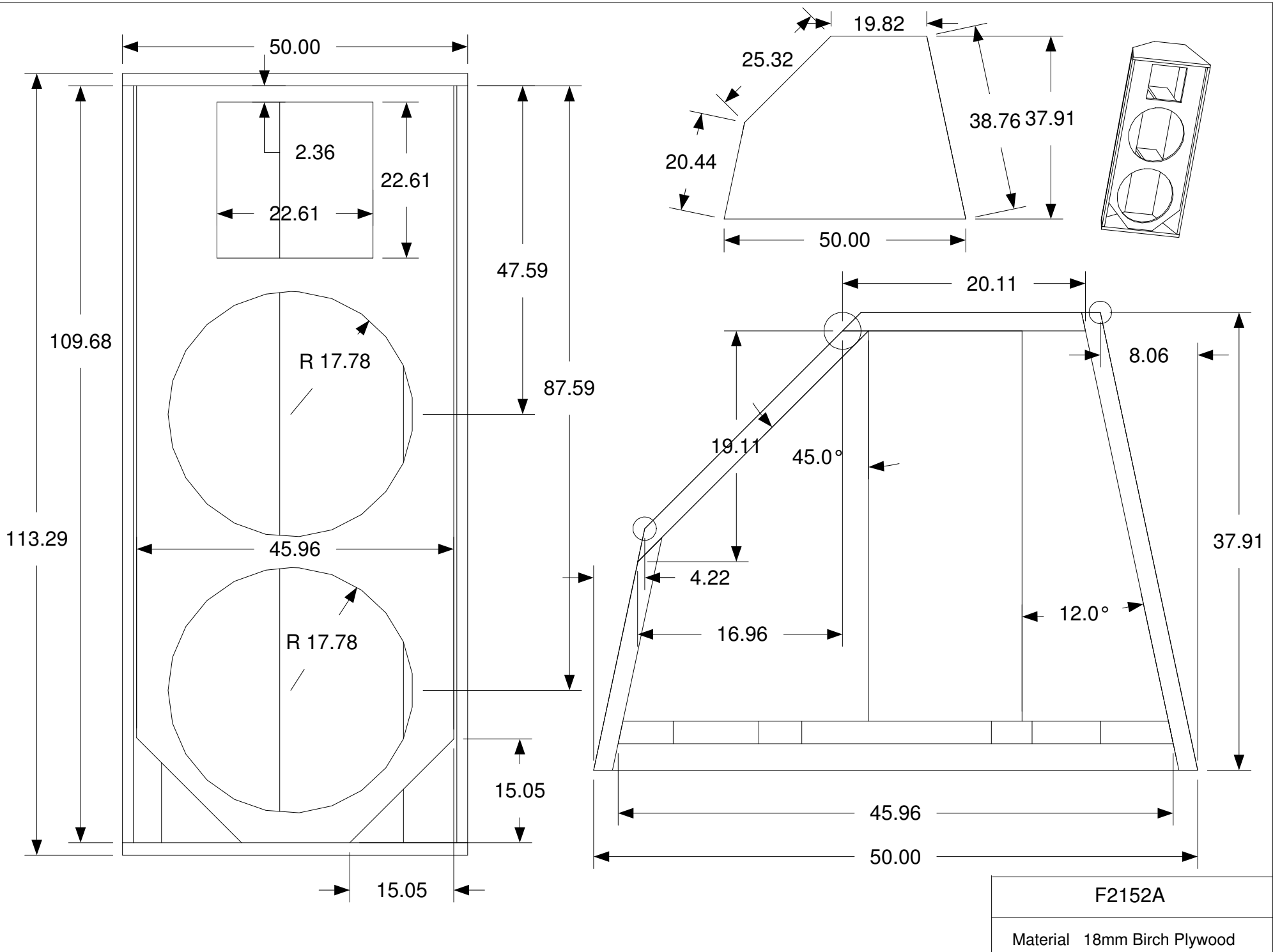
Z.....F2152A ALL.....+NET AUG24

8192 Samples, Frequency Res = 26.2 Hz





F2152A
ceramic



F2152A
Material 18mm Birch Plywood