



F152AN

Full Range Enclosure

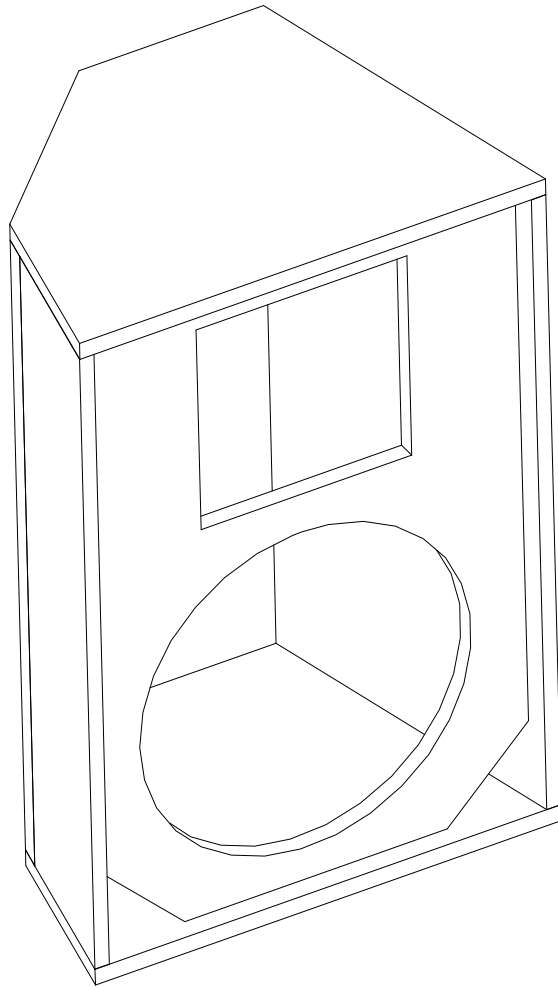
B&C Component Options

15" Neodymium Woofer – 15NW76 8 ohm

1.4" High Frequency Driver – DE820TN 8 ohm

80°x60° 1.4" Horn – ME90

www.bcspeakers.com



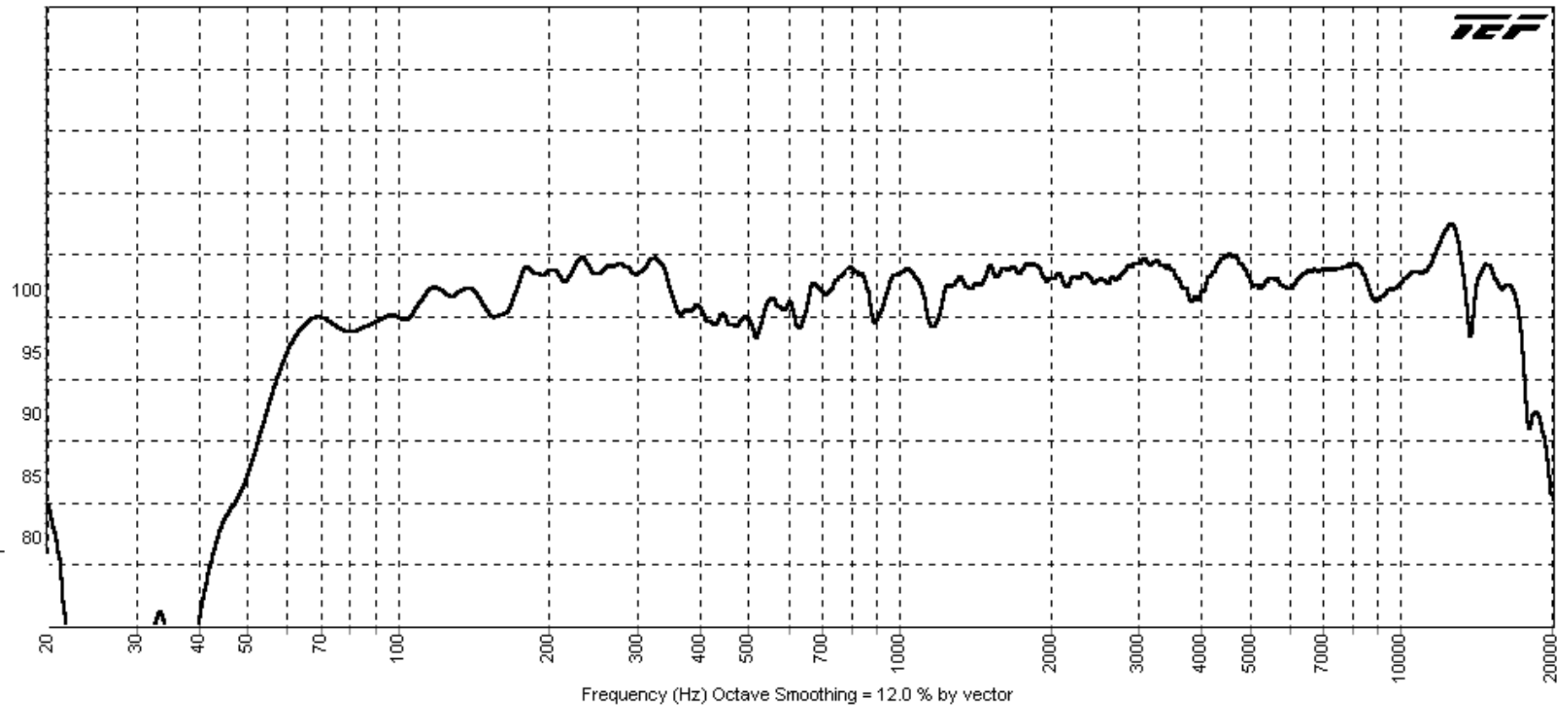
F152AN

Material 18mm Birch Plywood

F152AN

— untitled29.tds — spl 800 20k f152an z00m.tds

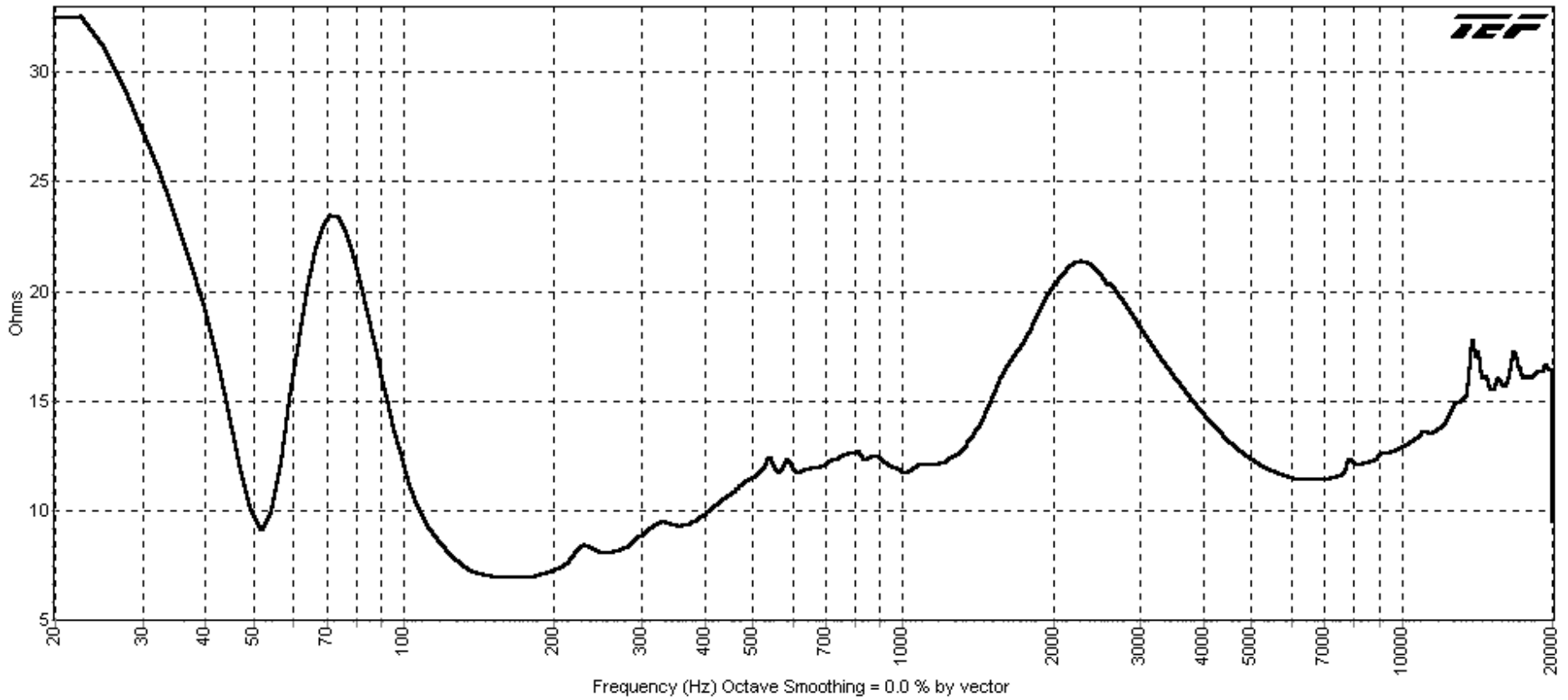
8192 Samples in 54.6 s, Frequency Res = 3.8 Hz, Time Res = 264.61 ms (299.01 feet)

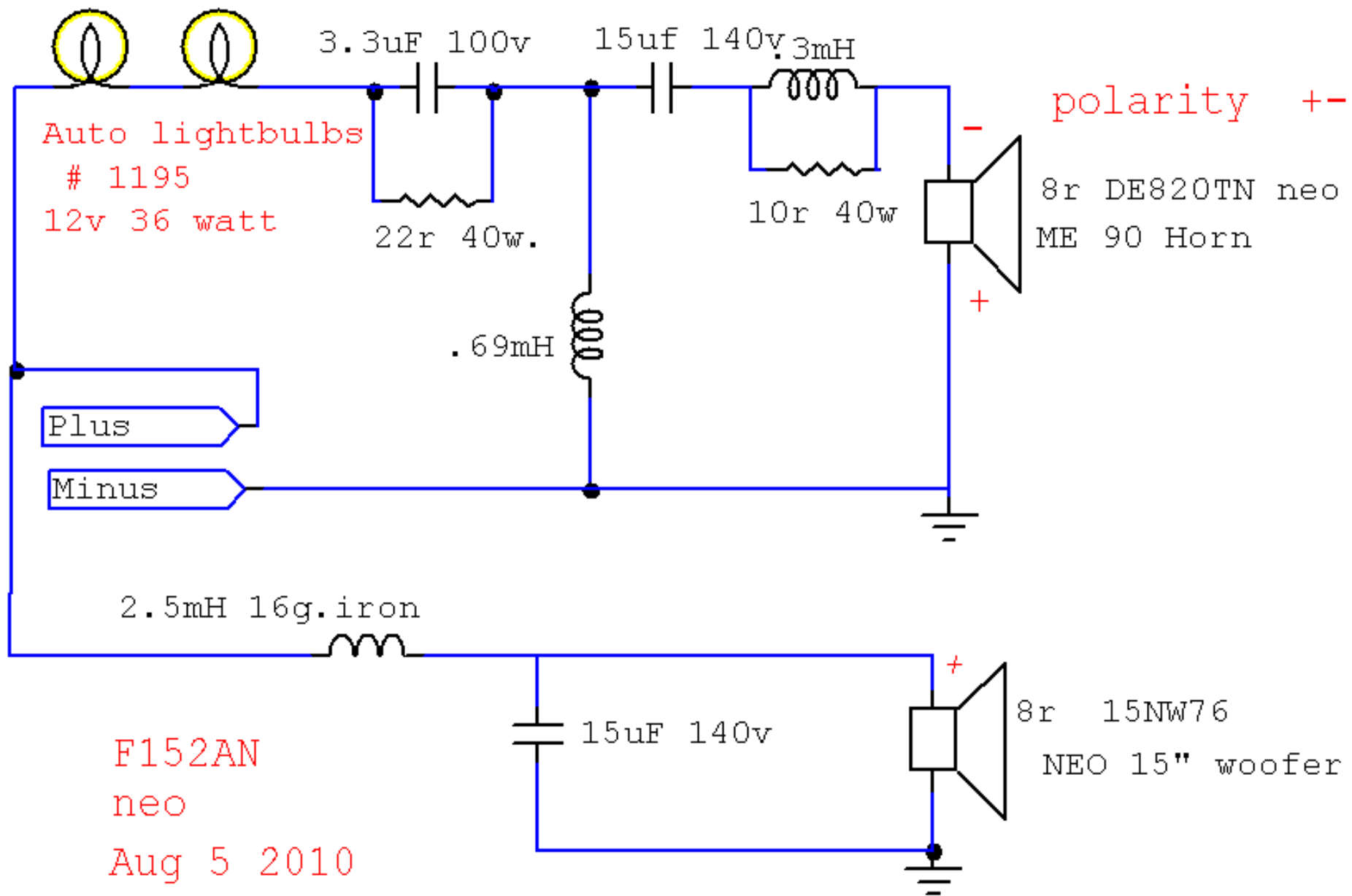


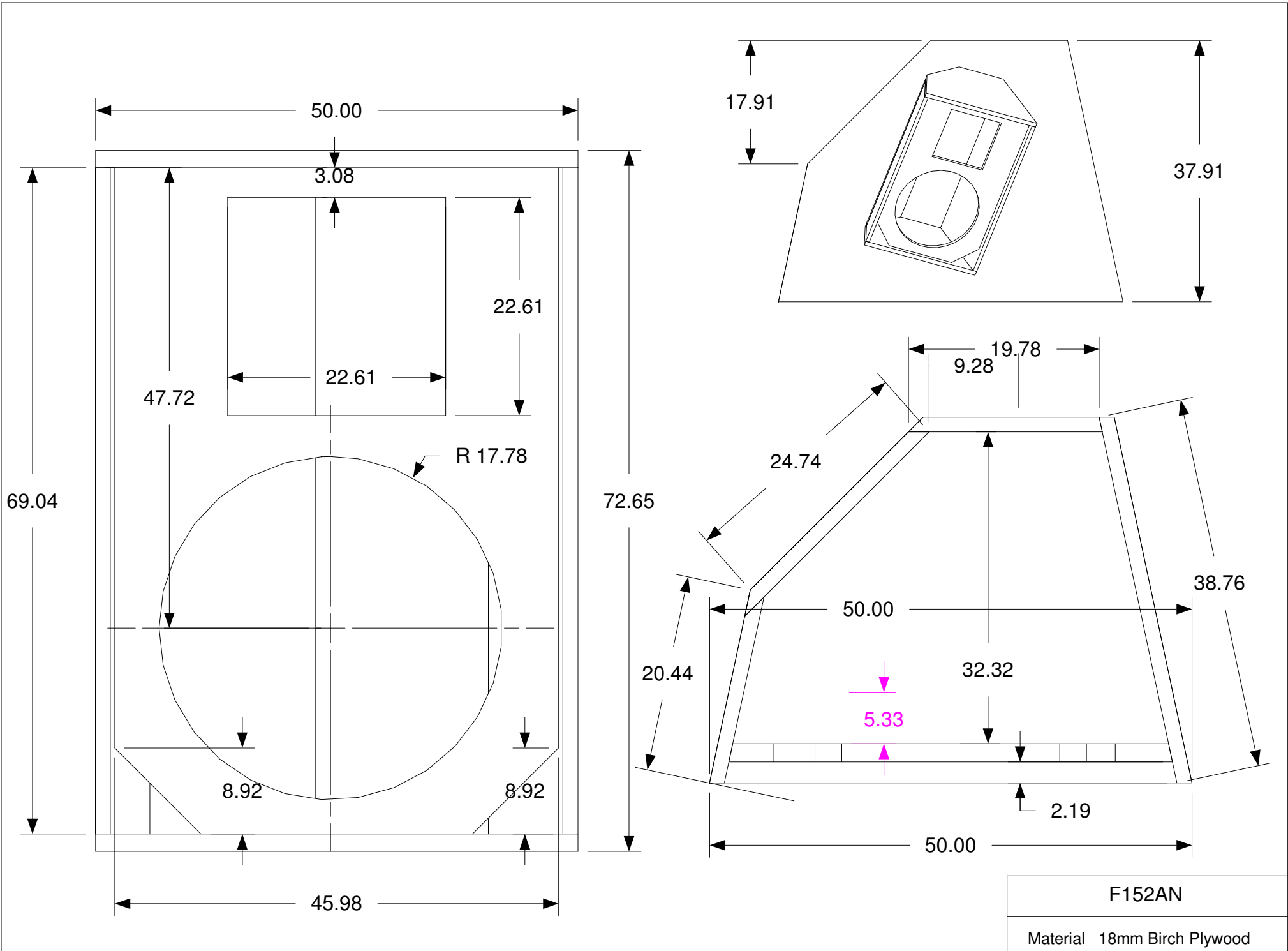
F152AN

— Z + net aug 5 2010.imp

8192 Samples, Frequency Res = 26.2 Hz







F152AN	
Material	18mm Birch Plywood