



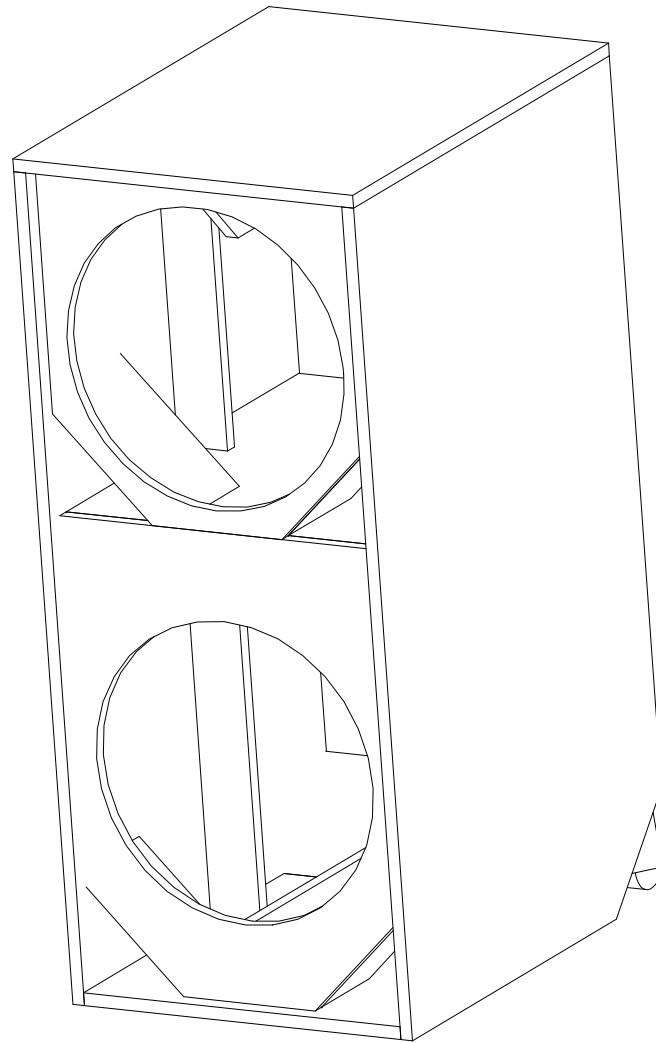
S218AN

Subwoofer

B&C Component Options

2x 18" Neodymium Woofer – 18NW100 8 ohm

www.bcspeakers.com

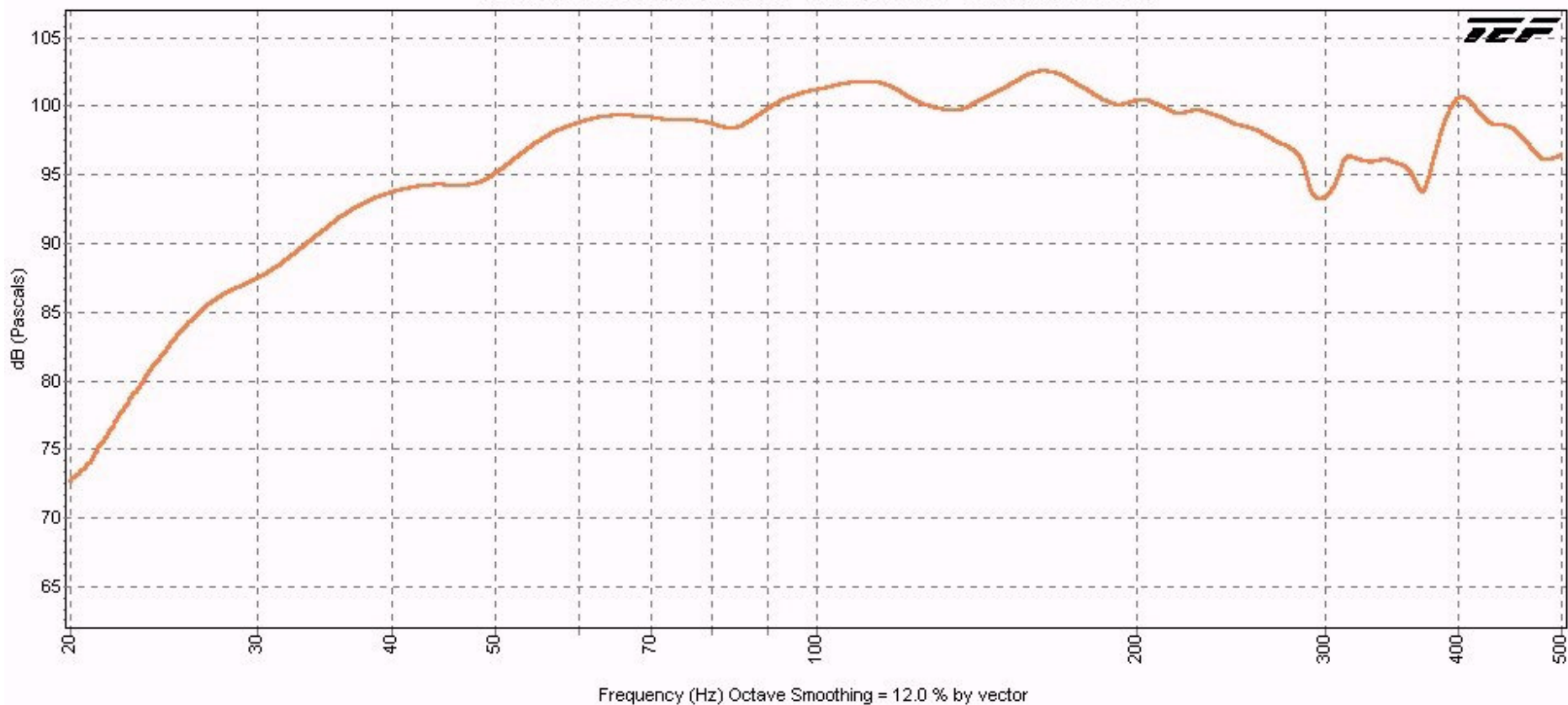


S218AN

Material 18mm Birch Plywood

S218AN

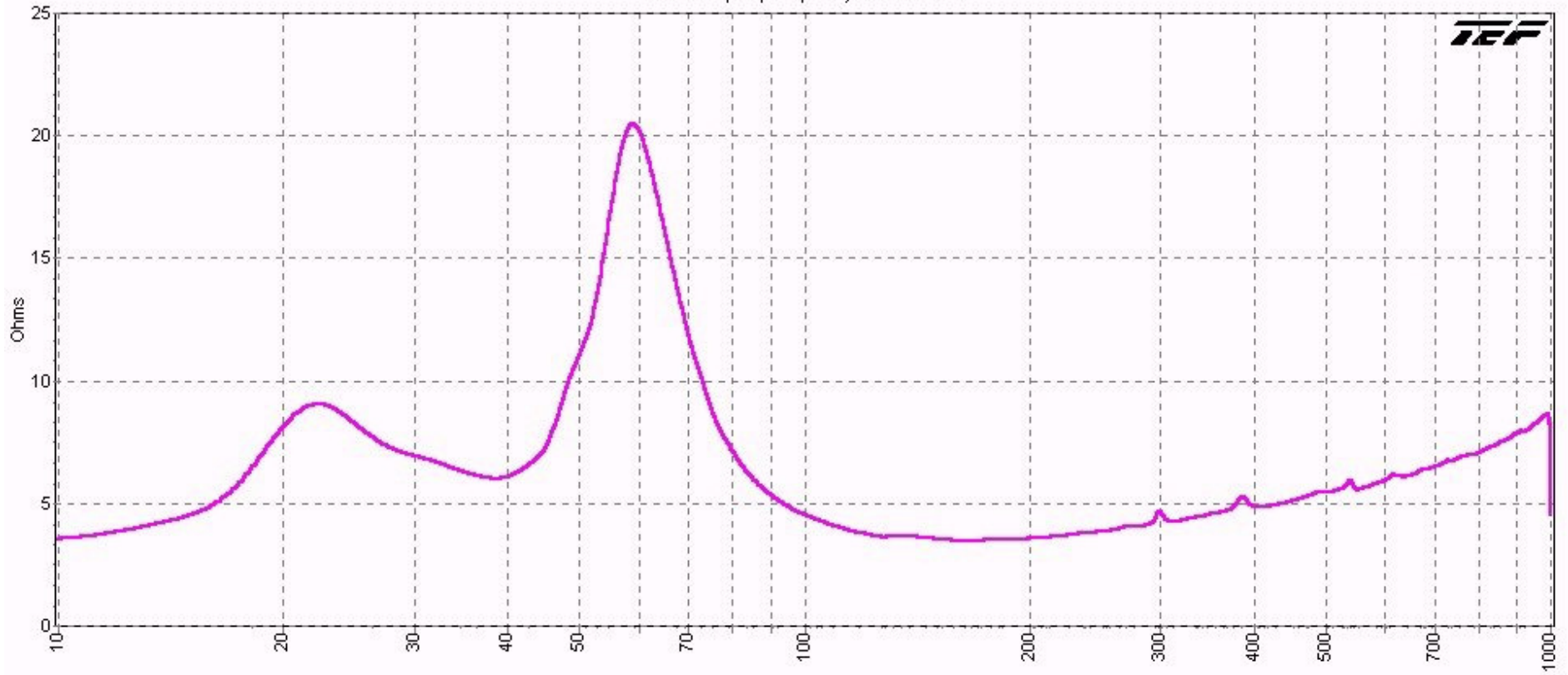
8192 Samples in 34.1 s, Frequency Res = 3.8 Hz, Time Res = 266.67 ms (301.33 feet)



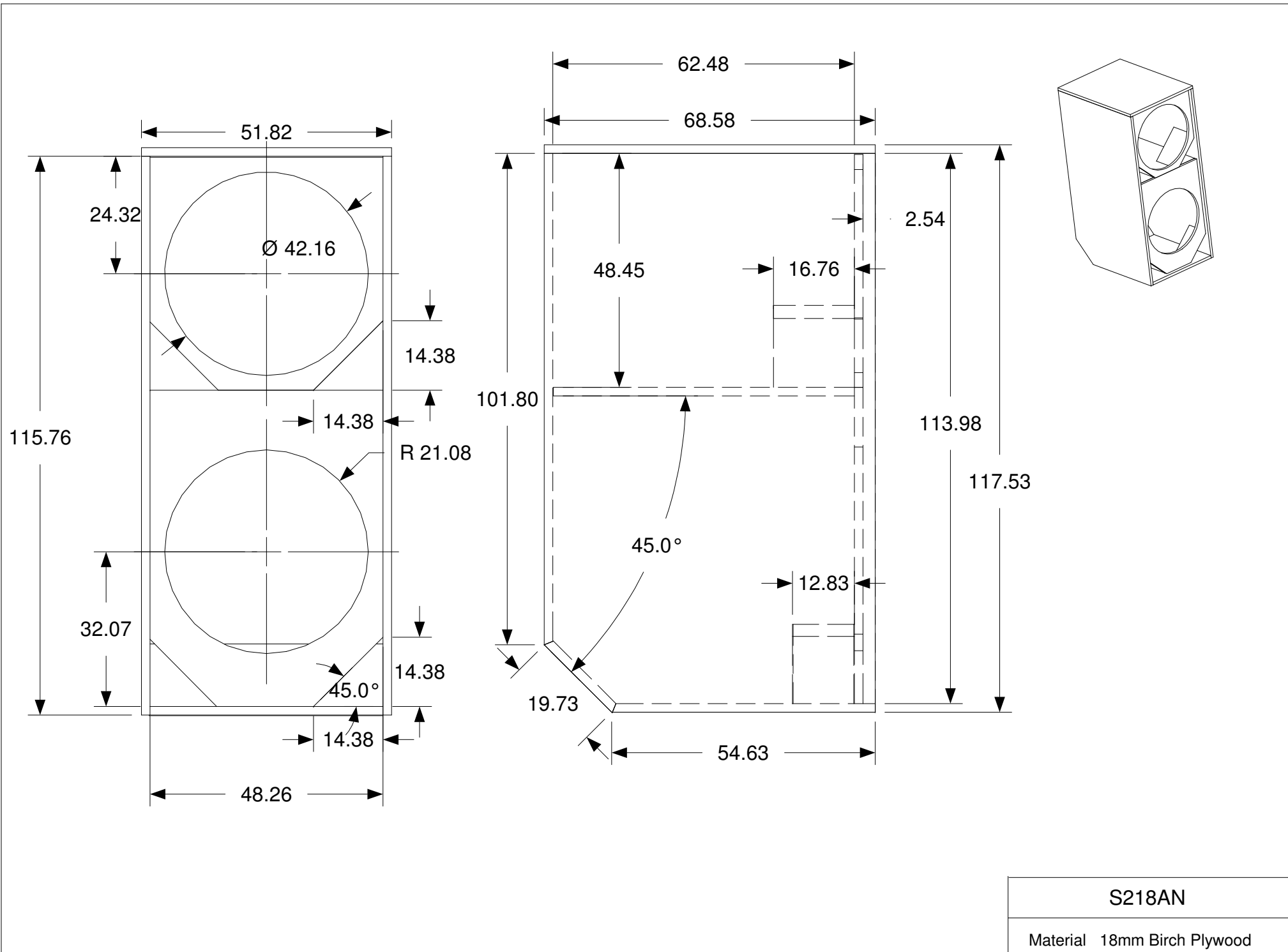
Z.
O
sp

S218AN

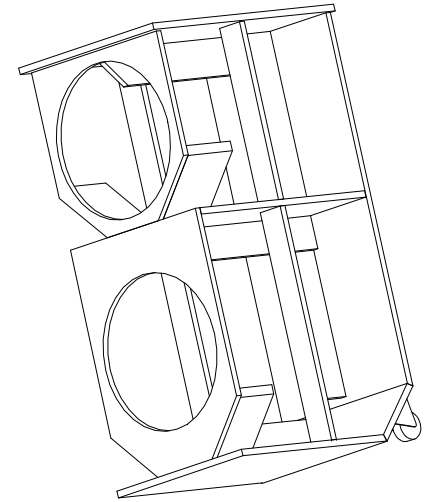
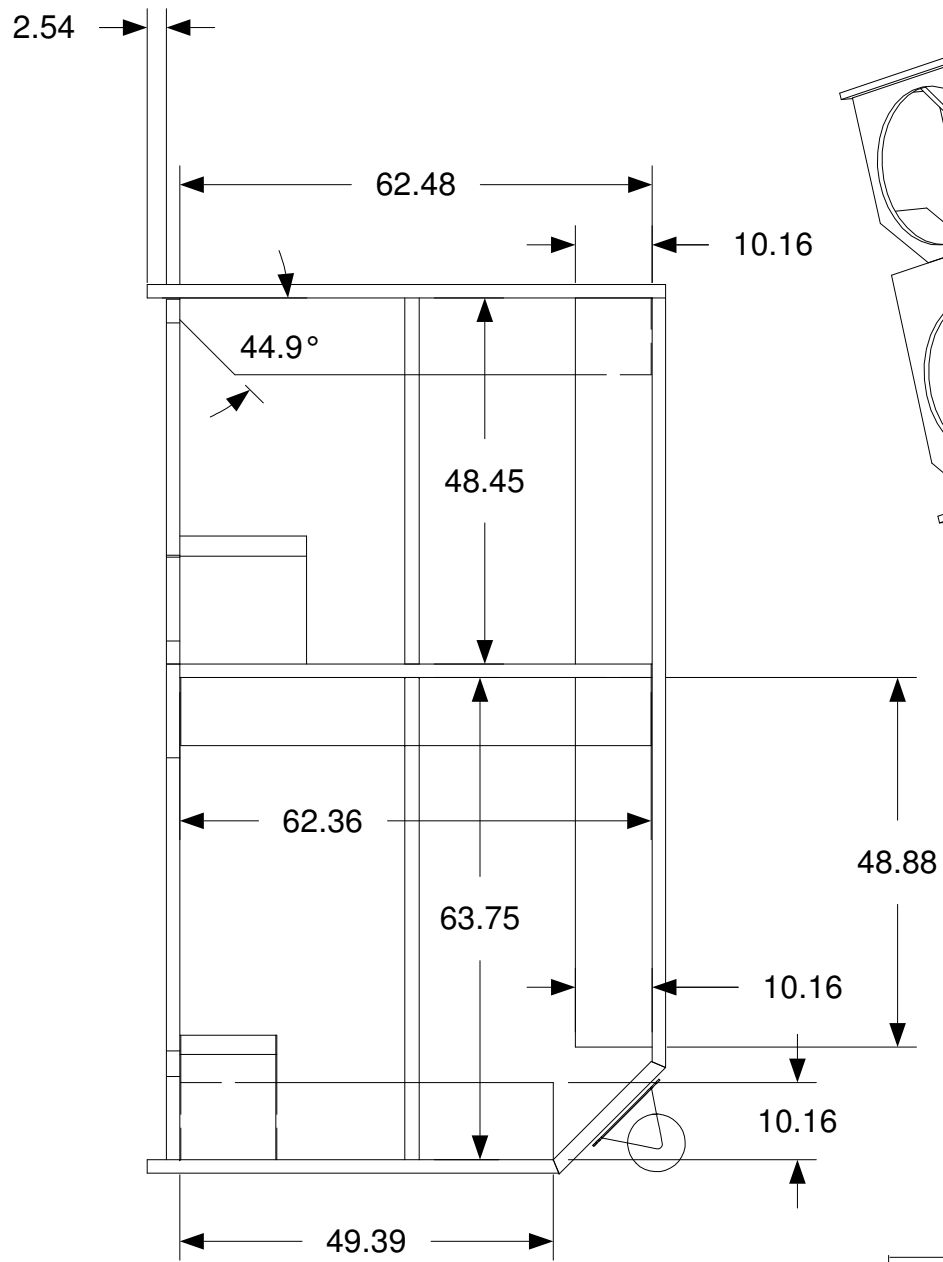
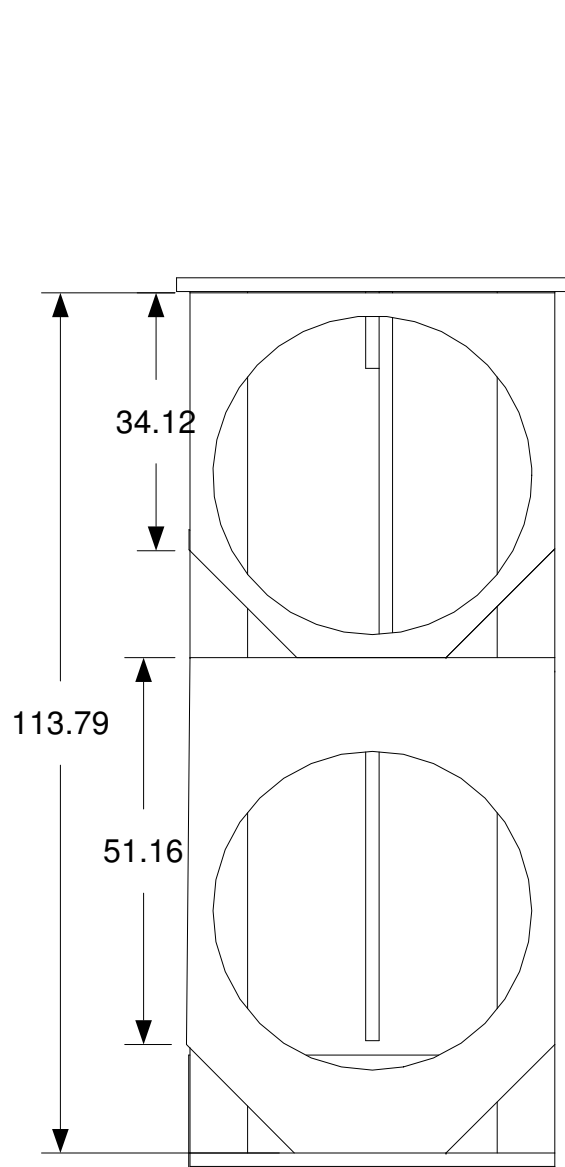
8192 Samples, Frequency Res = 5.8 Hz



Frequency (Hz) Octave Smoothing = 0.0 % by vector



S218AN
Material 18mm Birch Plywood



S218AN BRACE
Material 18mm Birch Plywood