



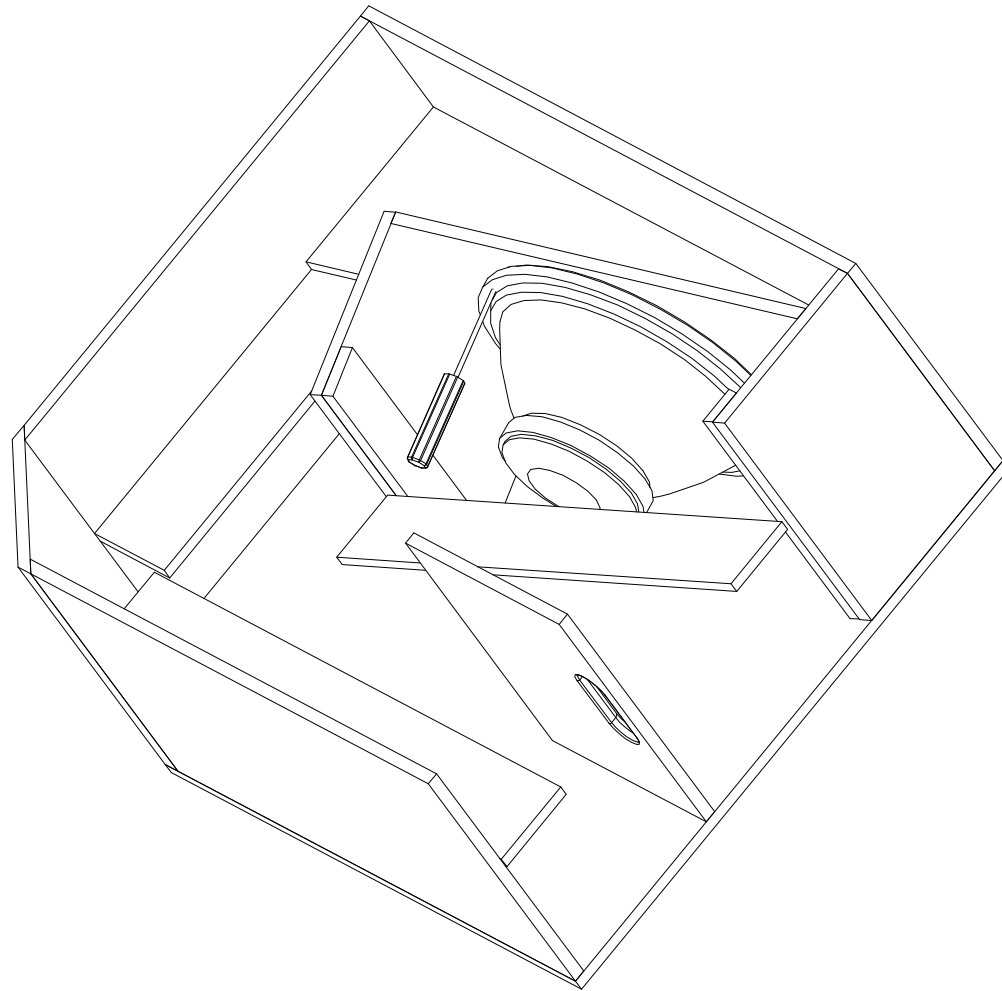
# **S18HXM**

**Subwoofer**

## **B&C Component Options**

18" Woofer – 18XM2400 8 ohm

[www.bcspeakers.com](http://www.bcspeakers.com)

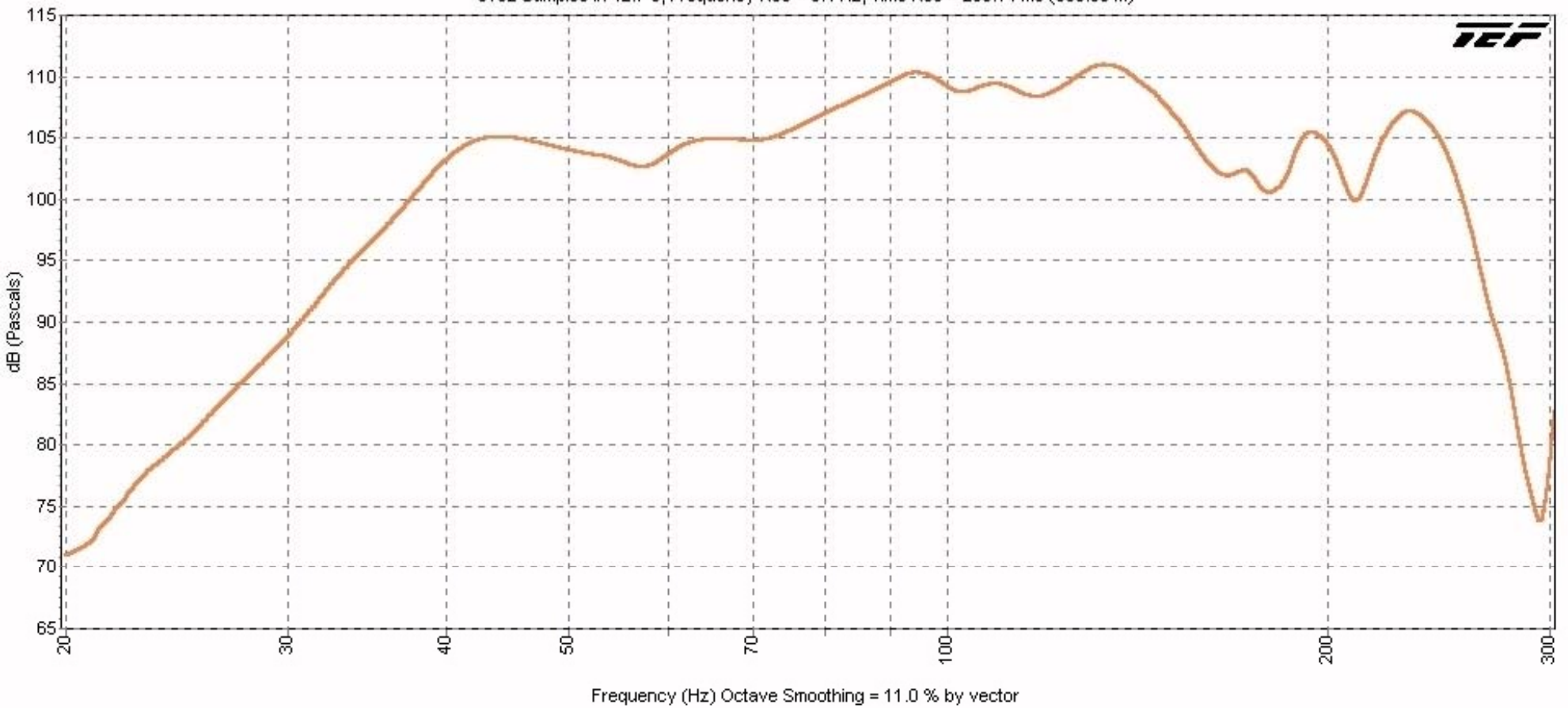


S18H 3D

18mm

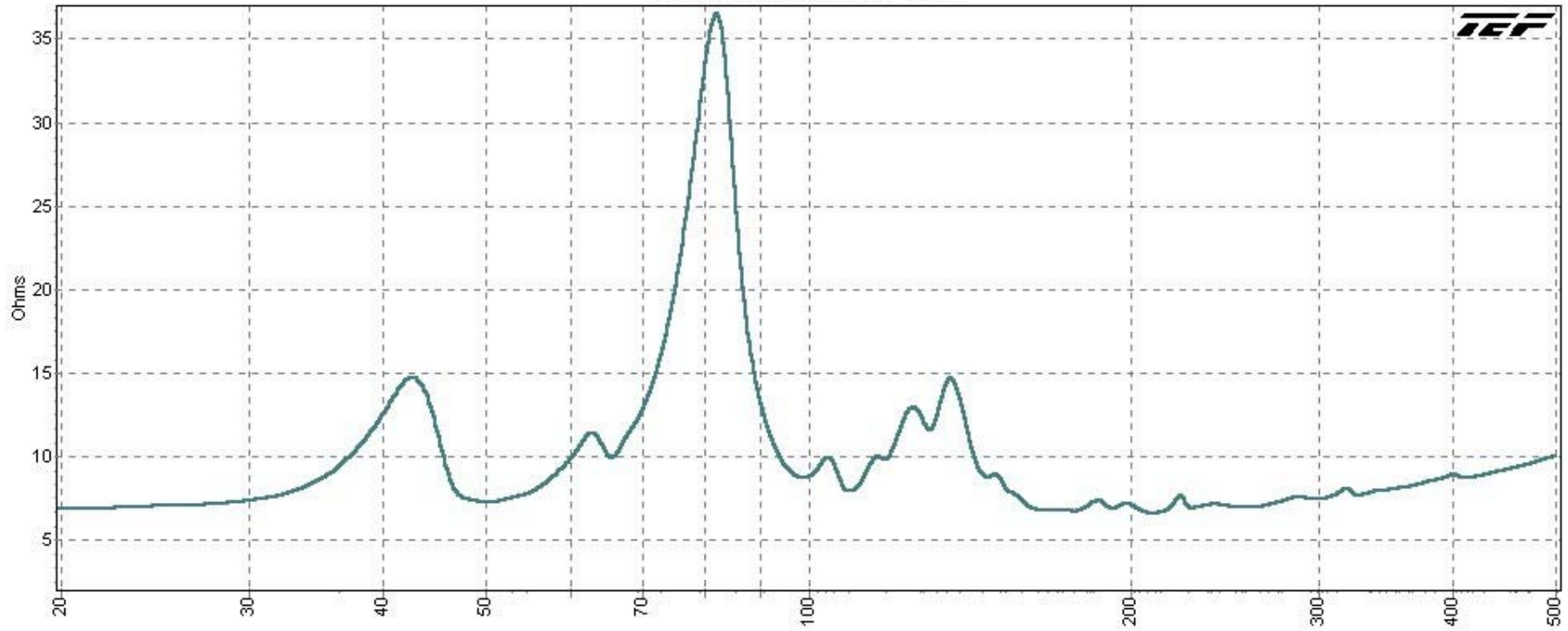
# 18xm2400

8192 Samples in 42.7 s, Frequency Res = 3.4 Hz, Time Res = 298.14 ms (336.88 m)

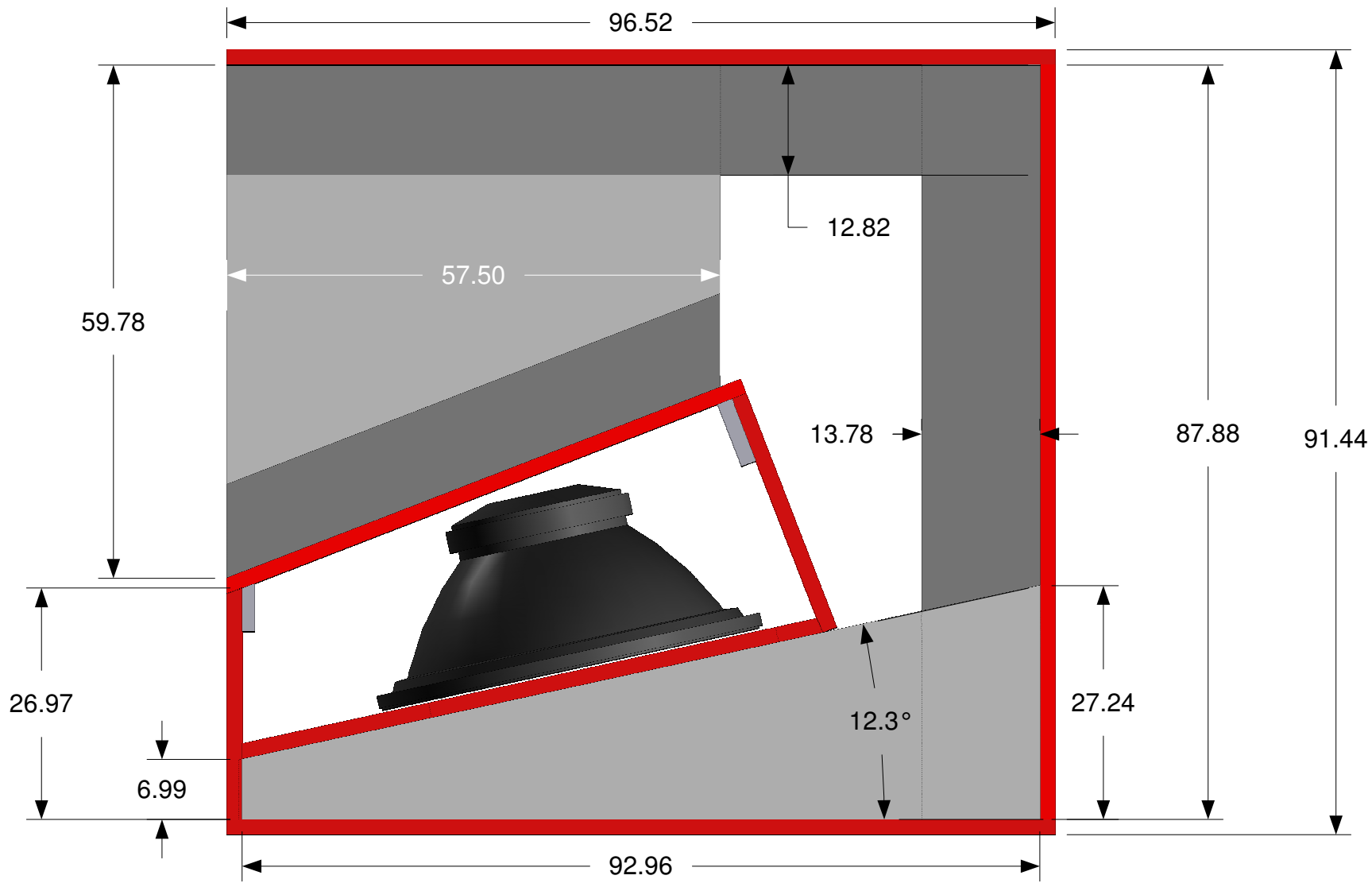


**18xm2400 Z**

4096 Samples, Frequency Res = 3.7 Hz

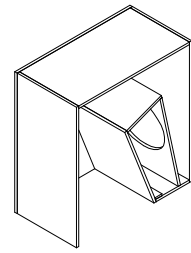
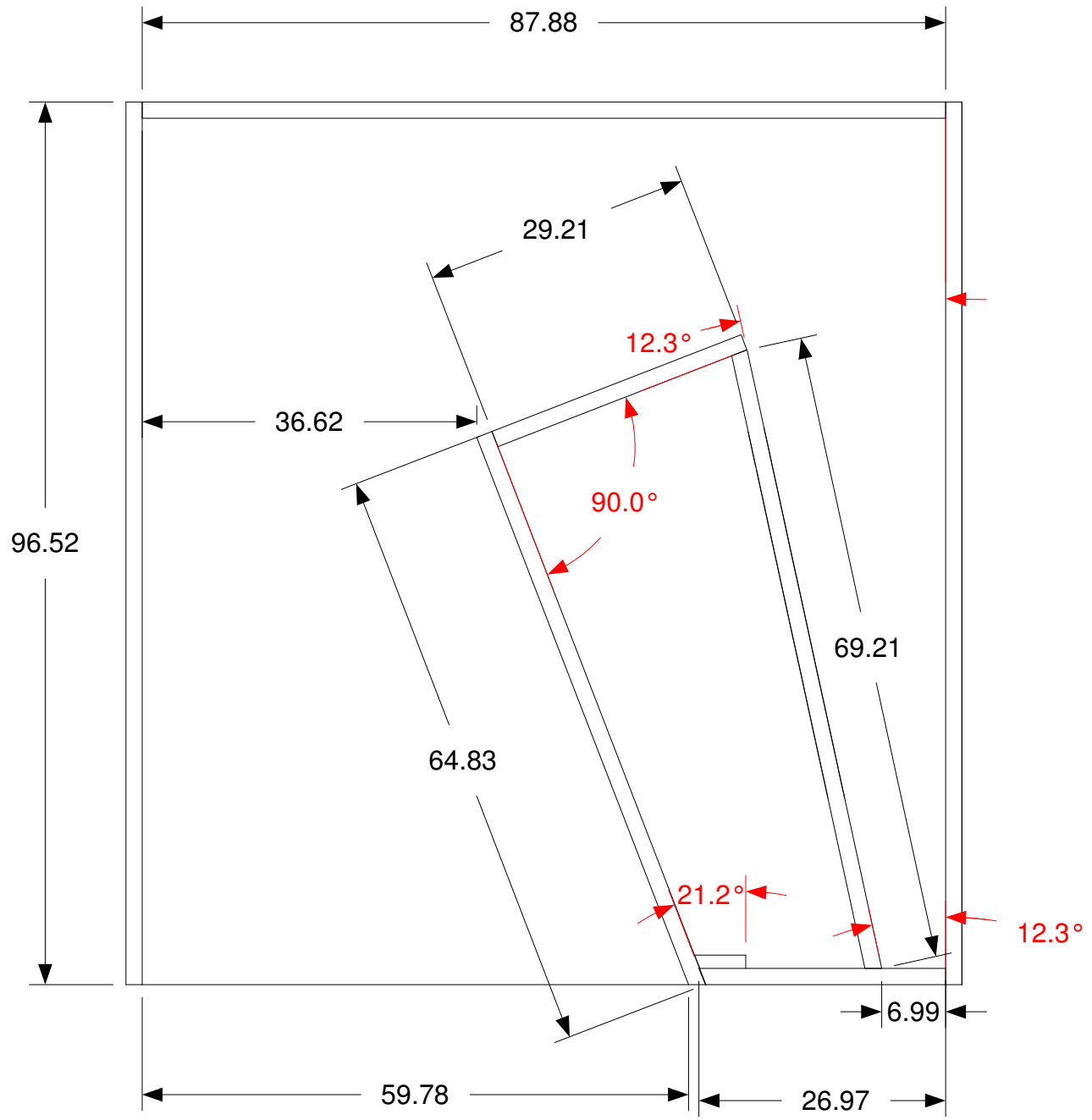


Frequency (Hz) Octave Smoothing = 0.0 % by vector



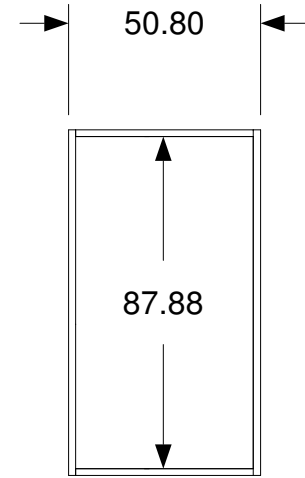
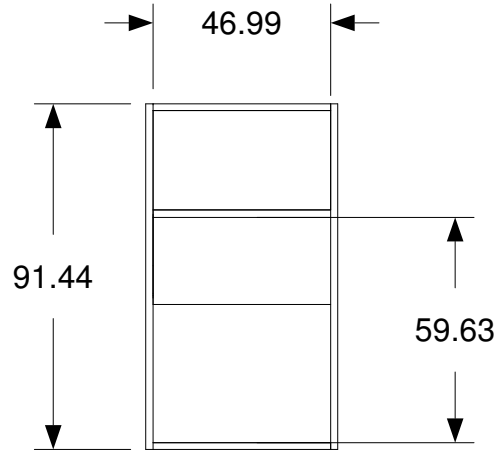
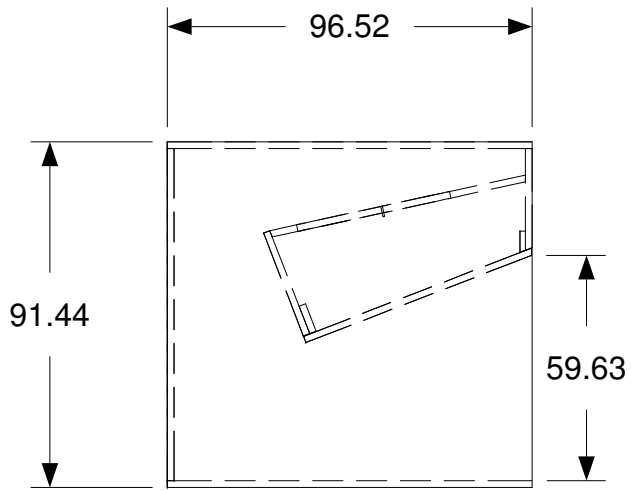
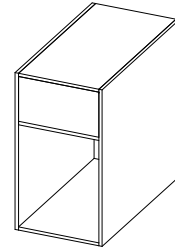
S18H BASSHORN

18mm

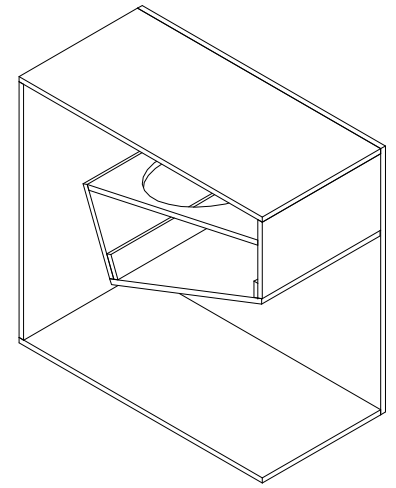
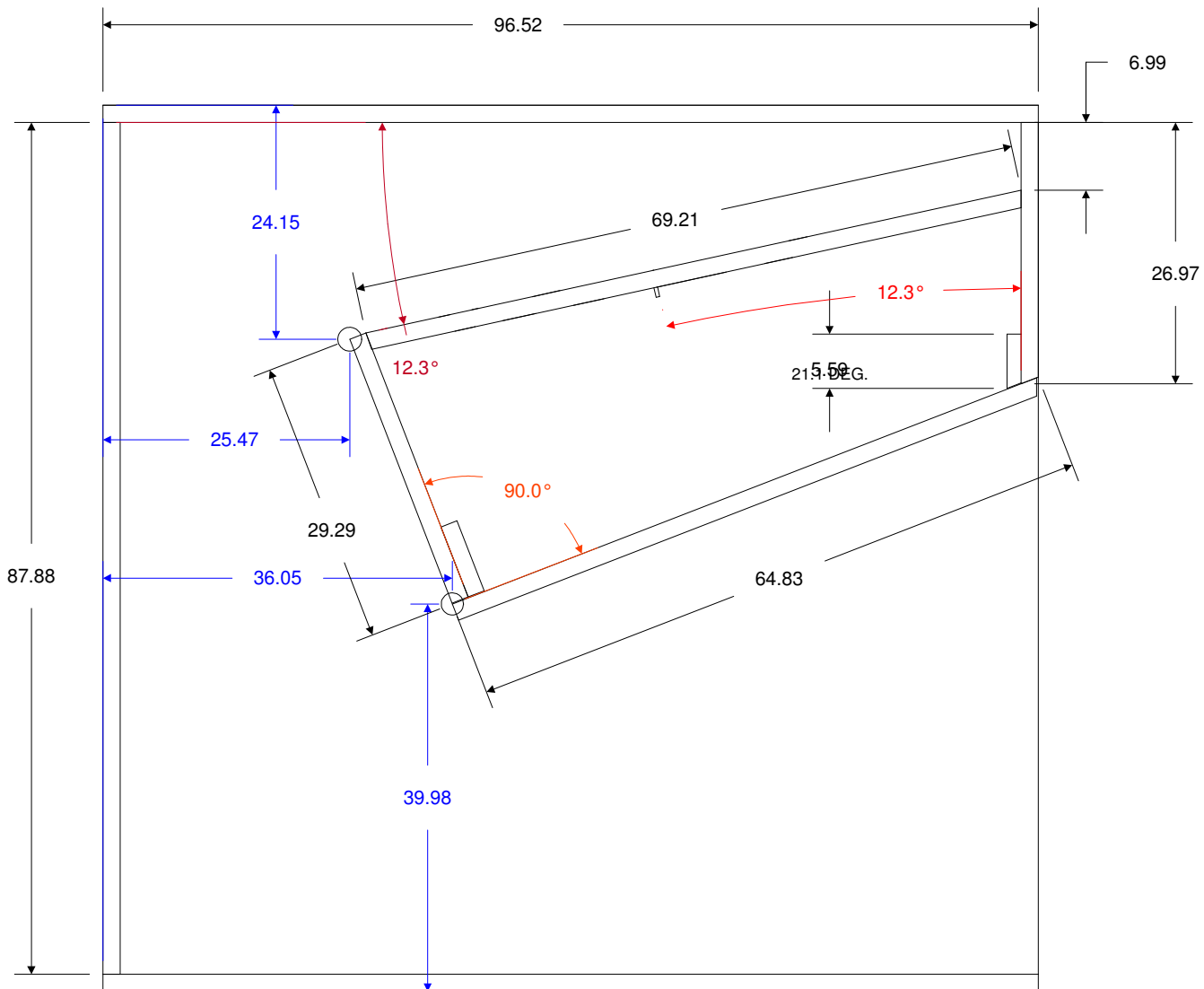


S18H GENERAL DIMS

18mm



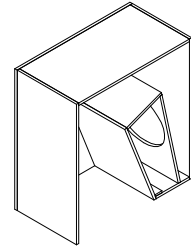
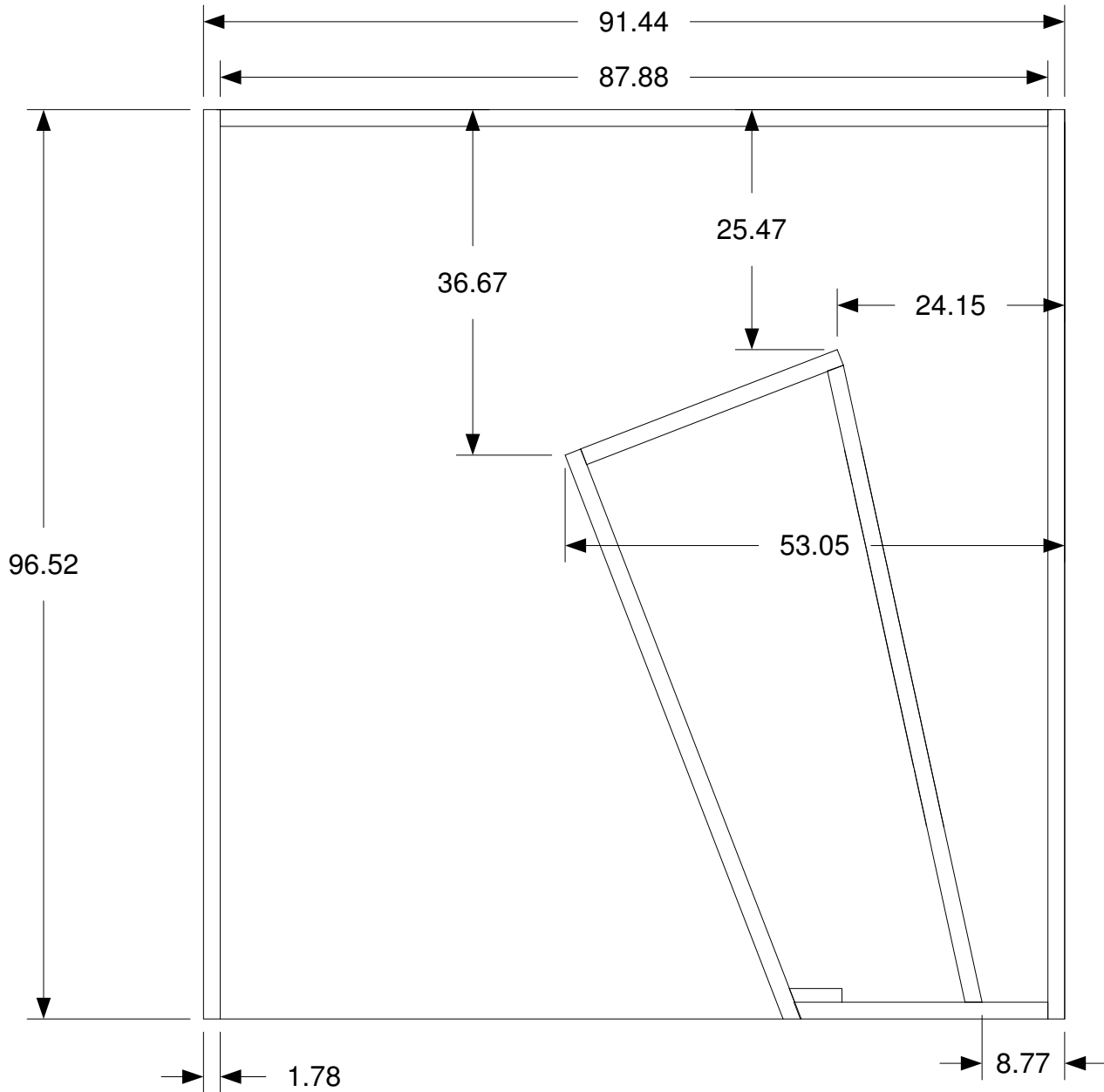
S18H WIDTH
18mm



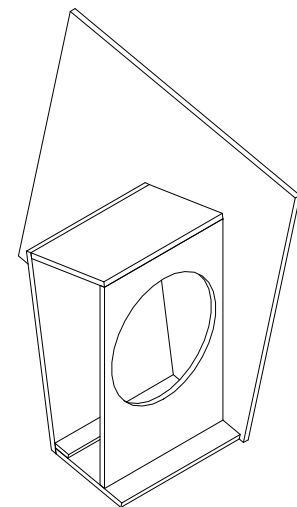
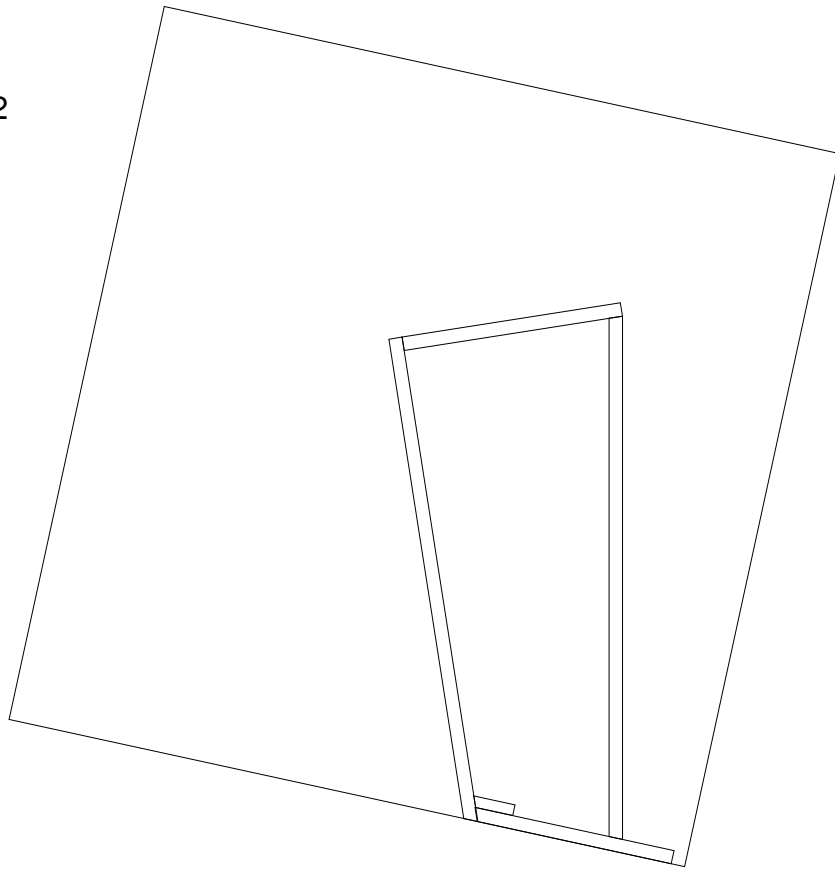
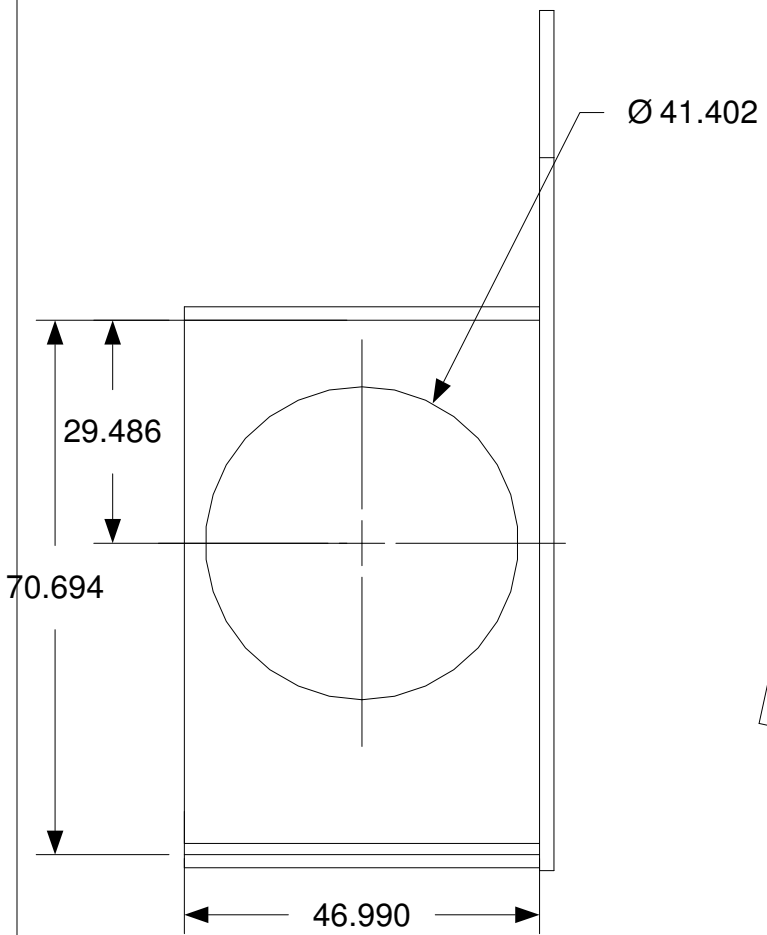
S18H INSIDE DIMS

18mm





S18H LOCATION POINTS
18mm



18mm